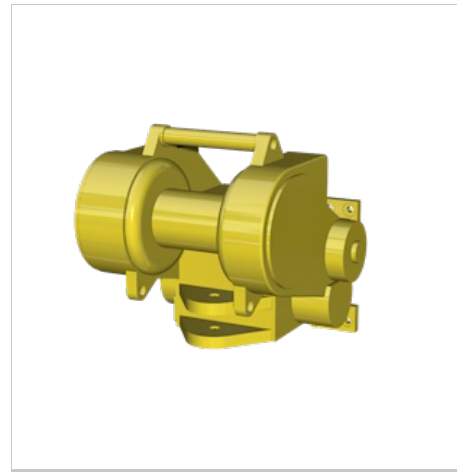


CARCO

50BPS-E00100E CAT D5N2/D6N2 *

Features and Benefits

- Mechanical (PTO) power (available on some units)
- Optimized specifically for use with crawler tractors
- Rigid, cast ductile iron housing for durability
- Integrated Drawbar



Technical Information

Fits Tractor Models	- D5N/D6N 2nd generation
---------------------	--------------------------

Power Input Type	Torque Converter PTO
------------------	----------------------

Control Type	Electronic
--------------	------------

Special Requirement	Filter Relocation
---------------------	-------------------

Performance Data is currently not available online for this item.

Please contact our office for more information on this product.

[Click here for our contact information page](#)

Applications for MODEL 50B (CAT)

- Tail Winch

Resources:

[Sales - LIT2083](#)

[Sales - LIT2335](#)

[Sales - PC-139](#)

[Sales - PC-156](#)

[Sales - PC-273](#)

[Sales - PC-274](#)

[Service - LIT2050](#)

[Service - LIT2055](#)

[Material List - LIT2036](#)

[Material List - LIT2115](#)

[Material List - LIT2612](#)

[Material List - LIT2128](#)

[Material List - LIT2219](#)