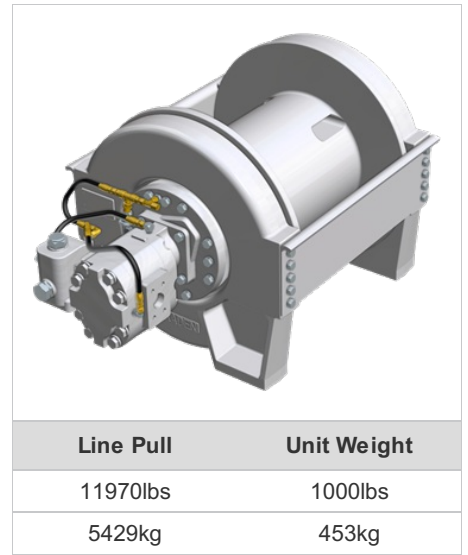


# BRADEN

## CH165A-25090-01

### Features and Benefits

- Auxiliary break available
- Groove drum to help prevent spooling issues (available on some units)
- Sealed, high-efficiency planetary reduction gearing for continuous-duty performance
- Spring-applied multi-disc brake
- Underwind configuration available for clockwise hoisting



### Performance

	Imperial	Metric
Ratio		25.000:1
Motor Displacement	9.020 ci	147.9 cc
Pressure	3000 psi	207.0 bar
Winch Flow	125 gpm	473.2 lpm
Rope Diameter	0.7500 in	19.1 mm
Cable Capacity	416 in	126 mm

Layer	Line Pull (lbs)	Line Speed (fpm)	Line Pull (kg)	Line Speed (mpm)
1	11970	416	5429	127
2	10770	462	4885	141
3	9790	508	4441	155
4	8980	555	4073	170
5	8290	601	3760	184
6	7690	647	3488	198

The last legal layer per ANSI is 6  
D/d = 18:1

### Applications for MODEL CH165

- Crane
- Offshore

#### Resources:

- [Sales - LIT2077](#)
- [Sales - LIT2078](#)
- [Sales - LIT2264](#)
- [Service - LIT2319](#)
- [Material List - LIT2135](#)
- [Material List - LIT2326](#)