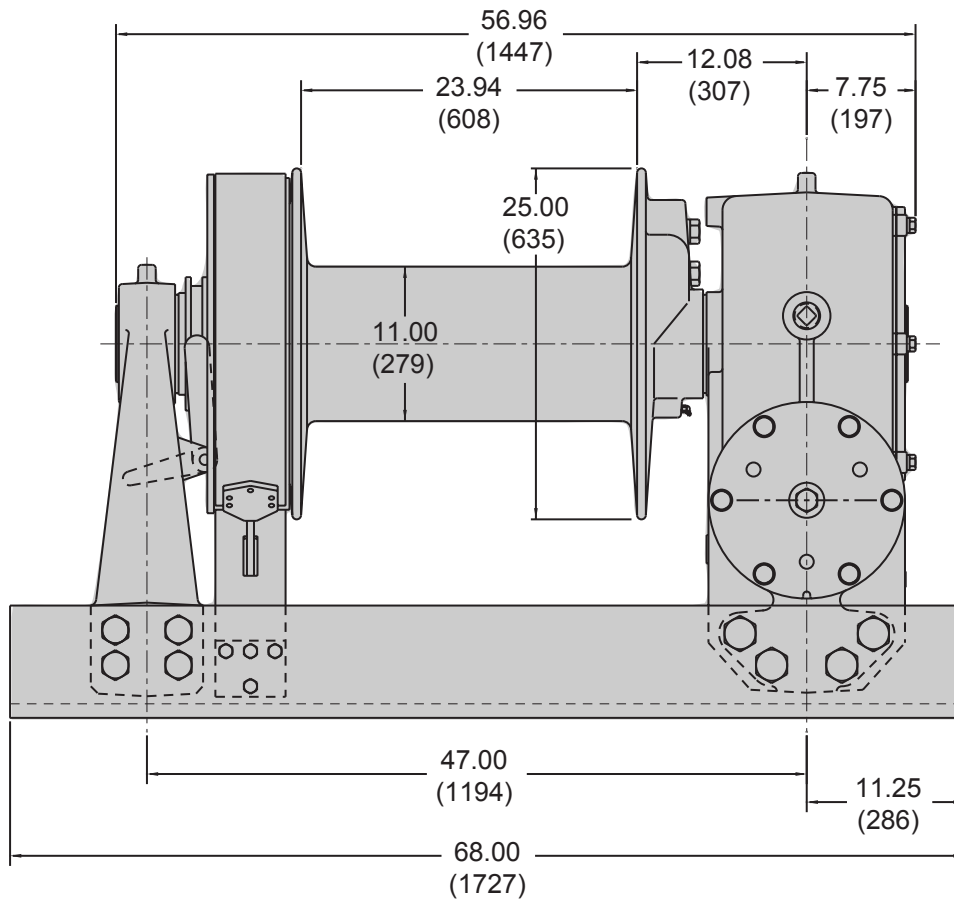


W150A

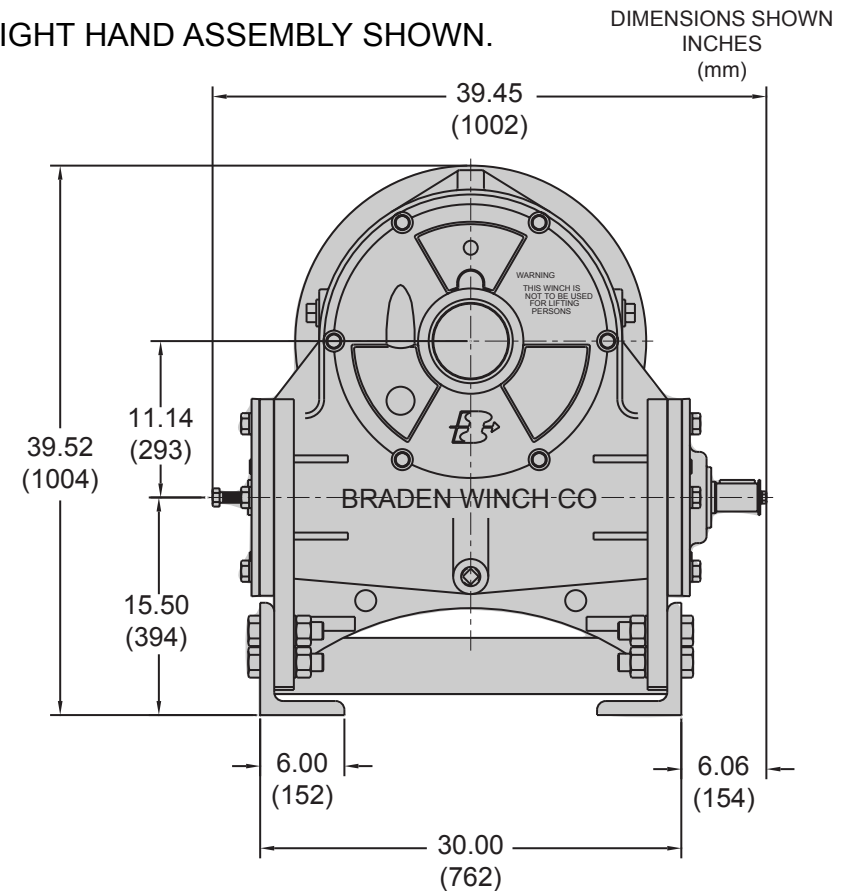
150,000 LB First Layer Line Pull

BRADEN®

DIMENSIONAL INFORMATION



RIGHT HAND ASSEMBLY SHOWN.



- Oversized gear set means less wear and longer life.
- Heat treated drum shaft splined to both worm gear and clutch
- Oil-cooled, fully adjustable automatic worm brake.
- Large diameter band brake with enhanced linkage.
- Combination of worm and planetary drive results in higher efficiency.
- Tested to twice the rated first layer line pull

PACCAR WINCH DIVISION

P.O. Box 547 Broken Arrow, Oklahoma 74013
PHONE: (918) 251-8511 FAX: (918) 259-1575
www.paccarwinch.com

W150A

COMMITMENT

Every process in the design, manufacture and support of BRADEN products is focused on one goal: Providing the highest quality winch, hoist and drive systems in the world.

PACCAR Winch Division is committed to providing the best in product design, durability and reliability. BRADEN products are supported with comprehensive publications, factory service representatives and a world wide distribution network.

Since 1905 PACCAR Inc has provided high quality products and services to numerous markets and countries. Let us put our experience and expertise to work for you.

www.paccarwinch.com

NOTES

Specifications are subject to change without notification and without incurring obligation.

Pressure and flow shown are the maximum allowable for the particular combination of winch, ratio, motor and drum.

Specifications in this publication are theoretical and may vary depending on hydraulic system, environment, etc.

Line pulls are maximum ratings for the winch only.

Wire rope ratings may be lower than the the winch rating.

Consult the wire rope manufacturer for ratings.

WIRE ROPE CAPACITY

ROPE SIZE	LAYER									
	1		2		3		4		5	
in.	ft	(m)	ft	(m)	ft	(m)	ft	(m)	ft	(m)
1 1/4	55	(17)	122	(37)	200	(60)	289	(87)	390	(118)
1 1/2	47	(15)	106	(33)	175	(55)	256	(80)		

WIRE ROPE CAPACITY SHOWN IS 90% OF THEORITICAL

PERFORMANCE INFORMATION

1 1/4 in. WIRE ROPE

LAYER	LINE PULL		LINE SPEED		ROPE CAPACITY	
					24 in. Drum	
	(lbs)	(kg)	(fpm)	(mpm)	(ft)	(m)
1	150,000	68,040	15	5	55	17
2	124,575	56,450	18	5	122	37
3	106,520	48,230	21	6	200	60
4	93,035	42,100	24	7	289	87
5	82,585	37,350	27	8	390	118

MECHANICAL REQUIREMENTS:

Static Input Torque		Dynamic Input Torque		Max Input
lb-in	N-m	lb-in	N-m	RPM
35,688	4,033	27,400	3,096	300

ENGINEERING DATA

Rated Working Load (Max. Load, First Layer).....	150,000 lbs. (68,040 kg)
Breaking Strength (First Layer).....	300,000 lbs. (136,080 kg)
Worm Gear Ratio.....	29:1
Drum Shaft Diameter.....	5.75" (146 mm)
Drum Barrel Diameter.....	11" (279 mm)
Maximum Input RPM @ Rated Load.....	300
Starting Input Torque (Static).....	35,688 lb-in (4033 N-m)
Input Torque To Operate Winch (Dynamic).....	27,400 lb-in (3096 N-m)
Planetary Reduction.....	2.22:1
Total Reduction.....	64.44:1
Weight - (winch only).....	3,200 lbs. (1451 kg)

⚠ WARNING ⚠

The products described herein are neither designed nor intended for use or application to equipment used in lifting or moving of persons.

⚠ WARNING ⚠

A minimum of 5 wraps of wire rope must be left on the drum to prevent the load from being supported by the wire rope anchor alone. Since the wire rope anchor is not designed to hold the rated load, failure to leave 5 wraps of wire rope on the drum could cause the load to drop, which could result in property damage, personal injury or death.

W150A