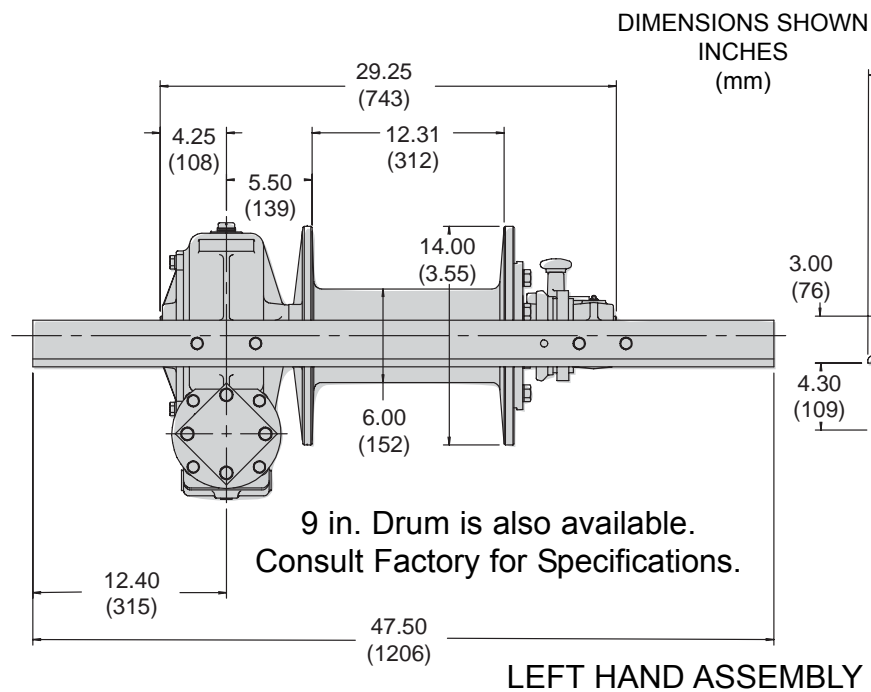


AHSU10 / AMSU10

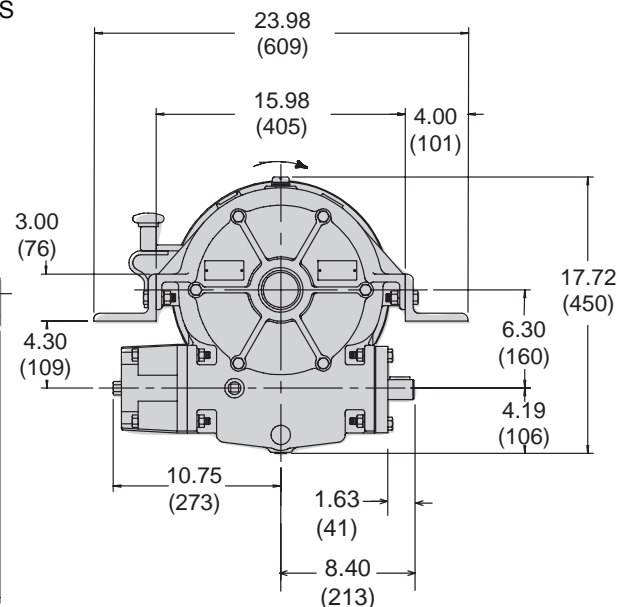
30,000 LB First Layer Line Pull

BRADEN®

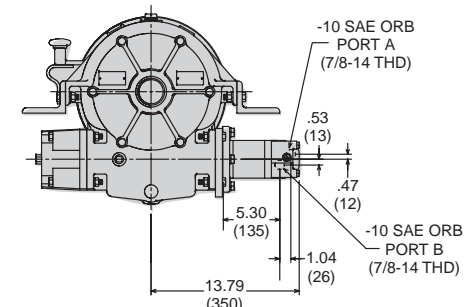
DIMENSIONAL INFORMATION



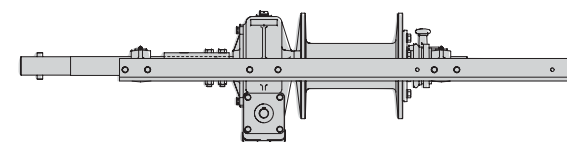
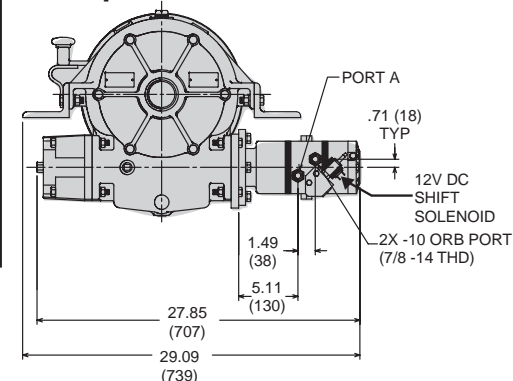
Mechanical Drive



Single Speed Motor



2-Speed Motor



OPTIONAL EXTENSION SHAFT MODELS
SEE LIT2030 FOR SPECIFICATIONS

PACCAR WINCH DIVISION

P.O. Box 547 Broken Arrow, Oklahoma 74013
PHONE: (918) 251-8511 FAX: (918) 259-1575
www.paccarwinch.com

- Tested in compliance with SAE Specification J706.
- High-strength aluminum bronze worm gear for long gear life.
- Rugged and compact design.
- Oil-cooled, fully adjustable automatic worm brake.
- Tapered roller bearings provide extra capacity in carrying worm thrust and radial loads.
- Heat treated alloy steel drum shaft for extra load capacity.
- Free spool clutch with negative draft jaws for positive engagement under load.

PERFORMANCE INFORMATION

Single Speed Performance

24.0 cu in. (393 cc)
2,800 Δ psi (193 Δ bar) @ 35 gpm (132 lpm)

WIRE ROPE						
LAYER	LINE PULL		LINE SPEED		ROPE CAPACITY	
	(lbs)	(kg)	(fpm)	(mpm)	(ft)	(m)
1	30,000	13,635	17	5.2	37	11.3
2	25,240	11,472	20	6.1	83	25.3
3	21,780	9,899	23	7.0	140	42.7
4	19,160	8,708	27	8.2	200	61.0
5	17,100	7,772	30	9.2	270	82.4
6	15,440	7,017	33	10.1	350	106.8

⚠ WARNING ⚠
The products described herein are neither designed nor intended for use or application to equipment used in lifting or moving of persons.

⚠ WARNING ⚠
A minimum of 5 wraps of wire rope must be left on the drum to prevent the load from being supported by the wire rope anchor alone. Since the wire rope anchor is not designed to hold the rated load, failure to leave 5 wraps of wire rope on the drum could cause the load to drop, which could result in property damage, personal injury or death.

2-Speed Performance

25.8/12.9 cu in. (423/211 cc)
2,300 Δ psi (159 Δ bar) @ 30 gpm (114 lpm)

Layer	Low Speed				High Speed			
	LINE PULL		LINE SPEED		LINE PULL		LINE SPEED	
	(lbs)	(kg)	(fpm)	(mpm)	(lbs)	(kg)	(fpm)	(mpm)
1	30,000	13,500	12	3.6	13,500	6,100	25	7.5
2	25,200	11,300	15	4.5	11,400	5,100	30	9.0
3	21,800	9,800	17	5.1	9,800	4,400	34	10.2
4	19,200	8,600	20	6.0	8,600	3,900	39	11.7
5	17,100	7,700	22	6.6	7,700	3,500	44	13.2
6	15,400	6,900	24	7.2	6,900	3,100	49	14.7

WIRE ROPE CAPACITY

ROPE SIZE	LAYER															
	1		2		3		4		5		6		7		8	
in.	ft	(m)	ft	(m)	ft	(m)	ft	(m)	ft	(m)	ft	(m)	ft	(m)	ft	(m)
3/4	26	7.9	57	17.4	94	28.7	137	41.8	186	56.7						
5/8	30	9.1	66	20.1	108	32.9	156	47.5	209	63.7	268	81.7				
9/16	33	10.1	72	21.9	117	35.7	168	51.2	225	68.6	287	87.5	355	108.2	429	130.8

WIRE ROPE CAPACITY IS 90% OF THEORITICAL.

PERFORMANCE FORMULAS

LINE PULL AT LOWER PRESSURE

$$\frac{\text{YOUR SYSTEM PRESSURE}}{\text{MAXIMUM PRESSURE (FROM CHART)}} \times \text{LINE PULL FROM CHART} = \text{LINE PULL ESTIMATE}$$

LINE SPEED AT LOWER FLOW

$$\frac{\text{YOUR SYSTEM FLOW}}{\text{MAXIMUM FLOW (FROM CHART)}} \times \text{LINE SPEED FROM CHART} = \text{LINE SPEED ESTIMATE}$$

ENGINEERING DATA

Worm Gear Ratio.....33:1
Drum Barrel Diameter.....6" (150 mm)
Oil Capacity.....4.5 pints
Input Shaft Diameter.....1.25 in. (31.75 mm)
Weight - (Winch Only).....450 lbs. (204 kg)

MECHANICAL REQUIREMENTS:

Static Input Torque		Dynamic Input Torque		Max Input*
lb-in	N-m	lb-in	N-m	RPM
8,070	912	6,140	694	330

* AT RATED LOAD

NOTES

Specifications are subject to change without notification and without incurring obligation.
Pressure and flow shown are the maximum allowable for the particular combination of winch, ratio, motor and drum.
Specifications in this publication are theoretical and may vary depending on hydraulic system, environment, etc.
Line pulls are maximum ratings for the winch only.
Wire rope ratings may be lower than the the winch rating.
Consult the wire rope manufacturer for ratings.