

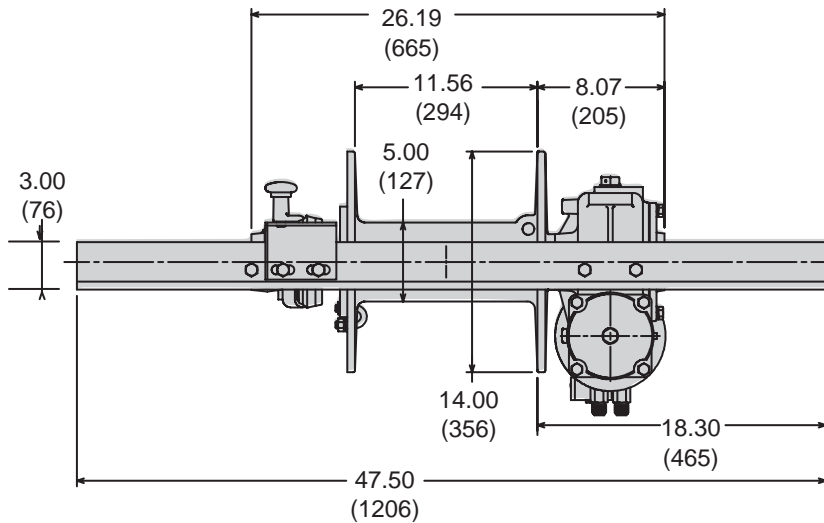
# AHGU5 / AMGU5

## 20,000 LB First Layer Line Pull

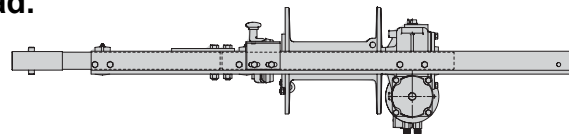
# BRADEN®

### DIMENSIONAL INFORMATION

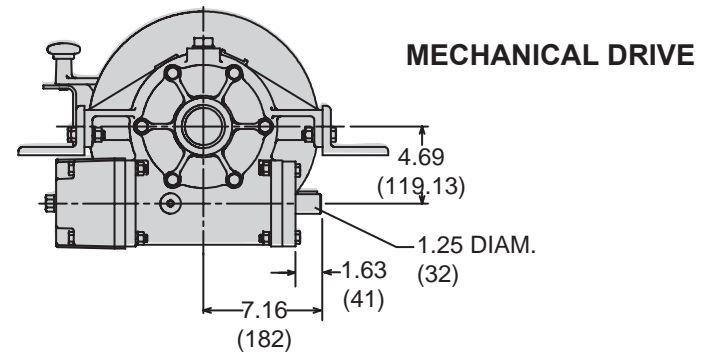
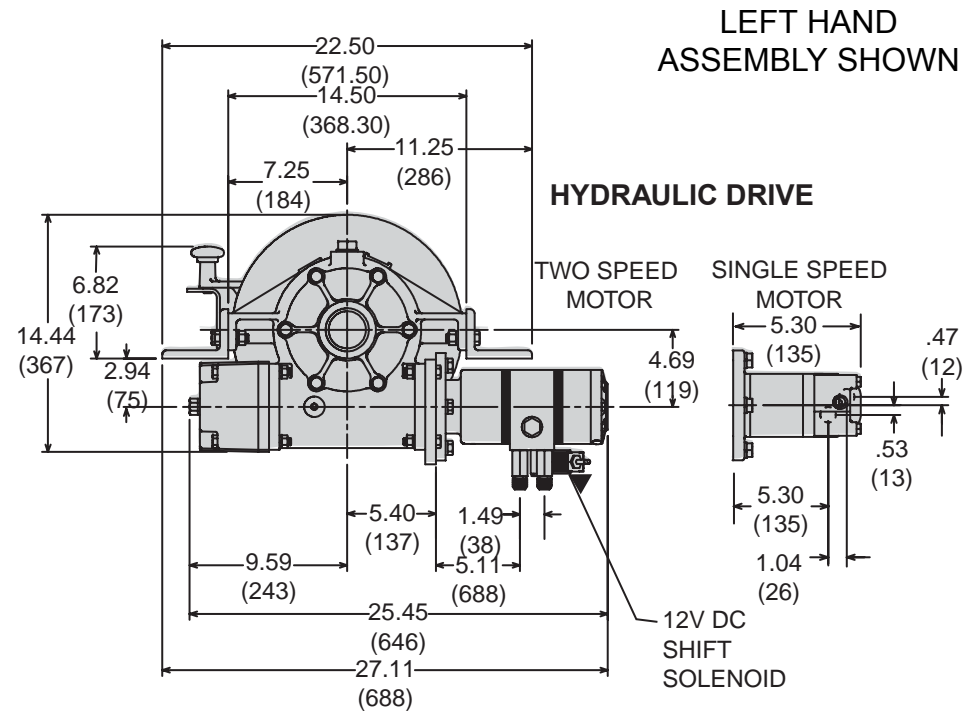
DIMENSIONS SHOWN  
INCHES  
(mm)



- Rated in compliance with SAE Specification J706.
- Rugged and compact design.
- Oil-cooled, fully adjustable automatic worm brake.
- Large capacity ductile iron cable drum with a bolted clutch plate.
- Ground and polished, heat treated alloy steel drum shaft.
- Freespool clutch with negative draft jaws for positive engagement under load.



OPTIONAL EXTENSION SHAFT MODELS  
SEE LIT2031 FOR SPECIFICATIONS



### PACCAR WINCH DIVISION

P.O. Box 547 Broken Arrow, Oklahoma 74013  
PHONE: (918) 251-8511 FAX: (918) 259-1575  
[www.paccarwinch.com](http://www.paccarwinch.com)

**PERFORMANCE INFORMATION**

**Single Speed Performance**

24.0 cu in. (390 cc)  
2,500 Δ psi (172 Δ bar) @ 45 gpm (170 lpm)

LAYER	LINE PULL		LINE SPEED		ROPE CAPACITY	
	(lbs)	(kg)	(fpm)	(mpm)	(ft)	(m)
1	20,000	(9072)	28	(8.5)	25	(7.6)
2	16,360	(7421)	35	(10.7)	56	(17.0)
3	13,850	(6282)	41	(12.5)	92	(28.1)
4	12,000	(5443)	47	(14.3)	134	(40.8)
5	10,590	(4804)	54	(16.5)	182	(55.5)
6	9,470	(4295)	60	(18.3)	235	(71.6)
7	8,570	(3887)	66	(20.1)	294	(89.6)

**2-Speed Performance**

25.8/12.9 cu in. (423/211 cc)  
2,000 Δ psi (138 Δ bar) @ 30 gpm (114 lpm)

LAYER	Low Speed				High Speed			
	LINE PULL		LINE SPEED		LINE PULL		LINE SPEED	
	(lbs)	(kg)	(fpm)	(mpm)	(lbs)	(kg)	(fpm)	(mpm)
1	20,000	9,000	17	5.1	8,800	4,000	34	10.2
2	16,400	7,400	21	6.3	7,200	3,200	42	12.6
3	13,900	6,300	25	7.5	6,100	2,700	49	14.7
4	12,000	5,400	28	8.4	5,300	2,400	57	17.1
5	10,600	4,800	32	9.6	4,700	2,100	64	19.2
6	9,500	4,300	36	10.8	4,200	1,900	72	21.6
7	8,600	3,900	40	12.0	3,800	1,700	79	23.7

**▲ WARNING ▲**

A minimum of 5 wraps of wire rope must be left on the drum to prevent the load from being supported by the wire rope anchor alone. Since the wire rope anchor is not designed to hold the rated load, failure to leave 5 wraps of wire rope on the drum could cause the load to drop, which could result in property damage, personal injury or death.

**▲ WARNING ▲**

The products described herein are neither designed nor intended for use or application to equipment used in lifting or moving of persons.

**ENGINEERING DATA**

Worm Gear Ratio.....21:1  
Input Shaft Diameter.....1.25" (31.75 mm)  
Drum Barrel Diameter.....5.0" (127 mm)  
Oil Capacity.....2 pints  
Weight - (winch only).....325 lbs (147 kg)  
Weight - (w/ hydraulic motor).....346 lbs (157 kg)

**MECHANICAL REQUIREMENTS:**

Static Input Torque		Dynamic Input Torque		Max Input
lb-in	N-m	lb-in	N-m	RPM
7,056	(797)	5,352	(605)	400

Specifications are subject to change without notification and without incurring obligation.

Pressure and flow shown are the maximum allowable for the particular combination of winch, ratio, motor and drum.

Specifications in this publication are theoretical and may vary depending on hydraulic system, environment, etc.

Line pulls are maximum ratings for the winch only.

Wire rope ratings may be lower than the the winch rating.

**WIRE ROPE CAPACITY**

ROPE SIZE	LAYER																			
	1		2		3		4		5		6		7		8		9		10	
	ft	(m)	ft	(m)	ft	(m)	ft	(m)	ft	(m)	ft	(m)	ft	(m)	ft	(m)	ft	(m)	ft	(m)
<b>7/16</b>	35	10.7	75	22.8	121	36.9	173	52.7	230	70.1	293	89.3	362	110.3	436	132.9	516	157.3	602	183.5
<b>1/2</b>	31	9.5	67	20.4	109	33.2	157	47.8	210	64.0	269	82.0	334	101.8	404	123.1	480	146.3		
<b>9/16</b>	27	8.2	60	18.3	99	30.2	143	43.6	193	58.8	249	75.9	310	94.5	377	114.9				
<b>5/8</b>	25	7.6	56	17.0	92	28.1	134	40.8	182	55.5	235	71.6	294	89.6						

**PERFORMANCE FORMULAS**

**LINE PULL AT LOWER PRESSURE**

$$\frac{\text{YOUR SYSTEM PRESSURE}}{\text{MAXIMUM PRESSURE (FROM CHART)}} \times \text{LINE PULL FROM CHART} = \text{LINE PULL ESTIMATE}$$

**LINE SPEED AT LOWER FLOW**

$$\frac{\text{YOUR SYSTEM FLOW}}{\text{MAXIMUM FLOW (FROM CHART)}} \times \text{LINE SPEED FROM CHART} = \text{LINE SPEED ESTIMATE}$$