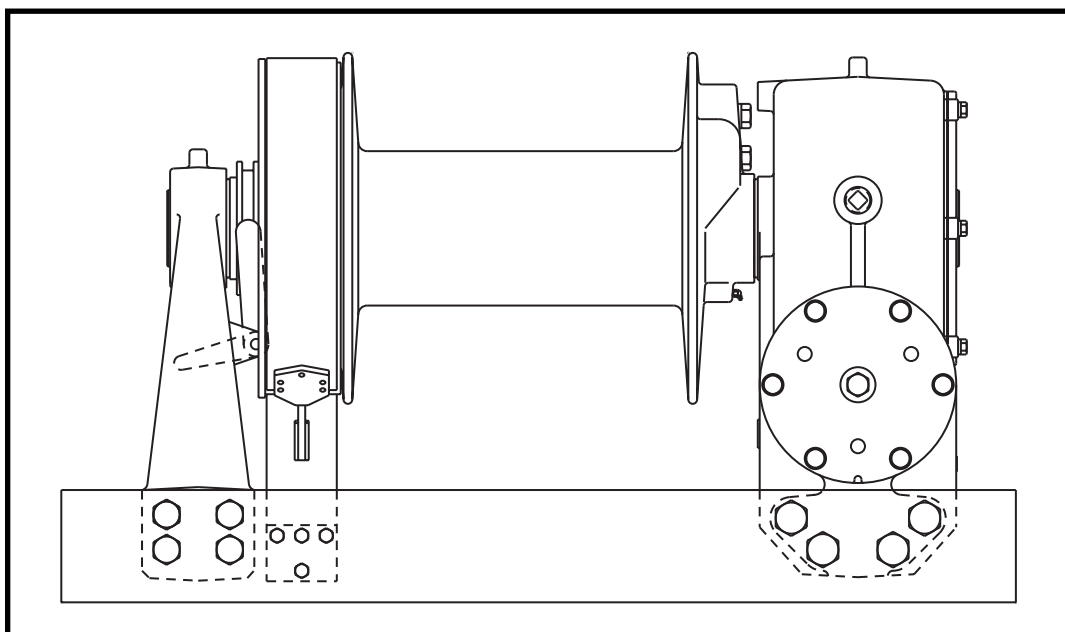


BRADEN®

W150A

MATERIAL LIST



PACCAR WINCH DIVISION
P.O. BOX 547 BROKEN ARROW, OK U.S.A. 74013
PHONE (918) 251-8511 FAX (918) 259-1575
www.paccarwinch.com

BRADEN W150A COMPONENTS

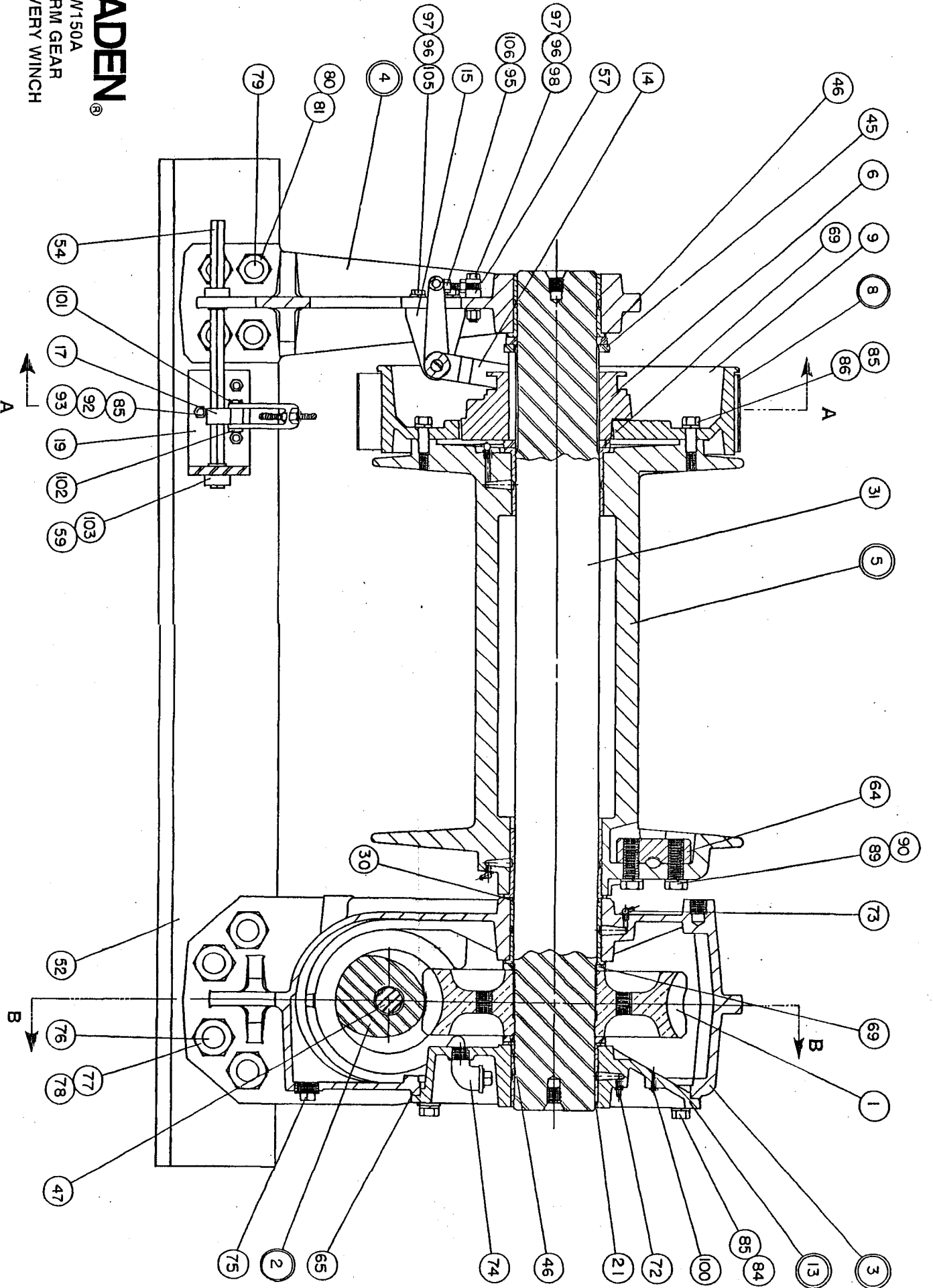
Item	Part No.	Description	Qty.
1	24594	Worm Gear	1
2	81761	Worm Assembly with bushings	1
	18078	Worm Bushing	2
3	81648	Worm Housing with bushing	1
	24637	Worm Housing Bushing	1
4	81646	Bearing Leg with bushing	1
	24638	Bearing Leg Bushing	1
5	81649	Cable Drum with bushings	1
	24637	Cable Drum Bushing	2
6	100494	Clutch	1
7	24670	Bearing Container	1
8	81628	Brake Band Assembly with lining	1
	24721	Brake Band Lining	1
	18076	Rivet	24
9	24666	Clutch Plate	1
10	24665	Planet Carrier	1
11	24672	Input Cover	1
12	24677	Brake Cover	1
13	81647	Worm Housing Cover with bushing	1
	24638	Cover Bushing	1
14	24657	Shifter Fork	1
15	24647	Bracket Shifter Fork	2
16	26033	Spring Plate	1
17	11678	Brake Lever	1
18	21318	Plug	2
19	24651	Control Rod Support	1
20	24686	Tapered Roller Bearing (cup & cone)	1
21	24365	O-Ring	1
22	24688	Ball Bearing	1
23	24689	Ball Bearing	1
24	24690	Ball Bearing	1
25	24702	Roller Bearing	6
26	24692	Seal	1
27	26045	Spring	8
28	24694	Belleville Disc Spring	2
29	26031	Brake Plate Spacer	1
30	24981	O-Ring	1
31	24593	Cable Drum Shaft	1
32	25930	Input Shaft	1
33	24714	Planet Gear	3
34	24680	Brake Band Plate	1
35	24671	Planet Gear Pin	3
36	24676	Worm Drive Ring	1
37	26032	Separator Plate	6
38	26035	Bearing Container	1
39	13680	Thrust Race	2
40	12034	Retaining Ring	2
41	12035	Retaining Ring	2
42	81786	Sprag Clutch Assembly	1
	NSS*	Outer Brake Race	1
	26043	Thrust Race	2
	32089	Retaining Ring	2
	NSS*	Inner Brake Race	1
	NSS*	Sprag Clutch Assembly	1
43	26030	Bushing	2
	24724	Bearing Container Gasket	2
44	25921	Brake Adjustment Piston	1
45	24719	Spacer Ring	1
46	24654	Spacer Ring	2
47	26034	Worm Shaft	1
48	25906	Friction Disc	5

Item	Part No.	Description	Qty.
49	26036	Pressure Plate	1
50	24720	Clutch Spacer Pin	3
51	24711	Capscrew (5/8 - 11 X 3-1/2 G5)	4
52	24716	Base Angle	1
53	24717	Base Angle	1
54	24658	Control Shaft	1
55	24718	Wear Block	2
56	24648	Brake Band Clevis	1
57	24655	Shifter Fork Stop	1
58	24081	Ring Gear	1
59	11669	Collar Bushing	2
60	13824	Washer (3/4 plain)	1
61	24691	Thrust Race	6
62	24828	Input Shaft Key	1
63	24722	Input Shaft Washer	1
64	24675	Cable Anchor	1
65	24723	Worm Housing Cover Gasket	2
66	24724	Bearing Container Gasket	2
68	24678	Brake Band Rod	1
69	24653	Spacer Ring	2
70	24700	Retaining Ring	1
71	13542	O-Ring	1
72	18047	Grease Fitting (1/8 straight)	2
73	11800	Grease Fitting (1/8 67-1/2°)	3
74	24703	Street Elbow (1 NPT)	1
75	19014	Pipe Plug (1 NPT)	2
76	24696	Capscrew (1-1/2 - 12 X 4-1/2 G5)	8
77	27816	Hex Nut (1-1/2 - 12)	8
78	24706	Lockwasher (1-1/2 plain)	8
79	24697	Capscrew (1-1/4 - 12 X 4-1/2 G5)	8
80	27815	Nut, Hex (1-1/4 - 12)	8
81	24707	Lockwasher (1-1/4 plain)	8
82	24708	Capscrew (7/8 - 9 X 3 G5)	12
83	13447	Lockwasher (7/8 plain)	12
84	22724	Capscrew (5/8 - 11 X 1-1/2 G5)	6
85	11028	Lockwasher (5/8 plain)	26
86	24673	Capscrew (5/8 - 11 X 2-1/2 G5 SPL)	2
87	21275	Capscrew (1 - 14 X 2-1/2 G5)	1
88	24849	Hex Jam Nut (1 - 14)	1
89	24709	Capscrew (1 - 8 X 3 G5)	2
90	13986	Lockwasher (1 plain)	2
91	22697	Capscrew (1/2 - 13 X 1 G5)	1
92	13478	Capscrew (5/8 - 11 X 2-1/2 G5)	4
93	13448	Hex Nut (5/8 - 11)	8
94	24699	Clevis Pin	1
95	13421	Capscrew (1/2 - 13 X 2 G5)	1
96	11788	Hex Nut (1/2 - 13)	6
97	11026	Lockwasher (1/2 plain)	7
98	24710	Capscrew (1/2 - 13 X 3 G5)	2
99	24113	Spirol Pin	3
100	10074	Relief Valve	1
101	13959	Cotter Pin	2
102	24698	Clevis Pin	1
103	13957	Cup Point Setscrew	3
104	22701	Hex Nut (1/2 - 20)	4
105	10724	Capscrew (1/2 - 13 X 2-1/2 G5)	4
106	23583	Hex Jam Nut (1/2 - 13)	1

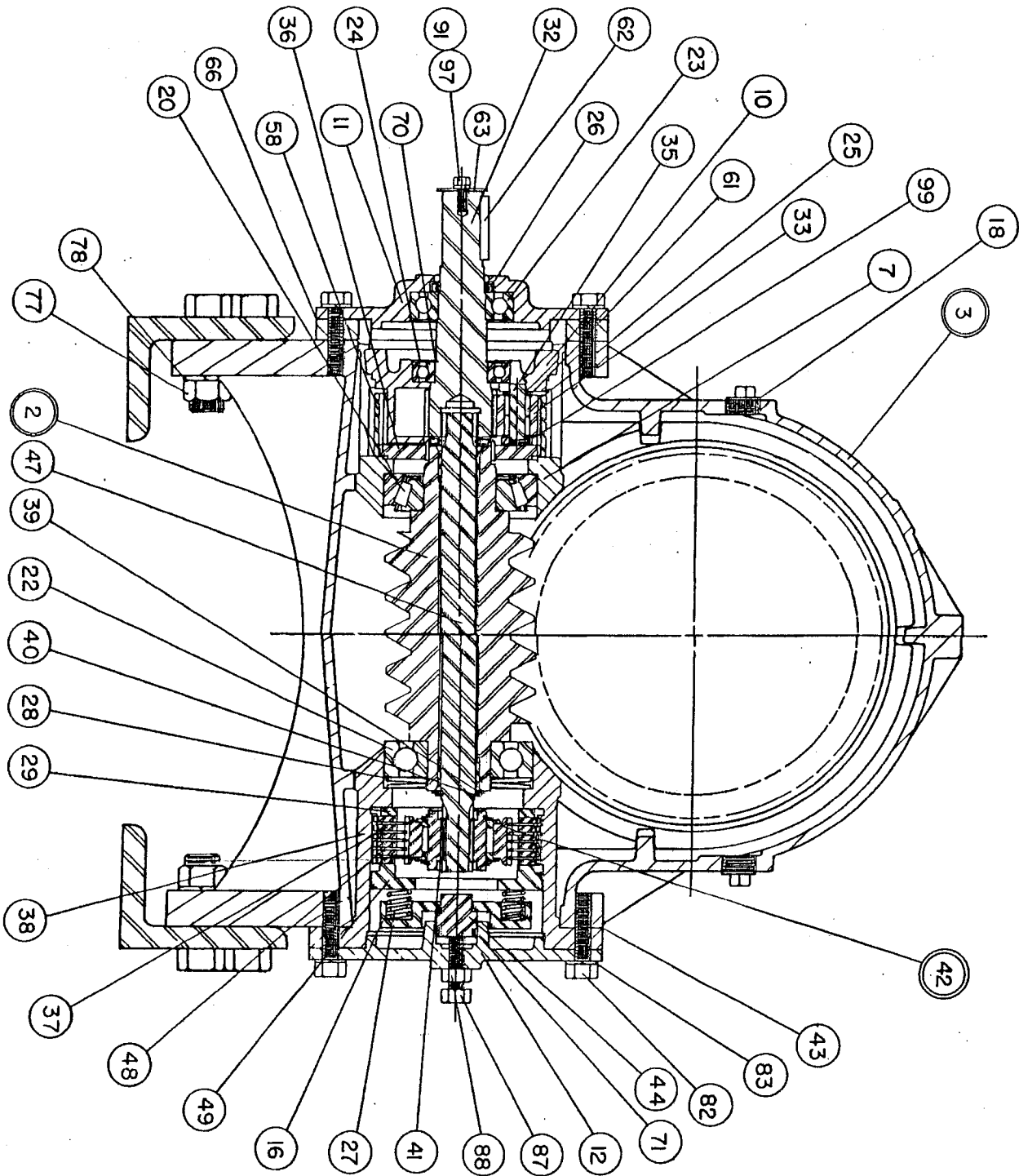
* NSS - Not Serviced Separately

If any of these parts needs replacement, the entire sprag assembly (81786) must be replaced.

BRADEN®
 W150A
 WORM GEAR
 RECOVERY WINCH

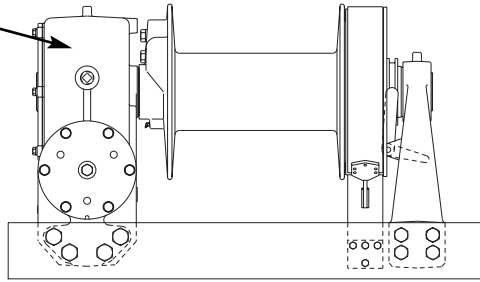


SECTION B



Model Number

Serial Number



Most BRADEN worm gear winches have the model and serial numbers stamped into the worm gear housing. **Always** reference both of these numbers when ordering replacement parts. Our goal is to ship the correct parts, the first time.

FOR BEST RESULTS, ALWAYS USE GENUINE BRADEN REPLACEMENT PARTS

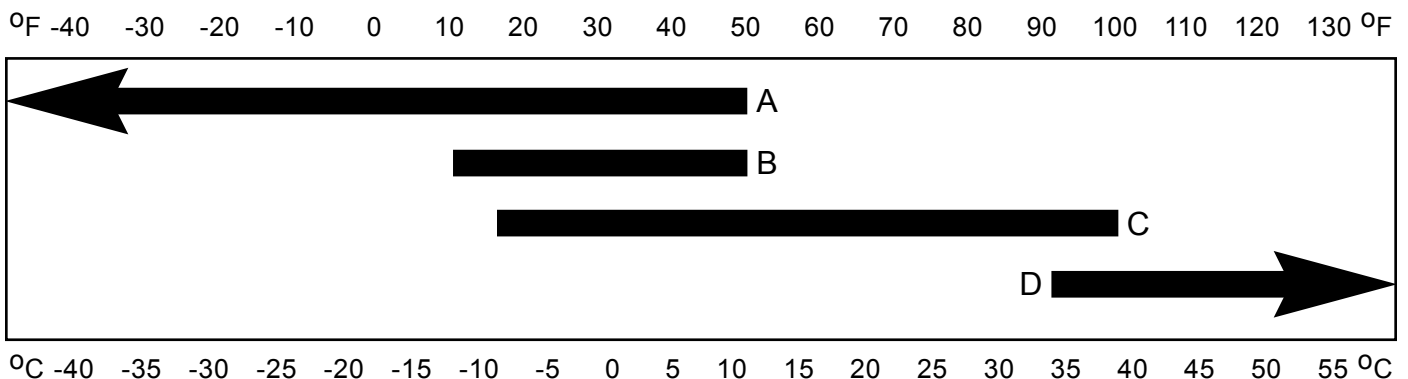
TO ORDER PARTS:

1. List model and serial numbers of the winch.
2. Refer to exploded view and select the component(s) needed and list the item number(s).
3. Find item number(s) on material list, show part number, description and quantity required on your order.
4. Refer to parts price list and show price for each part or assembly.

RECOMMENDED WORM GEAR OIL

We have published the following specifications to help you determine which lubricant is best suited for your application. For simplicity, Braden has listed one readily available product in each temperature range which has been tested and found to meet our specifications. This is not to say that other lubricant brands would not perform equally as well. If the following lubricant brands are not available in your area, make certain your lubricant vendor supplies you with oil that is equivalent to those products listed below.

PREVAILING AMBIENT TEMPERATURE



- A. Synthetic Texaco Pinnacle 150 or equivalent
- B. AGMA Grade 5 EP (90 wt) Texaco Meropa 220 or equivalent
- C. AGMA Grade 7 EP (140 wt) Texaco Meropa 460 or equivalent
- D. AGMA Grade 8 EP (180 wt) Texaco Meropa 680 or equivalent

Oil Capacity - 76 pints (36 L)

⚠ WARNING ⚠

Do not use aftermarket additives in worm gear oil. Some additives may contain substances which could cause glazing of brake discs or impede the firm locking action in the brake rotor assembly. Both symptoms could reduce load control which may result in property damage, personal injury or death.