

MODEL 70A-PS WINCH for Caterpillar D6R Series II & III TRACTORS

CARCO® for CATERPILLAR

Caterpillar and CAT are Trademarks of Caterpillar Inc.

SPECIFICATIONS

CABLE DRUM SIZE

Barrel Diameter10 in. (254 mm)
 Flange Diameter19 7/8 in. (504 mm)
 Barrel Length12 3/8 in. (314 mm)

HYDRAULIC SYSTEM

Oil Capacity66 qts (63 L)
 Hydraulic Pressure for
 Winch Control400 psi (2,760 kPa)
 Hydraulic Pump is Gear Type
 Accumulator is Spring-Type
 Applied Weight *2,600 lbs (1,180 kg)

GEAR RATIOS

Winch Overall Ratio:
 Standard Speed51.4:1
 Slow Speed112.8:1

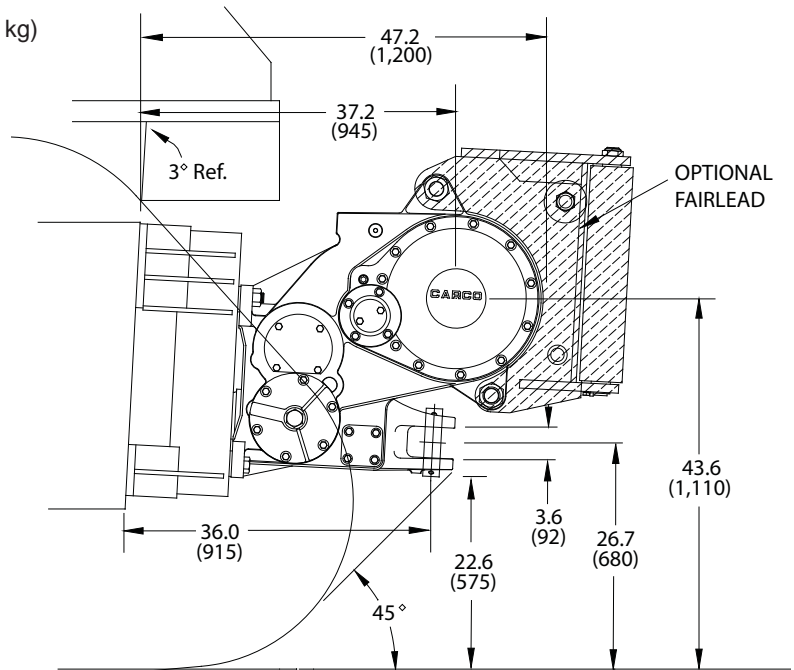
Optional Ratios: Consult factory

OPTIONS

Free Spool Drum
 Gear Ratios
 3 Roller Fairlead
 4 Roller Fairlead
 Extended Draw Bar

MODEL 70A-PS DESCRIPTION

- Internal Hydraulic System with Gear Type Pump, Pressure Circuit Filtration and Maintenance-Free Spring-Type Accumulator
- Single Lever Electronic Control of Hydraulically Actuated Multi-Disc Wet Clutches and Brake; Equal Speeds - Forward and Reverse
- Rigid Cast Nodular Iron Case with Pin-On Fairlead Mounting Lugs and Heavy-Duty Rigid Draw Bar.



DIMENSIONS SHOWN ARE INCHES (mm)

| Approved Cable Diameters | Maximum Theoretical Cable Capacity per SAE J1158† | Maximum Recommended Cable Capacity per SAE J706† | PACCAR Ferrule Part Number ‡ |
|--------------------------|---|--|------------------------------|
| 3/4 in (19 mm) | 391 ft (119 M) | 267 ft (81 M) | 29424 |
| 7/8 in (22 mm) | 281 ft (86 M) | 180 ft (55 M) | 29425 |
| 1 in (26 mm) | 218 ft (66 M) | 163 ft (50 M) | 29426 |

* Base winch without mounting arrangement, oil, or wire rope.

† Refer to PACCAR Publication LIT2435 for more information on proper wire rope selection for PACCAR Winches.

‡ Use six-strand IWRC RRL Wire Rope with PACCAR Ferrules.

PACCAR WINCH DIVISION

P.O. BOX 547 BROKEN ARROW, OK U.S.A. 74013

PHONE (918) 251-8511 FAX (918) 259-1575

www.paccarwinch.com

Winch line pull and line speed based on specifications noted below, with 1.0 inch (25 mm) diameter wire rope. Maximum warrantable wire rope diameter is 1.0 in. (25 mm).

NOTE: *These tractors are capable of producing input torque to the winch which can result in line pulls in excess of the maximum rated line pull. For pulls over the maximum rating, a multipart line and sheave block must be used.*

STANDARD SPEED PERFORMANCE MODEL 70A-PS (Overall Ratio 51.4:1)

| D6R Series II & III | | | |
|--------------------------------|-----------------------|-------------------------------|-------------------------------|
| | Tractor Rating | 175 hp @ 2,000 rpm | 130 kW @ 2,000 rpm |
| Bare Drum | Rated Linepull | 66,630 lbs | 30,220 kg |
| | Maximum Linepull | 89,800* lbs | 40,733* kg |
| | Rated Linespeed | 73 fpm | 22 mpm |
| | Maximum Linespeed | 130 fpm | 40 mpm |
| Full Drum | Rated Linepull | 38,830 lbs | 17,610 kg |
| | Maximum Linepull | 78,940 lbs | 35,810 kg |
| | Rated Linespeed | 125 fpm | 38 mpm |
| | Maximum Linespeed | 224 fpm | 68 mpm |

SLOW SPEED PERFORMANCE MODEL 70A-PS (Overall Ratio 112.8:1)

| D6R Series II & III | | | |
|--------------------------------|-----------------------|-------------------------------|-------------------------------|
| | Tractor Rating | 175 hp @ 2,000 rpm | 130 kW @ 2,000 rpm |
| Bare Drum | Rated Linepull | 89,800* lbs | 40,733* kg |
| | Maximum Linepull | 89,800* lbs | 40,733* kg |
| | Rated Linespeed | 32 fpm | 10 mpm |
| | Maximum Linespeed | 58 fpm | 18 mpm |
| Full Drum | Rated Linepull | 84,190 lbs | 38,190 kg |
| | Maximum Linepull | 89,800* lbs | 40,733* kg |
| | Rated Linespeed | 58 fpm | 18 mpm |
| | Maximum Linespeed | 103 fpm | 31 mpm |

* Maximum line pull limited by breaking strength of optional size 1.0 inch (25 mm) IWRC IPS wire rope.