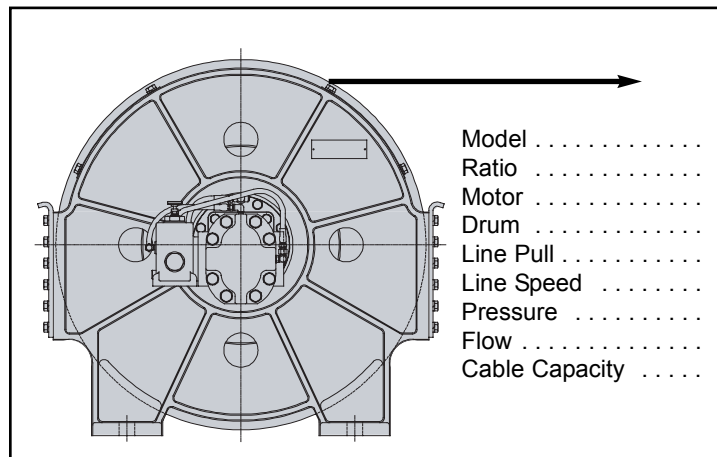

BRADEN Gearmatic

PLANETARY HYDRAULIC HOISTS

PERFORMANCE DATA



HOIST PERFORMANCE DATA

	Ratio	Motor ¹	Drum ²	Maximum Line Pull				Pressure ³		Maximum Line Speed				Flow		Cable Drum Capacity ⁴	
				Bare Drum		Full Drum		Required		Bare Drum		Full Drum		Required		Capacity	
				(lbs)	(kg)	(lbs)	(kg)	(psi)	(bar)	(fpm)	(mpm)	(fpm)	(mpm)	(gpm)	(lpm)	(ft)	(M)
BG4A	5:1	080	Ω1 6.75 X 11.00 X 7.28	300	1,360	2,110	957	2,525	174	145	45	206	63	15	57	3/8 - 219	10 - 67
		119		4,000	1,810	2,810	1,270	2,250	155	133	41	189	58	20	76	7/16 - 146	11 - 45
BG6B	29:1	011	Ω1 7.50 X 11.13 X 7.28	2,500	1,130	1,940	880	2,750	190	209	64	268	82	17	64	3/8 - 181 1/2 - 102	10 - 55 13 - 31
		020		4,000	1,810	3,110	1,410	2,750	190	175	53	226	69	25	95		
		029		6,000	2,720	4,670	2,120	2,650	183	92	28	118	36	21	79		
		039		6,000	2,720	4,670	2,120	2,000	138	92	28	118	36	27	102		
	29:1	Ω2 7.50 X 14.56 X 7.28	011	5,000	2,270	3,890	1,760	2,370	164	92	28	118	36	17	64	3/8 - 493 1/2 - 290	10 - 150 13 - 88
			020	2,500	1,130	1,420	640	2,750	190	209	64	368	112	17	64		
			029	4,000	1,810	2,270	1,030	2,750	190	175	53	310	94	25	95		
			039	6,000	2,720	3,410	1,550	2,650	183	92	28	162	49	21	79		
67:1	011	5,000	2,270	2,840	1,290	2,370	164	92	28	162	49	17	64				
		5,000	2,270	2,840	1,290	2,370	164	92	28	162	49	17	64				
BG8B	23:1	029	Ω1 8.50 X 14.56 X 12.25	4,880	2,210	3,280	1,490	3,000	207	358	109	534	163	50	189	7/16 - 486 1/2 - 439 9/16 - 320	11 - 148 13 - 134 14 - 98
		039		6,685	3,030	4,490	2,040	3,000	207	358	109	534	163	65	246		
		071		8,000	3,630	5,370	2,440	2,100	145	59	18	88	27	20	76		
	34:1	020		4,760	2,160	3,200	1,450	3,000	207	249	76	372	113	35	132		
		029		7,240	3,280	4,860	2,200	3,000	207	241	73	360	110	50	189		
	59:1	039		8,000	3,630	5,370	2,440	2,400	166	241	73	360	110	65	246		
		020	8,000	3,630	5,370	2,440	2,900	200	144	44	215	66	35	132			
	59:1	029	8,000	3,630	5,370	2,440	1,900	131	140	43	208	63	50	189			
039		8,000	3,630	5,370	2,440	1,400	97	139	42	207	63	65	246				
PD12C	59:1	029	Ω1 9.75 X 14.00 X 13.75	12,000	5,440	9,340	4,240	3,300	228	213	65	276	84	65	246	1/2 - 336 9/16 - 306	13 - 102 14 - 93
		039		12,000	5,440	9,340	4,240	2,400	166	161	49	208	63	65	246		
	21:1	051	Ω2 9.75 X 16.38 X 13.75	7,500	3,400	5,040	2,290	3,000	207	405	123	602	183	75	284	1/2 - 547 9/16 - 399 5/8 - 368	13 - 167 14 - 122 16 - 112
		064		9,500	4,310	6,390	2,900	3,000	207	346	105	516	157	80	303		
	29:1	051		10,400	4,720	6,990	3,170	3,000	207	290	88	432	132	75	284		
		064		12,000	5,440	8,070	3,660	2,700	186	249	76	370	113	80	303		
	41:1	039		10,500	4,760	7,060	3,200	3,000	207	235	72	350	107	65	246		
		051		12,000	5,440	8,070	3,660	2,500	173	204	62	304	93	75	284		
	59:1	029		11,000	4,990	7,400	3,360	3,000	207	167	51	249	76	50	189		
		034		12,000	5,440	8,070	3,660	2,800	193	159	48	236	72	55	208		
		039	12,000	5,440	8,070	3,660	2,450	169	166	51	246	75	65	246			
		051	12,000	5,440	8,070	3,660	1,750	121	144	44	214	65	75	284			
	21:1	064	8,920	4,050	5,190	2,350	3,000	207	376	115	647	197	80	303	1/2 - 957 9/16 - 756 5/8 - 589	13 - 292 14 - 230 16 - 180	
	29:1	064	11,000	4,990	6,400	2,900	2,700	186	270	82	464	141	80	303			
		051	11,000	4,990	6,400	2,900	2,400	166	218	66	375	114	75	284			
	59:1	039	11,000	4,990	6,400	2,900	2,400	166	148	45	254	77	55	208			
29:1	064	Ω4 10.63 X 20.00 X 13.50	11,000	4,990	6,400	2,900	1,700	117	154	47	264	80	75	284			
			11,000	4,990	6,400	2,900	1,700	117	154	47	264	80	75	284			
	41:1		051	11,000	4,990	8,090	3,670	2,700	186	270	82	367	112	80	303		
			039	11,000	4,990	8,090	3,670	2,400	166	218	66	297	91	75	284		
59:1	039	11,000	4,990	8,090	3,670	2,400	166	148	45	201	61	55	208	1/2 - 470 9/16 - 427 5/8 - 300	13 - 143 14 - 130 16 - 91		
PD15B	41:1	051	Ω4 10.75 X 20.00 X 13.50	13,400	6,080	7,800	3,540	3,000	207	223	68	384	117	75	284	1/2 - 957 5/8 - 589	13 - 292 16 - 180
		064		15,000	6,800	8,720	3,960	2,600	179	191	58	329	100	80	303		
		051	Ω5 10.75 X 16.50 X 13.50	13,400	6,080	9,860	4,470	3,000	207	223	68	304	93	75	284		
				064	15,000	6,800	11,000	4,990	2,600	179	191	58	260	79	80		
GH15	60:1	029	Ω1 6.50 X 17.00 X 8.00	15,000	6,800	6,860	3,110	2,600	179	101	31	222	68	52	197	1/2 - 443 5/8 - 279	13 - 135 16 - 85
		039		15,000	6,800	6,920	3,140	1,970	136	100	30	221	67	69	261		
		029	Ω2 6.50 X 17.00 X 13.00	15,000	6,800	6,860	3,110	2,600	179	101	31	222	68	52	197	1/2 - 720 5/8 - 468	13 - 219 16 - 143
				039	15,000	6,800	6,920	3,140	1,970	136	100	30	221	67	69		
		029	Ω3 6.50 X 17.00 X 19.00	15,000	6,800	6,860	3,110	2,600	179	101	31	222	68	52	197	1/2 - 1,052 5/8 - 695	13 - 321 16 - 212
				039	15,000	6,800	6,920	3,140	1,970	136	100	30	221	67	69		
PD17A ⁵	36:1	V049	ΩZ 13.00 X 21.50 X 19.71	14,260	6,470	9,770	4,430	4,500	311	281	86	410	125	65	246	5/8 - 827 3/4 - 573	16 - 252 19 - 175
		110		17,440	7,910	11,960	5,430	2,440	168	188	57	275	84	100	379		
	47:1	064		16,160	7,330	11,250	5,100	3,000	207	208	63	298	91	80	303		
		090		17,440	7,910	12,140	5,510	2,370	164	176	54	253	77	100	379		
		V049		17,440	7,910	11,960	5,430	4,220	291	215	66	314	96	65	246		
CH150A	23:1	090	Ω1 12.75 x 22.75 x 17.00	11,410	5,180	7,170	3,250	3,000	207	437	133	696	212	125	473	9/16 - 1,092 5/8 - 1,011 3/4 - 614	14 - 333 16 - 308 19 - 187
		110		14,340	6,500	9,010	4,090	3,000	207	443	135	705	215	155	587		
		120		15,000	6,800	9,430	4,280	2,850	197	446	136	709	216	170	643		
		090	11,410	5,180	7,170	3,250	3,000	207	437	133	696	212	125	473			
	23:1	Ω2 12.75 x 22.75 x 32.00	110	14,340	6,500	9,010	4,090	3,000	207	443	135	705	215	155	587	9/16 - 2,052 5/8 - 1,900 3/4 - 1,153	14 - 625 16 - 579 19 - 351
			120	15,000	6,800	9,430	4,280	2,850	197	446	136	709	216	170	643		
			090	11,410	5,180	7,170	3,250	3,000	207	437	133	696	212	125	473		
			110	14,340	6,500	9,010	4,090	3,000	207	443	135	705	215	155	587		

	Ratio	Motor ¹	Drum ²	Maximum Line Pull				Pressure ³		Maximum Line Speed				Flow		Cable Drum Capacity ⁴	
				Bare Drum		Full Drum		Required		Bare Drum		Full Drum		Required		Capacity	
				(lbs)	(kg)	(lbs)	(kg)	(psi)	(bar)	(fpm)	(mpm)	(fpm)	(mpm)	(gpm)	(lpm)	(ft)	(M)
CH175A	23:1	090	Q1 10.75 x 19.25 x 16.00	13,420	6,090	8,405	3,810	3,000	207	371	113	593	181	125	473	9/16 - 765	14 - 233
		110		16,880	7,660	10,570	4,790	3,000	207	377	115	601	183	155	587	5/8 - 583	16 - 178
		120		17,500	7,940	10,960	4,970	2,850	197	378	115	605	184	170	643	3/4 - 405	19 - 123
CH185A ⁶	36:1	090	Q1 16.00 x 27.50 x 20.00	14,000	6,350	8,740	3,960	3,000	207	356	109	570	174	125	473	5/8 - 1,630	16 - 497
		110		17,605	7,990	10,995	4,990	3,000	207	361	110	578	176	155	587	3/4 - 1,038	19 - 316
		120		18,500	8,390	11,550	5,240	2,900	200	363	111	580	177	170	643	7/8 - 763	22 - 233
		090	Q2 16.00 x 27.50 x 32.00	14,000	6,350	8,740	3,960	3,000	207	356	109	570	174	125	473	5/8 - 2,604	16 - 794
		110		17,605	7,990	10,995	4,990	3,000	207	361	110	578	176	155	587	3/4 - 1,658	19 - 505
		120		18,500	8,390	11,550	5,240	2,900	200	363	111	580	177	170	643	7/8 - 1,218	22 - 371
CH210A ⁷	36:1	090	Q1 15.00 x 26.50 x 19.92	14,780	6,700	9,400	4,260	3,000	207	344	105	541	165	125	473	3/4 - 982	19 - 299
		110		18,580	8,430	11,830	5,370	3,000	207	349	106	549	167	155	587	7/8 - 721	22 - 220
		120		20,490	9,290	13,040	5,910	3,000	207	351	107	552	168	170	643		
		090	Q2 16.00 x 27.50 x 31.98	13,890	6,300	9,040	4,100	3,000	207	366	112	563	172	125	473	3/4 - 1,656	19 - 505
		110		17,470	7,920	11,370	5,160	3,000	207	371	113	571	174	155	587	7/8 - 1,217	22 - 371
		120		19,270	8,740	12,530	5,680	3,000	207	373	114	574	175	170	643		
CH230A	36:1	090	Q1 12.75 x 22.75 x 17.00	17,400	7,890	10,520	4,770	3,000	207	286	87	474	144	125	473	5/8 - 1,011	16 - 308
		110		21,885	9,930	13,230	6,000	3,000	207	290	88	481	147	155	587	3/4 - 614	19 - 187
		120		23,000	10,430	13,905	6,310	2,900	200	292	89	483	147	170	643	7/8 - 436	22 - 133
CH240A	53:1	090	Q1 18.00 X 32.50 X 24.36	18,150	8,230	11,010	4,990	3,000	207	125	38	458	140	125	473	7/8 - 1,454	22 - 443
		110		22,470	10,190	13,620	6,180	3,000	207	125	38	464	141	125	473	1 - 1,112	25 - 339
		120		24,000	10,890	14,560	6,600	2,950	204	170	52	469	143	170	643		
		149	24,000	10,890	14,560	6,600	2,750	190	30	9	55	17	30	114			
		090	Q2 18.00 X 32.50 X 38.61	18,150	8,230	11,010	4,990	3,000	207	125	38	458	140	125	473	7/8 - 2,307	22 - 703
		110		22,470	10,190	13,620	6,180	3,000	207	125	38	464	141	125	473	1 - 1,766	25 - 538
120	24,000	10,890		14,560	6,600	2,950	204	170	52	469	143	170	643				
149	24,000	10,890	14,560	6,600	2,750	190	30	9	55	17	30	114					
GH30	44:1	090	Q1 - 8.0 X 22.3 X 10.0	26,430	11,990	11,230	5,090	2,500	173	154	47	367	112	125	473	3/4 - 410	19 - 125
			Q2 - 8.0 X 22.3 X 16.0	26,430	11,990	11,230	5,090	2,500	173	154	47	367	112	125	473	3/4 - 675	19 - 205
			Q4 - 8.0 X 22.3 X 28.0	26,430	11,990	11,230	5,090	2,500	173	154	47	367	112	125	473	3/4 - 1210	19 - 368
			Q6 - 14.5 X 22.3 X 10.0	15,175	6,880	10,930	4,960	2,500	173	270	82	376	115	125	473	3/4 - 280	19 - 85
			Q10 - 10.0 X 16.2 X 10.0	21,500	9,750	15,230	6,910	2,500	173	190	58	270	82	125	473	3/4 - 160	19 - 48
			Q11 - 12.0 X 22.3 X 16.0	18,150	8,230	10,700	4,850	2,500	173	225	69	385	117	125	473	3/4 - 504	19 - 153
			Q20 - 8.0 X 16.2 X 10.0	26,430	11,990	15,750	7,140	2,500	173	154	47	261	80	125	473	3/4 - 180	19 - 54
CH330A	69:1	120	Q1 20.00 X 32.50 X 23.88	28,400	12,880	19,240	8,730	3,000	207	238	73	351	107	170	643	1 - 972	25 - 296
	86:1	120		33,000	14,970	22,360	10,140	2,800	193	191	58	283	86	170	643	1-1/8 - 709	29 - 216
	69:1	120	Q2 20.00 X 32.50 X 38.13	28,400	12,880	19,240	8,730	3,000	207	238	73	351	107	170	643	1 - 1,554	25 - 474
	86:1	120		33,000	14,970	22,360	10,140	2,800	193	191	58	283	86	170	643	1-1/8 - 1,135	29 - 346
	69:1	120	Q3 22.00 X 32.50 X 23.88	26,140	11,860	19,390	8,800	3,000	207	260	79	351	107	170	643	1 - 841	25 - 256
	86:1	120		32,200	14,610	23,900	10,840	3,000	207	210	64	283	86	170	643	1-1/8 - 588	29 - 179
	69:1	120	Q4 22.00 X 32.50 X 38.13	26,140	11,860	19,390	8,800	3,000	207	260	79	351	107	170	643	1 - 1,345	25 - 410
86:1	120	32,200		14,610	23,900	10,840	3,000	207	210	64	283	86	170	643	1-1/8 - 936	29 - 285	
CH400A	99:1	120	Q1 - 20.0 X 32.5 X 23.9	40,000	18,140	28,020	12,710	3,000	207	171	52	245	75	170	643	1-1/8 - 706	29 - 215
		120	Q2 - 20.0 X 32.5 X 38.1	40,000	18,140	28,020	12,710	3,000	207	171	52	245	75	170	643	1-1/8 - 1,130	29 - 344
		120	Q3 - 22.0 X 32.5 X 23.9	37,140	16,850	28,720	13,030	3,000	207	187	57	243	74	170	643	1-1/8 - 584	29 - 178
		120	Q4 - 22.0 X 32.5 X 38.1	37,140	16,850	28,720	13,030	3,000	207	187	57	243	74	170	643	1-1/8 - 936	29 - 285
GH50	114:1	090	Q1 - 12.0 X 22.0 X 18.0	44,000	19,960	28,500	12,930	2,450	169	87	27	134	41	125	473	1 - 398	25 - 121
		090	Q5 - 20.0 X 30.0 X 13.0	27,400	12,430	20,130	9,130	2,450	169	140	43	190	58	125	473	1 - 430	25 - 132
		090	Q6 - 20.0 X 30.0 X 19.0	27,400	12,430	20,130	9,130	2,450	169	140	43	190	58	125	473	1 - 625	25 - 193
		090	Q7 - 20.0 X 30.0 X 25.0	27,400	12,430	20,130	9,130	2,450	169	140	43	190	58	125	473	1 - 822	25 - 254
		090	Q20 - 12.0 X 22.0 X 12.0	44,000	19,960	28,500	12,930	2,450	169	87	27	134	41	125	473	1 - 264	25 - 80
CH640A	66:1	D090	Q1 24.00 X 41.50 X 36.13	37,870	17,180	24,600	11,160	3,500	242	350	107	540	165	300	1,136	1 - 2,418	25 - 737
	66:1	D120		43,990	19,950	28,570	12,960	2,900	200	268	82	413	126	300	1,136	1-1/8 - 1,872	29 - 571
	96:1	D120		64,000	29,030	41,570	18,860	2,900	200	184	56	284	87	300	1,136	1-1/4 - 1,426	32 - 435

Charts in this publication represents some of the most common combinations of hoist options. Additional drums and/or motors may be available for specific models.

Contact your nearest Braden Gearmatic distributor for assistance with other options to fit your application.

See page 4 for notes.

TWO SPEED MOTOR PERFORMANCE

	Ratio	Motor ¹	Drum ²	Maximum Line Pull								Pressure ³ Required		Maximum Line Speed								Flow Required	
				LOW SPEED				HIGH SPEED						LOW SPEED				HIGH SPEED					
				Bare Drum		Full Drum		Bare Drum		Full Drum		Bare Drum		Full Drum		Bare Drum		Full Drum		Bare Drum		Full Drum	
				(lbs)	(kg)	(lbs)	(kg)	(lbs)	(kg)	(lbs)	(kg)	(psi)	(bar)	(fpm)	(mpm)	(fpm)	(mpm)	(fpm)	(mpm)	(fpm)	(mpm)	(gpm)	(lpm)
PD12C	59:1	049/024	02	12,000	5,440	8,070	3,660	5,570	2,530	3,740	1,700	1,900	131	66	20	98	30	149	45	222	68	40	151
	41:1	049/024	02	12,000	5,440	8,070	3,660	5,530	2,510	3,720	1,690	2,700	186	95	29	141	43	214	65	319	97	40	151
	29:1	049/024	02	9,200	4,170	6,180	2,800	4,250	1,930	2,860	1,300	2,950	204	134	41	199	61	303	92	451	137	40	151
	41:1	049/024	04	11,000	4,990	6,400	2,900	5,070	2,300	2,950	1,340	2,700	186	103	31	177	54	233	71	400	122	40	151
PD15B	41:1	064/032	04	15,000	6,800	8,720	3,960	7,000	3,180	4,070	1,850	2,900	200	79	24	136	41	179	55	308	94	40	151
	41:1	064/032	05	15,000	6,800	11,000	4,990	7,000	3,180	5,150	2,340	2,900	200	79	24	107	33	179	55	243	74	40	151
CH150A	23:1	127/064	01 & 02	15,000	6,800	9,420	4,270	6,170	2,800	3,880	1,760	2,750	190	210	64	334	102	420	128	669	204	85	322
CH175A	23:1	127/064	01/02	17,500	7,940	10,960	4,970	7,150	3,240	4,480	2,030	2,720	188	178	54	285	87	357	109	570	174	85	322
CH210A ⁷	36:1	127/064	01	21,400	9,710	13,620	6,180	9,690	4,400	6,170	2,800	2,650	183	158	48	249	76	324	99	510	155	85	322
	36:1	127/064	02	20,120	9,130	13,090	5,940	9,110	4,130	5,940	2,690	2,920	201	168	51	259	79	345	105	530	162	85	322
CH230A	36:1	127/064	01	23,000	10,430	13,900	6,310	9,220	4,180	5,570	2,530	2,710	187	134	41	223	68	269	82	446	136	85	322
CH240A	53:1	127/064	01 & 02	24,000	10,890	14,560	6,600	10,670	4,840	6,470	2,930	2,750	190	119	36	196	60	218	66	431	131	85	322
GH30	29:1	127/064	XX ⁸	26,400	11,980	11,100	5,030	11,800	5,350	4,990	2,260	2,000	138	108	33	257	78	229	70	544	166	85	322
	29:1	127/064	XX ⁹	15,100	6,850	10,800	4,900	6,800	3,080	4,880	2,210	2,000	138	189	58	263	80	399	122	557	170	85	322
	29:1	127/064	10	21,500	9,750	15,100	6,850	9,640	4,370	6,800	3,080	2,000	138	133	41	189	58	281	86	397	121	85	322
	29:1	127/064	11 & 13	18,100	8,210	11,400	5,170	8,130	3,690	5,120	2,320	2,000	138	158	48	251	77	334	102	531	162	85	322
	29:1	127/064	20	26,400	11,980	15,600	7,080	11,800	5,350	7,030	3,190	2,000	138	108	33	183	56	229	70	386	118	85	322
CH330A	86:1	127/064	01 & 02	33,000	14,970	22,360	10,140	15,100	6,850	10,230	4,640	2,750	190	88	27	130	40	177	54	261	80	85	322
	69:1	127/064	01 & 02	29,000	13,150	19,650	8,910	13,400	6,080	9,080	4,120	3,000	207	109	33	162	49	219	67	324	99	85	322
	86:1	127/064	03 & 04	33,000	14,970	24,490	11,110	15,000	6,800	11,130	5,050	3,000	207	97	30	130	40	194	59	261	80	85	322
	69:1	127/064	03 & 04	27,000	12,250	20,030	9,090	12,100	5,490	8,980	4,070	3,000	207	120	37	162	49	240	73	324	99	85	322
CH400A	99:1	127/064	01 & 02	40,000	18,140	27,110	12,300	17,970	8,150	12,170	5,520	2,750	190	71	22	105	32	156	48	231	70	71	269
	99:1	127/064	03 & 04	40,000	18,140	30,970	14,050	17,800	8,070	13,780	6,250	2,750	190	78	24	101	31	172	52	223	68	78	295
GH50	114:1	127/064	XX ¹⁰	44,000	19,960	28,500	12,930	19,670	8,920	12,740	5,780	2,300	159	56	17	86	26	118	36	183	56	85	322
	114:1	127/064	XX ¹¹	27,400	12,430	20,130	9,130	12,250	5,560	9,000	4,080	2,300	159	90	27	123	37	191	58	260	79	85	322

HIGH SPEED REVERSE WINCH PERFORMANCE

	Ratio		Motor ¹	Drum ²	Maximum Line Pull				Pressure ³ Required		Maximum Line Speed								Flow Required			
					Bare Drum		Full Drum				Hoisting				Lowering							
	Hoist	Lower			(lbs)	(kg)	(lbs)	(kg)	(psi)	(bar)	(fpm)	(mpm)	(fpm)	(mpm)	(fpm)	(mpm)	(fpm)	(mpm)	(fpm)	(mpm)	(gpm)	(lpm)
	BG8A	69:1			23:1	020	01	7,500	3,400	5,040	2,290	2,500	173	117	36	174	53	351	107	523	159	33
69:1		23:1	029	01	7,500	3,400	5,040	2,290	1,650	114	117	36	174	53	351	107	523	159	48	182		
GH15	75:1	22:1	020	XX ¹²	14,660	6,650	6,630	3,010	3,000	207	92	28	204	62	315	96	698	213	40	151		
	75:1	22:1	029	XX ¹²	15,000	6,800	6,960	3,160	2,100	145	86	26	191	58	294	90	653	199	56	212		
	75:1	22:1	039	XX ¹²	15,000	6,800	6,850	3,110	1,550	107	87	27	192	59	298	91	657	200	75	284		
	75:1	22:1	020	XX ¹³	9,270	4,200	6,710	3,040	3,000	207	146	45	202	62	499	152	691	211	40	151		
	75:1	22:1	029	XX ¹³	10,000	4,540	7,230	3,280	2,160	149	136	41	189	58	465	142	646	197	56	212		
	75:1	22:1	039	XX ¹³	10,000	4,540	7,230	3,280	1,620	112	137	42	189	58	469	143	646	197	75	284		
GH50	44:1	8:1	090	XX ⁸	22,000	9,980	9,300	4,220	2,050	141	108	33	257	78	572	174	1,362	415	90	341		
	44:1	8:1	090	XX ⁹	12,600	5,720	9,050	4,110	2,050	141	190	58	266	81	1,007	307	1,410	430	90	341		
	44:1	8:1	090	10	17,900	8,120	12,500	5,670	2,050	141	135	41	190	58	716	218	1,007	307	90	341		
	44:1	8:1	090	11 & 13	15,100	6,850	8,900	4,040	2,050	141	160	49	271	83	848	258	1,436	438	90	341		
	44:1	8:1	090	20	22,000	9,980	12,500	5,670	2,050	141	108	33	190	58	572	174	1,007	307	90	341		

See charts on pages 2 & 3 for Cable Drum Capacity.

- NOTES:**
- Motor displacement in cu in./rev (119 = 11.9 cu in.). A "V" in front of the number indicates piston motor. A "D" indicates dual motors.
 - Drum dimensions (inches) shown as Barrel Diameter X Flange Diameter X Distance Between Flanges.
 - Pressure is ΔP across motor.
 - Drum capacity shown as: Rope Diameter (inches or millimeters) - Storage Capacity (feet or meters).
 - PD17A hoists available 3rd quarter 2002.
 - CH185A to be phased out first quarter 2002.
 - CH210A is direct replacement for CH185A. Available late first quarter 2002.
 - Drums 01, 02, 03 & 04.
 - Drums 06 & 07.
 - Drums 01, 02, 03 & 20.
 - Drums 05, 06, 07 & 08.
 - Drums 01, 02 & 03.
 - Drums 04 & 05.