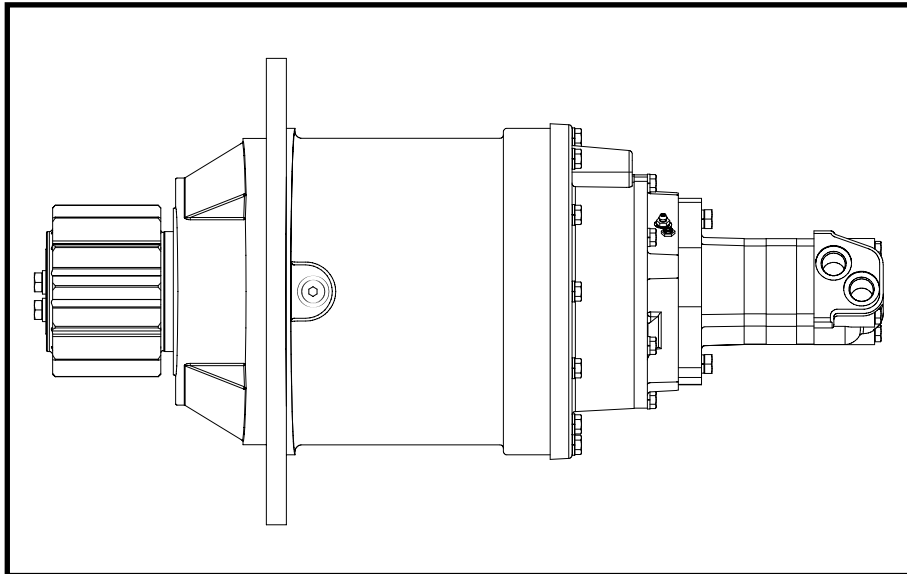


BRADEN[®]

SD110 SWING DRIVE

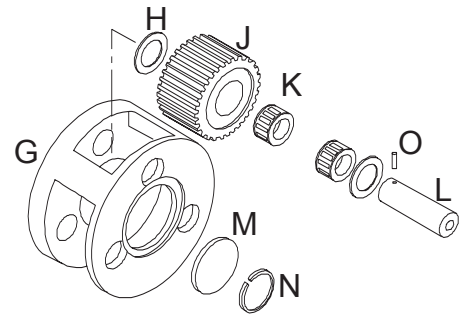
MATERIAL LIST (ASSEMBLY 04823)



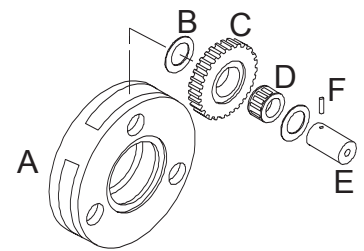
PACCAR WINCH DIVISION
P.O. BOX 547 BROKEN ARROW, OK U.S.A. 74013
PHONE (918) 251-8511 FAX (918) 259-1575
www.paccarwinch.com

PARTS LIST
SD110A-036BB-04823

ITEM	DESCRIPTION	PART NO.	QTY.
1	Primary Planet Carrier Assembly	83048	1
A	Primary Planet Carrier	26293	1
B	Thrust Washer	24167	6
C	Primary Planet Gear	24575	3
D	Roller Bearing	24579	3
E	Planet Gear Shaft	26295	3
F	Rollpin	24113	3
2	Output Planet Carrier Assembly	82687	1
G	Output Planet Carrier	101970	1
H	Thrust Washer	24307	6
J	Output Planet Gear	24576	3
K	Roller Bearing	24580	6
L	Planet Gear Shaft	24573	3
M	Thrust Plate	101971	1
N	Retaining Ring	101972	1
O	Rollpin	24582	3
3	Thrust Washer	24485	1
4	Output Sun Gear	24571	1
5	Input Sun Gear	102946	1
6	Ring Gear/Housing	102293	1
7	Pinion Gear	102368	1
8	Output Shaft	102367	1
9	Bearing Cup	27447	2
10	Bearing Cone	102353	2
11	O-Ring	29677	1
12	Retainer Plate	102517	1
14	Seal	29139	1
16	Thrust Washer	29512	1
17	O-Ring	72111	1
21	Capscrew (7/16 NC X 1-1/2 G5)	21253	12
22	Lockwasher (7/16)	11026	12
25	Capscrew (3/8 NC X 1-1/8 G8)	PA1A2029	6
26	Lockwasher (3/8)	18003	6
31	Spring Spacer	103147	1
32	Brake Spring	24108	12
33	Brake Housing	102940	1
35	Piston Back-up Ring	25746	1
36	Brake Disc	103592	9
37	Friction Disc	102716	7
38	O-Ring	74112	1
39	O-Ring	74938	1
47	Piston, Hydraulically Applied	102952	1
51	Motor Adapter	102948	1
52	O-Ring	22357	1
53	Back-up Ring	77278	1
55	Seal, U-Cup	103441	1
56*	Lockwasher (1/2)	11026	5
59	Relief Valve	10074	1
61	Bleeder Fitting	27472	2
62	Shim (.005 in. thick)	102520	3
63	Shim (.007 in. thick)	102521	2
64	Shim (.020 in. thick)	102522	1
65	Hydraulic Motor (not shown)	103582	1
66	Capscrew (1/2 NC X 1-1/2 G8)	29290	3
67	Thrust Washer (.060 in. thick)	24581	1
68	Needle Bearing	29286	1
69	Thrust Washer (.120 in. thick)	13680	1
70	Wave Spring	102426	1
72	Brake Plate Spacer	24489	1
73	Spring Plate	25719	1
74	Plug, O-Ring Flush	32411	2
75	Plug, O-Ring Flush (for shipping only)	69325	2
76	Pipe Plug (for shipping only)	18009	1
80	Wave Spring	100423	7
81**	Capscrew (1/2 NC X 1-1/2 G5)	11026	2
82	O-Ring (Motor Pilot - not shown)	21063	1



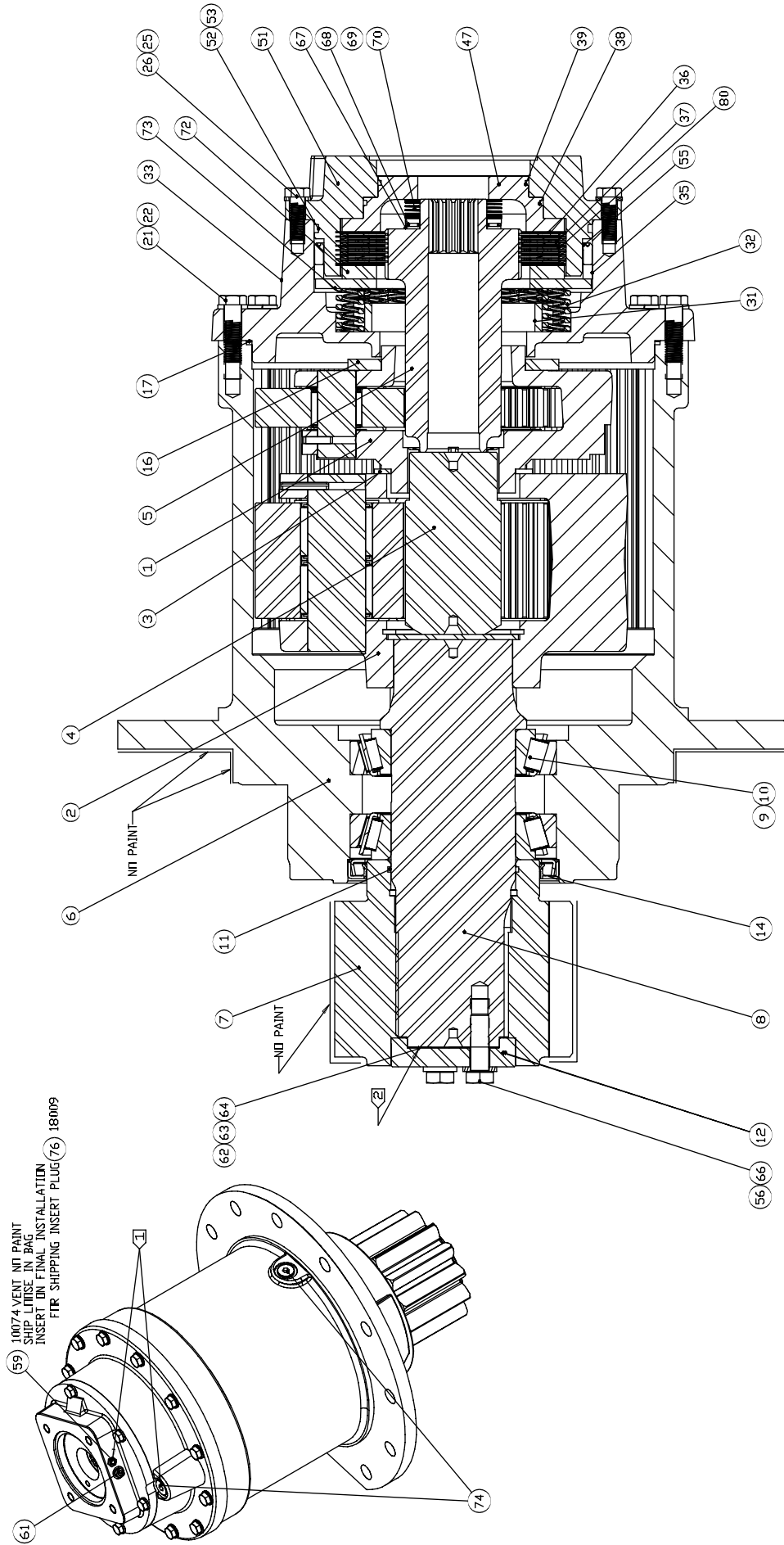
Output Planet Assembly



Primary Planet Assembly

* 3 used with item 66, 2 used with motor capscrews

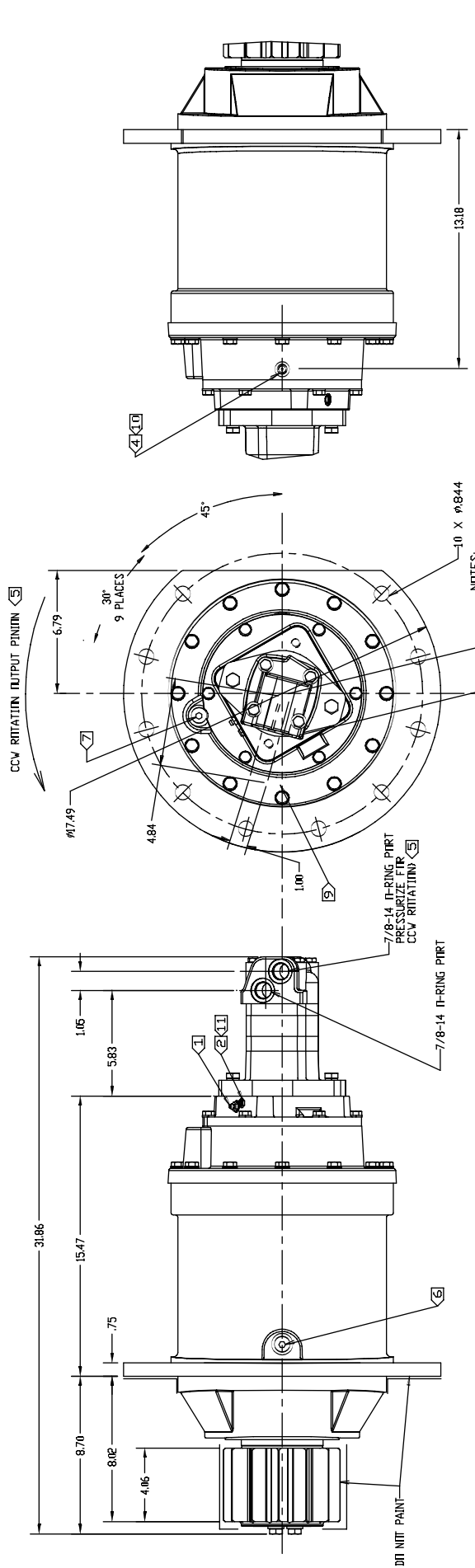
** used to attach motor to motor adapter



SWING DRIVE
ASSEMBLY
04823

NOTES:

1. TO FILL THE UNIT WITH OIL, REMOVE THE FILL PLUG AND RELIEF VALVE. FILL WITH 80W/90 GL5 GEAR OIL (55 P.T.S.) TO BE FLUSH WITH THE TIP SURFACE OF THE OIL FILL PIRT.
2. SHIM WITH ITEMS 62, 63, & 64 TO OBTAIN .000/.006 END PLAY OF OUTPUT SHAFT ITEM 8
3. FOR SHIPPING, INSERT PLUGS (75) PART No. 69325 INTO FOOT BRAKE & PARKING BRAKE PIRTS.



- NOTES:
- (1) FINIT BRAKE CYLINDER BLEEDER
 - (2) GEAR BOX RELIEF VALVE 0 TO 5 PSI
 - (3) FINIT BRAKE CYLINDER INPUT 7/16-20 UNF I-RING PIPT
 - (4) PARKING BRAKE RELEASE 7/16-20 UNF O-RING PIPT
 - (5) SEE TIP L.H. VIEW
 - (6) DRAIN 3/4-16 UNF I-RING PIPT
 - (7) OIL FILL 3/4-16 UNF I-RING PIPT
FILL WITH 80W/90 API GL 5 GEAR OIL CAPACITY 15 PTS.
TO BE FLUSH WITH THE TIP SURFACE IF THE PIPT
REMOVE RELIEF VALVE (2) WHILE FILLING
- PAINT PER:
DIP MIT PAINT PINION GEAR TEETH, Ø1.4925 PILOT AND
MOUNTING FLANGE AS INDICATED IN UPPER LEFT VIEW.
PRIME WITH TMT PART EPOXY PRIMER, TINT TO MATCH TIP/PIPT.
TIP/PIPT WITH TMT PART POLYURETHANE TINTED RAL1003.
COATING MUST CONFORM TO:
ADHESION - ASTM 3359 METHOD A
4A ACCEPTANCE CRITERIA
PENCIL HARDNESS - ASTM 3363, 2H PENCIL
GLISS - 90 @ 60 DEGREES
- IN LOCATION INDICATED STAMP THE
FOLLOWING USING 3/16" STAMPS:
P/N 04823/265316D2 S/N XXXXXXX
- FIR SHIPPING INSERT ITEM 75
- 4 PLUG Pt. No. 69223 - 2 PLACES
- SHIPPING RELIEF VALVE ITEM 59
CHRYSLER LUBRICATION BAG
INSERT PLUG ITEM 76
P/N No. 18009 FIR SHIPPING ONLY.
IN FINAL INSTALLATION REMOVE
ITEM 76 - SHIPPING PLUG,
& INSERT RELIEF VALVE ITEM 59.

OUTPUT TORQUE - 110000 LB IN

RATIII - 36 ± 1

BRAKE DATA:
FULL RELEASE PRESSURE - 400 PSI
BRAKE SLIP AT 0 BACK PRESSURE - 165,470 LB IN S DYNAMIC
BRAKE INPUT TORQUE EFFECTIVE BOTH DIRECTIONS

METER DATA:
DISPLACEMENT - 11.9 CID
PISTON - 2 BILT B
SHAFT - 1-1/4 14 TOTH S PLINED

SWING DRIVE
ASSEMBLY
04823