
BRADEN

MATERIAL LIST AND INSTALLATION INSTRUCTIONS RATCHET AND PAWL

For Use With The Following Braden Hoists:

PD12C

PD15B

PD10-75B PD10-77B

PD15-75B PD15-77B

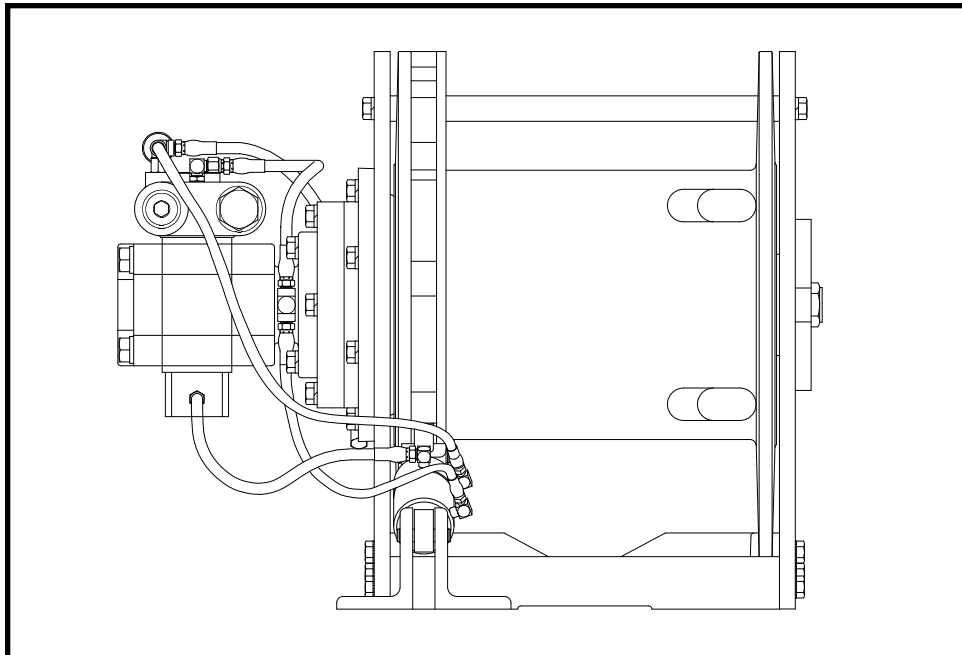


FIG 1

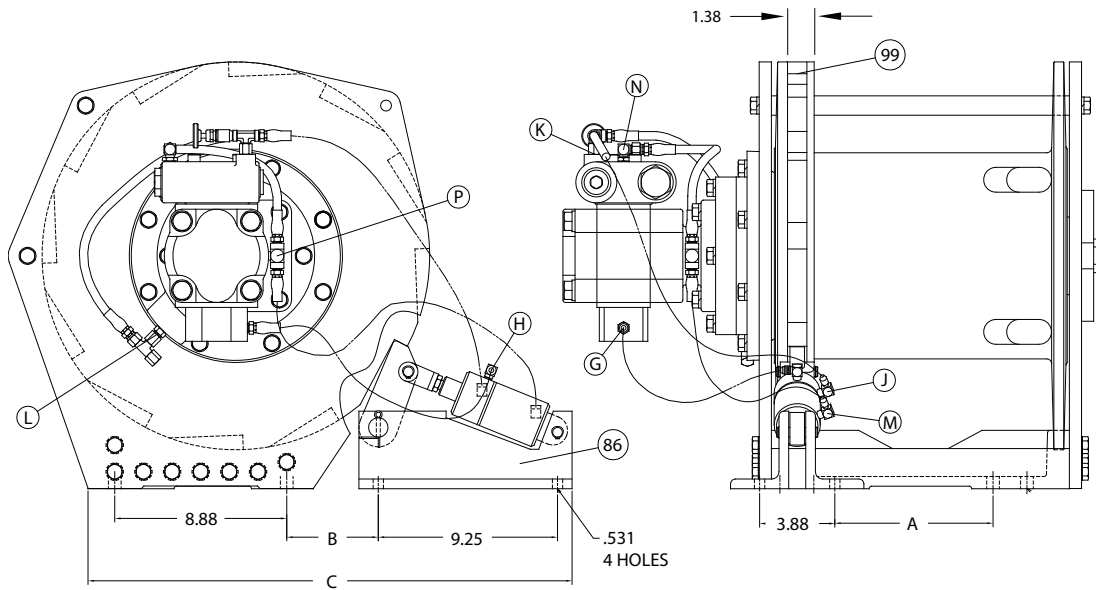


FIG 2

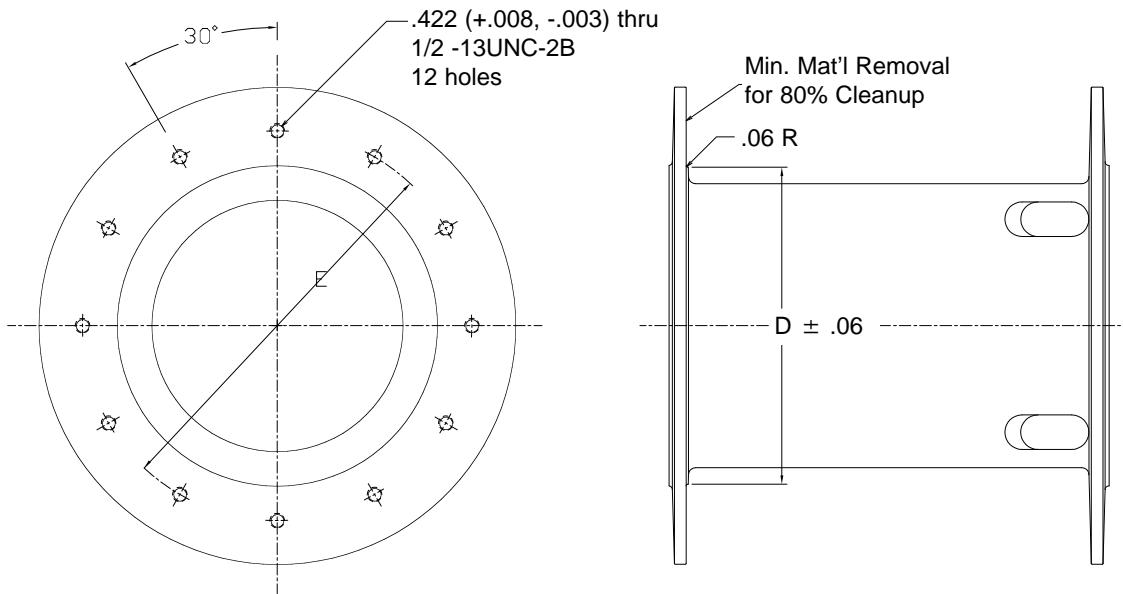
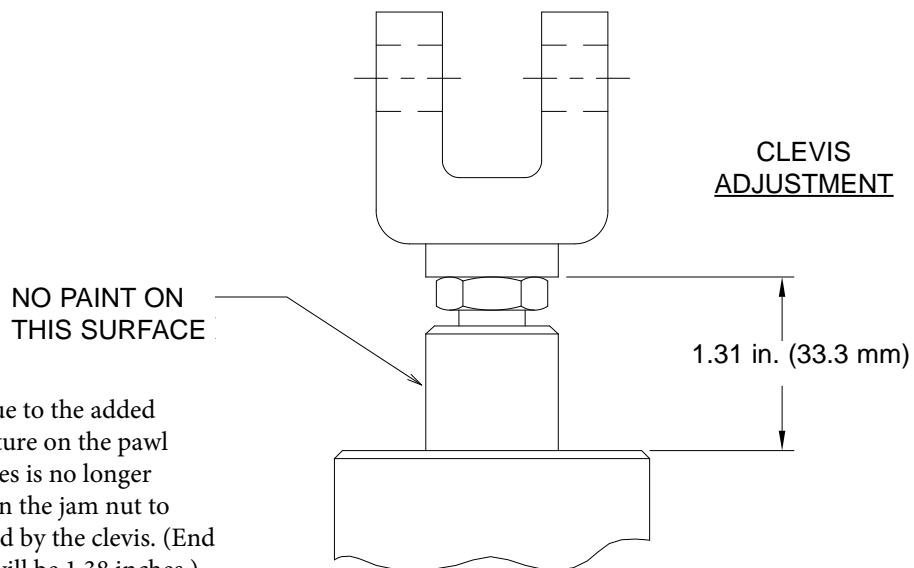
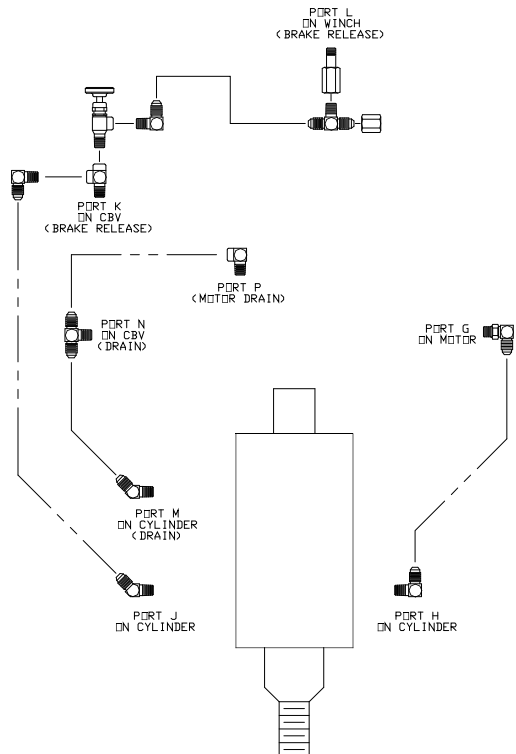


FIG 3



Disclaimer: Due to the added wrench flat feature on the pawl shaft, 1.31 inches is no longer feasible. Tighten the jam nut to contact followed by the clevis. (End measurement will be 1.38 inches.)

HYDRAULIC SCHEMATIC (FITTINGS SHOWN MAY NOT MATCH ALL HOISTS)



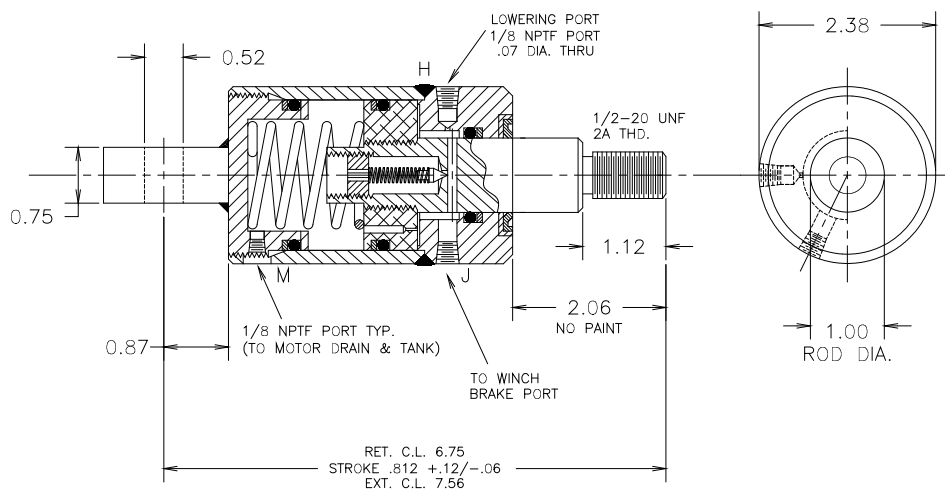
NOTE:

CONNECT PORT (H) ON CYLINDER TO PORT (G) ON MOTOR (LOWERING).

CONNECT PORT (J) ON CYLINDER TO PORT (L) ON HOIST AND PORT (K) ON BRAKE VALVE.

CONNECT PORT (M) ON CYLINDER TO PORT (P) ON MOTOR AND PORT (N) ON BRAKE VALVE.

RATCHET AND PAWL CYLINDER PART NUMBER 81663



NOTE:

SEAL KIT FOR CYLINDER 81663 IS PART NUMBER 61614.