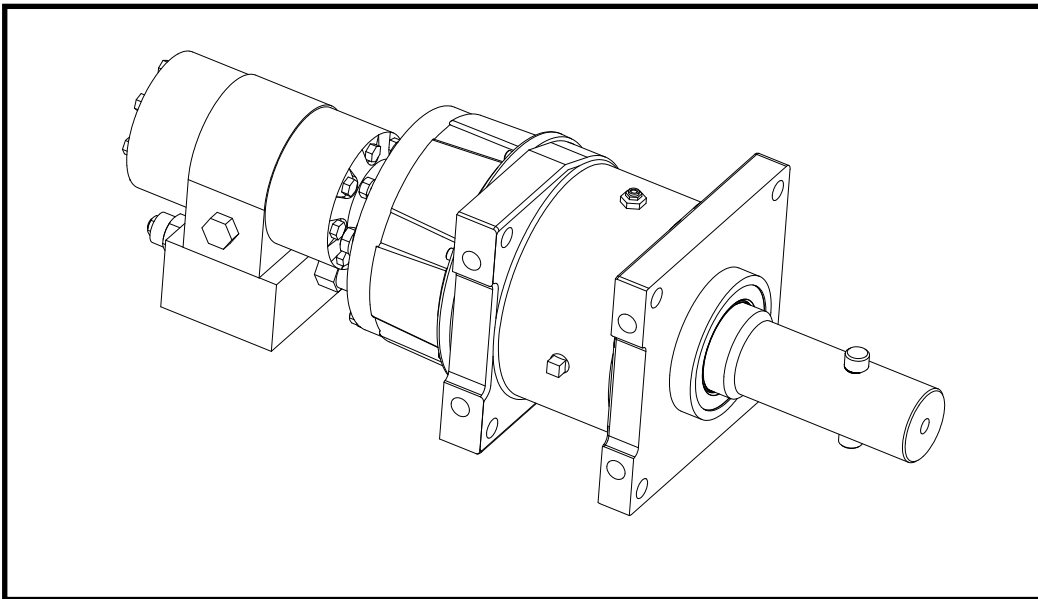


BRADEN[®]

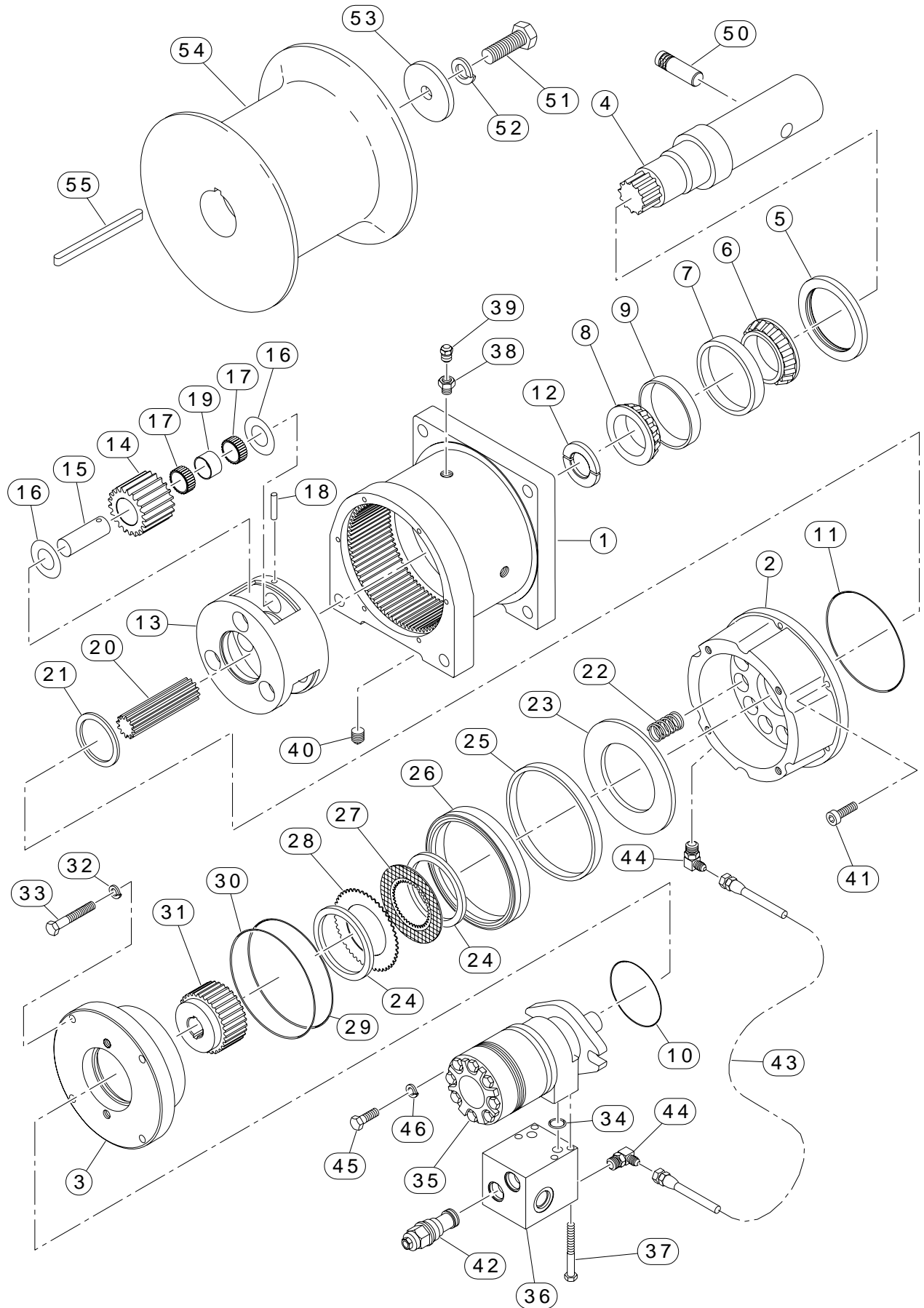
PCD24B CAPSTAN DRIVE

MATERIAL LIST



PACCAR WINCH DIVISION
P.O. BOX 547 BROKEN ARROW, OK U.S.A. 74013
PHONE (918) 251-8511 FAX (918) 259-1575
www.paccarwinch.com

BRADEN PCD-24B COMPONENTS



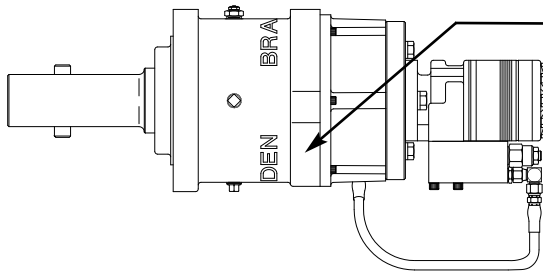
PCD24B MATERIAL LIST

ITEM	PART NO.	DESCRIPTION	QTY.
1	29838	HOUSING (standard)	1
	29326	HOUSING (H option)	1
2	26330	BRAKE CYLINDER	1
3	29642	MOTOR SUPPORT (Parker Motor option)	1
	26331	MOTOR SUPPORT (Char-Lynn Motor option)	1
4	29849	OUTPUT SHAFT (standard)	1
	28989	OUTPUT SHAFT (H option)	1
	29727	OUTPUT SHAFT (fixed capstan)	1
5	24905	SEAL (standard)	1
	28990	SEAL (H option)	1
6	27020	BEARING CONE (standard)	1
	27446	BEARING CONE (H option)	1
7	11438	BEARING CUP (standard)	1
	27445	BEARING CUP (H option)	1
8	24903	BEARING CONE (standard)	1
	28991	BEARING CONE (H option)	1
9	24904	BEARING CUP (standard)	1
	30910	BEARING CUP (H option)	1
10	22586	O-RING (Char-Lynn Motor option)	1
	23108	GASKET (Parker Motor option)	1
11	22721	O-RING	1
12	29850	SPLIT RING (standard)	1
	26339	SPLIT RING (H option)	1
13	25309	PLANET CARRIER (standard)	1
	28998	PLANET CARRIER (H option)	1
14	26272	PLANET GEAR	3
15	24898	PLANET GEAR SHAFT (standard)	3
	25666	PLANET GEAR SHAFT (H option)	3
16	24167	THRUST RACE (standard)	6
	25361	THRUST RACE (H option)	6
17	24175	ROLLER BEARING	6
18	21049	ROLLPIN	3
19	24890	BEARING SPACER	3
20	28988	SUN GEAR	1
21	25590	THRUST RACE (standard)	1
	25300	THRUST RACE (H option)	1
22	27384	SPRING	12
23	25635	PRESSURE PLATE	1
24	25637	SPACER PLATE	2
25	25636	PISTON RING	1
26	25642	BRAKE PISTON SEAL	1
27	21036	FRICITION DISC	7
28	21029	STEEL DISC	8
29	24981	O-RING	1
30	25643	BACK-UP RING	1
31	29039	BRAKE COUPLING	1
32	27152	LOCKWASHER ($\frac{3}{8}$, Z)	4
33	104311	CAPSCREW, HEX HD ($\frac{3}{8}$ - 16 x 1 $\frac{3}{4}$, G8, Z)	4
34	12273	O-RING (Parker 080, 119 motor option)	2
	22453	O-RING (Parker 2-Speed motor option)	2
	78312	O-RING (Char-Lynn motor option)	2
34A	72094	O-RING (Parker 2-speed motor option shift port - not shown)	1
35	25128	HYDRAULIC MOTOR (Char-Lynn 8.0 cu in)	1
	29000	HYDRAULIC MOTOR (Char-Lynn 11.9 cu in)	1
	100214	HYDRAULIC MOTOR (Char-Lynn 4.9 cu in)	1
	102250	HYDRAULIC MOTOR (Parker 8.0 cu in)	1
	102251	HYDRAULIC MOTOR (Parker 11.9 cu in)	1
	101380	HYDRAULIC MOTOR (Parker 2-speed 14.2/7.1 cu in - includes Brake Valve)	1
40195	HYDRAULIC MOTOR (Parker 2-speed 7.2/3.6 cu in - includes Brake Valve)	1	

ITEM	PART NO.	DESCRIPTION	QTY.
36	25351	BRAKE VALVE ASSY (Char-Lynn motor option) (includes valve block 2 counterbalance cartridges 27258)	1
	105191	BRAKE VALVE ASSY (Char-Lynn 080 motor) (includes valve block 2 counterbalance cartridges 27258)	1
	40045	BRAKE VALVE BLOCK (Parker 080 motor) (Requires 2 counterbalance cartridges, item 42)	1
	26270	BRAKE VALVE ASSEMBLY (Parker 119 motor) (includes valve block and 2 counterbalance cartridges 27258)	1
	29672	BRAKE VALVE BLOCK (Parker 2-speed motor option) (Requires 2 counterbalance cartridges, item 42)	1
37	25130	CAPSCREW, HEX HD ($\frac{3}{8}$ - 16 x 2 $\frac{1}{2}$, G8) (Char-Lynn motor option w/ 25351 Brake Valve Assy)	3
	13587	CAPSCREW, HEX HD ($\frac{3}{8}$ - 16 x 3, G8) (Char-Lynn motor option w/ 105191 Brake Valve Assy)	3
	27622	CAPSCREW, HEX HD ($\frac{5}{16}$ - 18 x 3 $\frac{1}{2}$, G8, Z) (Parker motor option w/ 40045 Brake Valve Assy)	4
	27150	CAPSCREW, HEX HD ($\frac{5}{16}$ - 18 x 2 $\frac{1}{2}$, G8, Z) (Parker motor option w/ 26270 Brake Valve Assy)	4
	22522	CAPSCREW, HEX SOCKET HD ($\frac{5}{16}$ - 18 x 2 $\frac{1}{2}$, G8) (Parker motor option w/ 29672 Brake Valve Assy)	4
38	25074	REDUCER BUSHING	1
39	10074	VENT PLUG	1
40	23377	PIPE PLUG	3
41	13932	CAPSCREW, HEX SOCKET HD ($\frac{1}{4}$ -20 x 1, G8, w/ NYLOCK PATCH)	6
42	27258	COUNTERBALANCE CARTRIDGE	2
	29872	SEAL KIT FOR COUNTERBALANCE CARTRIDGE	2
43	25750	HOSE ASSEMBLY	1
44	25302	ELBOW, 90° (Char-Lynn Motor Option)	1
45	21908	CAPSCREW, HEX SOCKET HD ($\frac{1}{2}$ -13 x 1 $\frac{1}{2}$, G8, Z) (Char-Lynn 8.0, 4.9 cu in Motor Option)	2
	104322	CAPSCREW, HEX HD ($\frac{1}{2}$ -13 x 1 $\frac{1}{2}$, G8, Z) (Char-Lynn 11.9 cu in Motor Option)	2
	104174	CAPSCREW, HEX HD ($\frac{1}{2}$ -13 x 1 $\frac{1}{4}$, G8, Z) (Parker Motor Option)	2
46	11026	LOCKWASHER ($\frac{1}{2}$)	2
47	25302	ELBOW, 90° (Parker 8.0 cu in & 2-speed Motor Option)	1
	31284	ADAPTER, STRAIGHT (Char-Lynn Motor Option)	1
	26140	ELBOW, 90° (Parker 11.9 cu in Motor Option)	
47A	25864	ADAPTER, STRAIGHT (Parker 11.9 cu in Motor Option - Not Shown)	
50	11980	CAPSTAN PIN (Not used with Fixed Capstan)	1
51	100109	CAPSCREW, HEX HD ($\frac{5}{8}$ - 11 x 1 $\frac{1}{2}$, G8, Z) (for use w/ Fixed Capstan ONLY)	1
52	102423	LOCKWASHER ($\frac{5}{8}$) (for use w/ Fixed Capstan ONLY)	1
53	12203	CAPSTAN RETAINING WASHER (for use w/ Fixed Capstan ONLY)	1
54	11032	CAPSTAN, fixed type	1
	81239	CAPSTAN, BAYONET TYPE (includes 1 each of the following) Capstan, Part No. 51551 Spring, Part No. 13787 Pin, Part No. 13786	1
55	11650	KEY (for use w/ Fixed Capstan unit with keyed output shaft)	1

NOTE: Older configurations include other motors that are no longer available. For information on these units, please obtain the serial number from your unit and contact the Braden Product Support Department.

FOR BEST RESULTS, USE ONLY GENUINE BRADEN REPLACEMENT PARTS



Model Number
Serial Number

The capstan drive serial number and model number is stamped into the housing at the location shown. Always refer to the model and serial number when requesting information or service parts.

EXPLANATION OF MODEL NUMBER PCD-24B-08071-01H

- PCD Designates Planetary Capstan Drive
- 24 Designates Maximum Output Torque (24,000 lb-in)
- B Designates Model Series Relating to Design Changes
- 08 Designates Overall Gear Ratio (7.75:1)
- 071 Designates Motor Displacement in cu. in./rev. (071 = 7.1 cu. in./rev.)
- 01 Designates Output Shaft Configuration (01 = bayonet capstan mounting; 03 = fixed capstan)
- H Designates High Capacity Option

TO ORDER PARTS:

1. List model and serial number of the capstan drive.
2. Refer to illustrations and select the component(s) needed and note item number(s).
3. Find item number(s) on material list; show part number, description and quantity required on your order.
4. Refer to parts price list and show price for each component or assembly.

PREVENTIVE MAINTENANCE

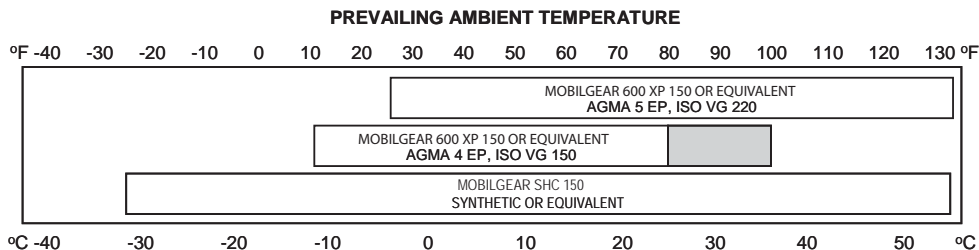
A regular program of preventive maintenance for your capstan drive is strongly recommended to minimize the need for emergency servicing and promote safe, reliable operation and long life.

- Regular Oil Changes** - every six (6) months. Oil Capacity - 1½ pints.
- Use of Proper Gear Oil** - Refer to oil chart below.

RECOMMENDED PLANETARY GEAR OIL

For simplicity, BRADEN has listed one (1) readily available product in each temperature range that has been tested and found to meet our specifications. This is not to say that other lubricant brands would not perform equally as well.

If the following lubricant brands are not available in your area, make certain your lubricant vendor supplies you with oil that is equivalent to those products listed below.



NOTE: SHADED TEMPERATURE RANGE IN THE CHART ABOVE NOT RECOMMENDED FOR SEVERE APPLICATIONS SUCH AS: OFFSHORE CRANES, SUSTAINED FAST DUTY CYCLES OR FREQUENT LIFTING.

Planetary hoists are factory filled with Mobilgear 600 XP 150, or equivalent. Consult your oil supplier for other equivalent oils if required.

Mobil	Shell	Chevron	Texaco
Mobilgear 600 XP 150	Omala 150	Gear Compounds EP 150	Meropa 150
Mobilgear 600 XP 220	Omala 220	Gear Compounds EP 220	Meropa 220