

MODEL H90VS WINCH for Komatsu D65EX-15 CRAWLER DOZER

CARCO®

for Komatsu

MODEL DESCRIPTION:

The Carco H90VS is a triple reduction, hydraulically driven, planetary winch. The fabricated steel winch frame and all working parts are designed from the beginning to handle the harshest environments and toughest jobs experienced by high-performance crawler tractors.

The ripper control circuit of the Komatsu D65EX-15 standard hydraulic system is employed to provide hydraulic power to the winch. No connection to the tractor PTO is required.

The machine operator uses the standard Komatsu ripper control lever to obtain infinitely variable winch wire rope speed with positive load control in both reel-in and reel-out up to the maximum speed and load capacities shown in the performance graph on reverse. Load "fallback" is prevented by a sprag-type "one-way" clutch in the multi-disc static winch brake. A console mounted switch allows the operator to select between low-speed/high-load and high-speed/low-load settings. A second console mounted switch releases the multi-disc drum clutch to allow the machine to drive away from a stationary load while maintaining sufficient tension on the winch wire rope to ensure proper spooling.

Preventive maintenance of the winch system is reduced to regular scheduled maintenance of the standard tractor hydraulic system and winch gear oil changes. There are no mechanical adjustments required on the winch either for installation or ongoing operation. Anti-friction roller bearings and precision planetary gears assure high efficiency and quiet operation.

A heavy-duty 3-roller fairlead is built into the winch frame as standard equipment to minimize wear to the winch and maximize wire rope life. The single horizontal roller supplied can be mounted in either the high or low position as required for the specific job. A second horizontal roller is available as an option.

SPECIFICATIONS:

CABLE DRUM SIZE:

Throat Clearance8.50 in. (216 mm)
Barrel Diameter12.5 in. (318 mm)
Flange Diameter24.00 in. (610 mm)
Barrel Length9.00 in. (229 mm)

HYDRAULIC SYSTEM:

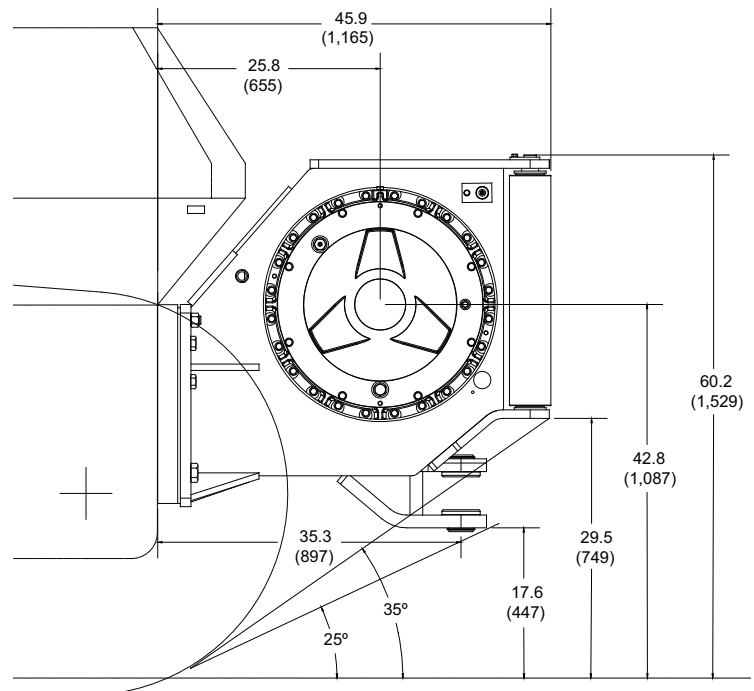
2-Speed fixed displacement vane motor with patented Braden brake valve
Low displacement 4 cu. in. (65 cc)
High Displacement 8 cu. in (131 cc)

PLANETARY GEARING:

212:1
Gear oil capacity: 12.5 qt.(12 L)

OPTIONS:

Second horizontal fairlead roller
Free Spooling Drum



Approved Cable Diameters	Maximum Theoretical Cable Capacity per SAE J1158†	Maximum Recommended Cable Capacity per SAE J706†	PACCAR Ferrule Part Number ‡
7/8 in (22mm)	291 ft (89 M)	204 ft (62 M)	--
1 in (26mm)	226 ft (69 M)	186 ft (57 M)	29427
1 1/8 in (28mm)	180 ft (55 M)	128 ft (39 M)	29428

† Refer to PACCAR Publication LIT2435 for more information on proper wire rope selection for PACCAR Winches.
‡ Use six-strand IWRC RRL Wire Rope with PACCAR Ferrules.

PACCAR WINCH DIVISION
P.O. BOX 547 BROKEN ARROW, OK U.S.A. 74013
PHONE (918) 251-8511 FAX (918) 259-1575
www.paccarwinch.com

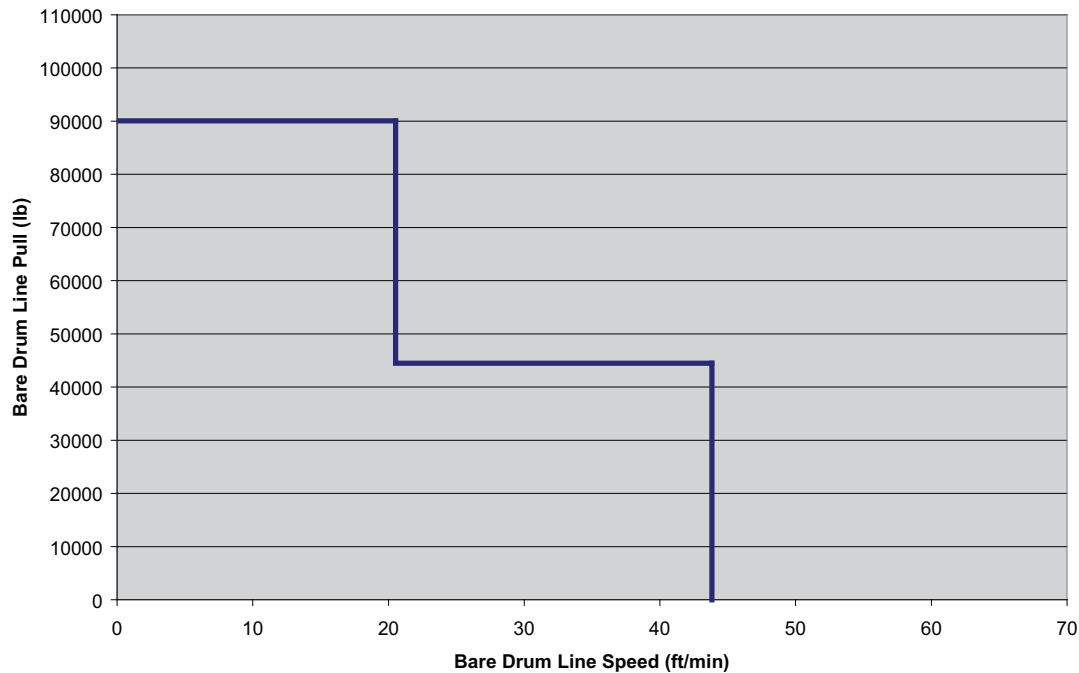
PERFORMANCE GRAPHS

The winch performance graph shown is based on utilization of the full pressure and flow available from the standard ripper control circuit of the D655AX/PX-15 hydraulic system.

Performance data is calculated using 1-1/8 in. (29mm) wire rope.

Maximum rated line pull is 90,000 lb (40,820 kg) and maximum warrantable cable diameter is 1-1/8 in. (29 mm).

Winch Performance based on 47.5 gpm (180 lpm) @ 2990 psi (20.6 mPa)



The H90 winch is capable of operating anywhere from less than 2 ft/min up to any combination of load and speed shown in the above graph.

Dealer Note: Tractor must be equipped with the complete Komatsu ripper control group including stack valve section, pilot control valve and lever assembly, and all hoses, brackets, manifolds, etc.