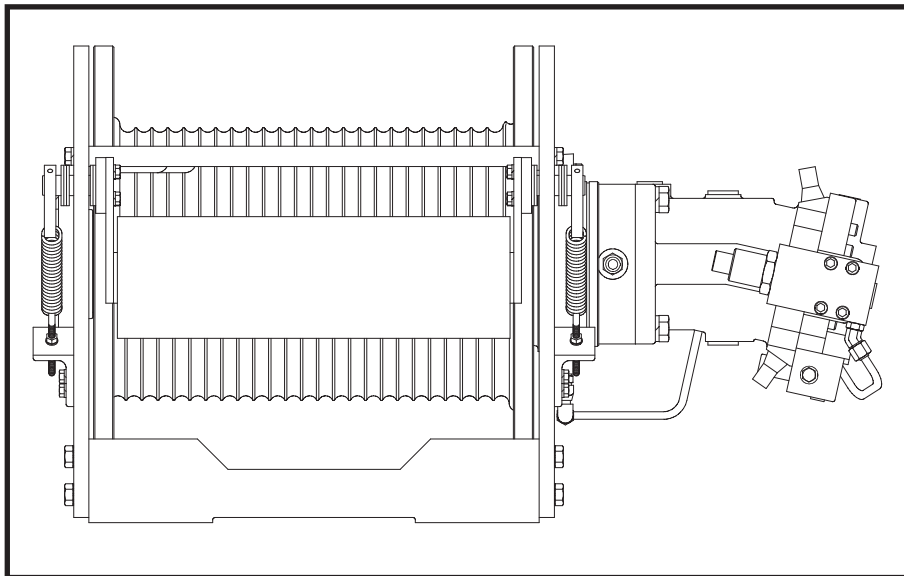


BRADEN[®]

PD17A HOIST

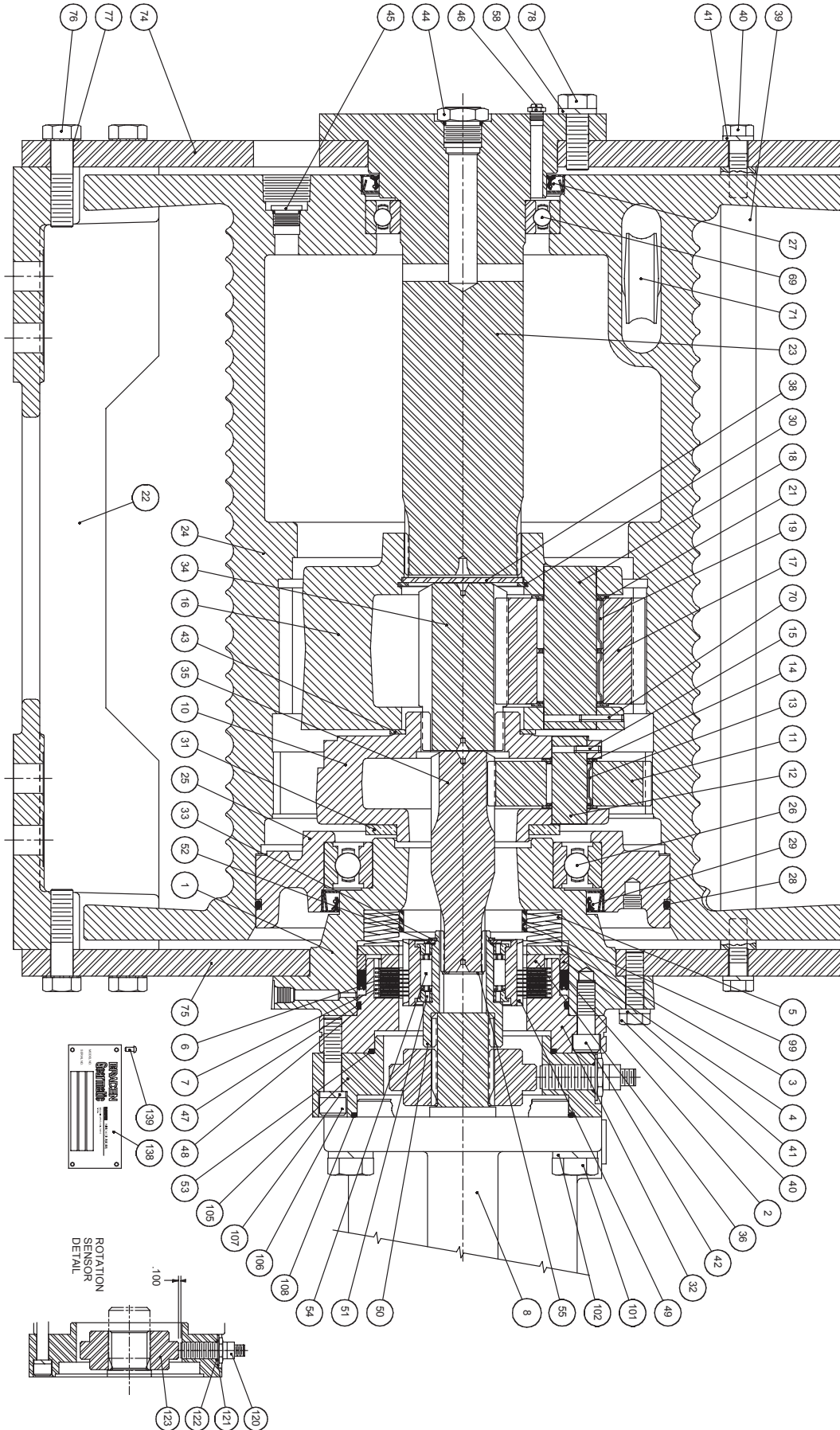
MATERIAL LIST

PART NO. 05633 & 05634



PACCAR WINCH DIVISION
P.O. BOX 547 BROKEN ARROW, OK U.S.A. 74013
PHONE (918) 251-8511 FAX (918) 259-1575
www.paccarwinch.com

PD17A COMPONENTS

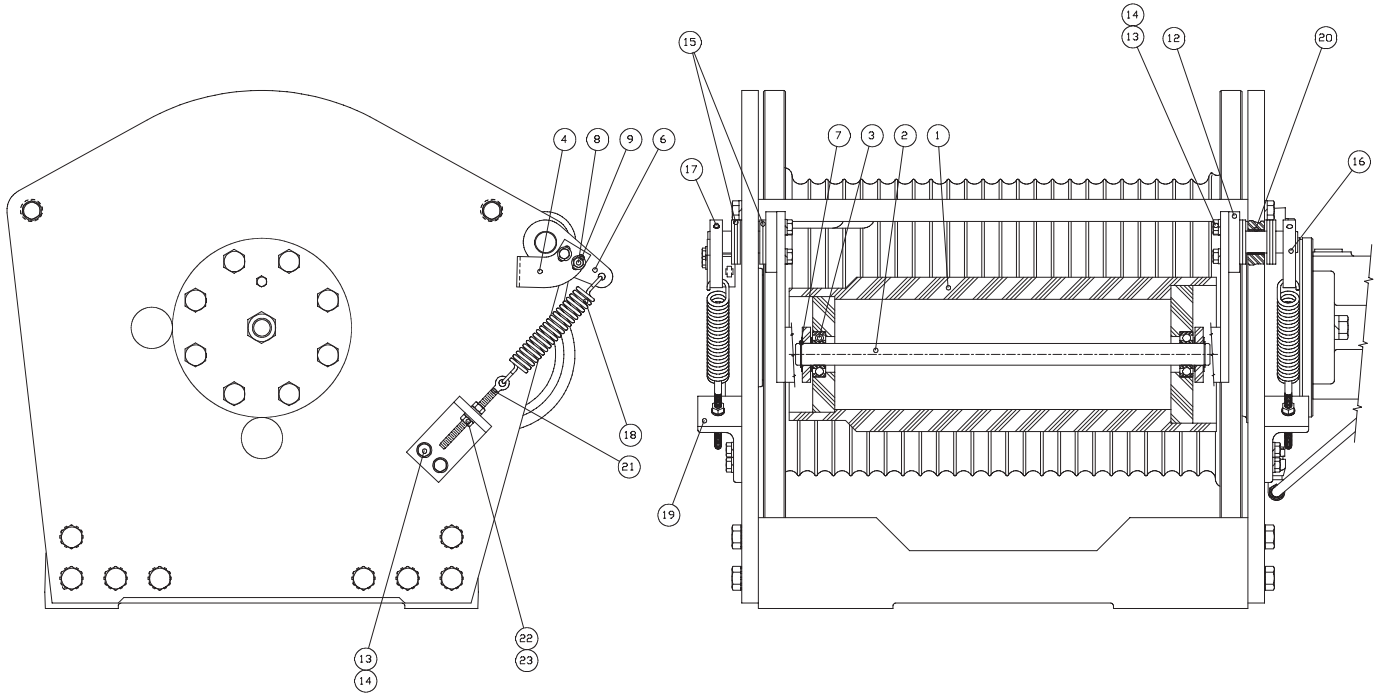


WINCH ASSEMBLY 05633 & 05634

ITEM	DESCRIPTION	PART NUMBER	QTY.
1	Brake Cylinder	101969	1
2	Seal	25642	1
3	Pressure Plate	25635	1
4	Piston Backup Ring	25636	1
5	Spring	25644	12
6	Brake Disc, Friction	21036	7
7	Brake Disc, Steel	100027	8
10	Primary Planet Carrier	100584	1
11	Primary Planet Gear	100585	3
12	Primary Planet Gear Shaft	29499	3
13	Roller Bearing	29500	3
14	Thrust Washer	25361	6
15	Spirol Pin	24113	3
16	Output Planet Carrier	101970	1
17	Output Planet Gear	24576	3
18	Output Planet Gear Shaft	24573	3
19	Roller Bearing	24580	6
21	Thrust Washer	24307	6
22	Base	101954	1
23	Bearing Support	101916	1
24	Cable Drum (grooved)	101966	1
25	Drum Closure	102145	1
26	Bearing	24487	1
27	Seal	72195	1
28	O-Ring	24773	1
29	Seal	10427	1
30	Retaining Ring	101972	1
31	Thrust Washer	29512	1
32	Motor Support	100459	1
33	Retaining Ring	24866	1
34	Output Sun Gear	24571	1
35	Primary Sun Gear	102146	1
36	Spacer	25637	1
38	Thrust Washer	101971	1
39	Tie Bar	101973	2
40	Capscrew (1/2 NC X 1-3/4 G5)	104323	12
41	Lockwasher (1/2)	11026	12

42	Capscrew (1/2 NC X 1-1/2 G8)	21908	4
43	Thrust Washer	24485	1
44	Sight Gauge	70193	1
45	Plug, O-Ring Flush	32411	1
46	Vent Plug	18062	1
47	O-Ring	24981	1
48	Backup-Ring	25643	1
49	Outer Brake Race	NSS*	1
50	Inner Brake Race	NSS*	1
51	Sprag Bearing	27684	2
52	Sprag Bearing Retainer	24862	1
53	O-Ring	10330	1
54	Sprag Clutch	NSS*	1
55	Retaining Ring	24506	1
58	Lockwasher (5/8)	102423	8
69	Bearing	30871	1
70	Spirol Pin	24582	3
71	Cable Wedge	24494	1
74	Support Sideplate	101964	1
75	Motor Sideplate	101963	1
76	Capscrew (5/8 NC X 2-1/2 G8)	102134	16
77	Washer (5/8)	13449	16
78	Capscrew (5/8 NC X 1-3/4 G8)	103249	8
99	Spring Spacer	100200	1
101	Capscrew (3/4 NC X 2-3/4 G8)	103251	4
102	Lockwasher (3/4)	13435	4
105	Motor Adapter	102734	1
106	Capscrew (1/2 NC X 2-1/4 G8)	103252	4
107	Lockwasher (1/2 hi collar)	103254	4
108	O-Ring	10052	1
120	Proximity Sensor	103567	1
121	Thrust Washer	24913	1
122	O-Ring	24776	1
123	Sensor Hub	101968	1
138	Nameplate	76381	1
139	Drive Screw	11842	4

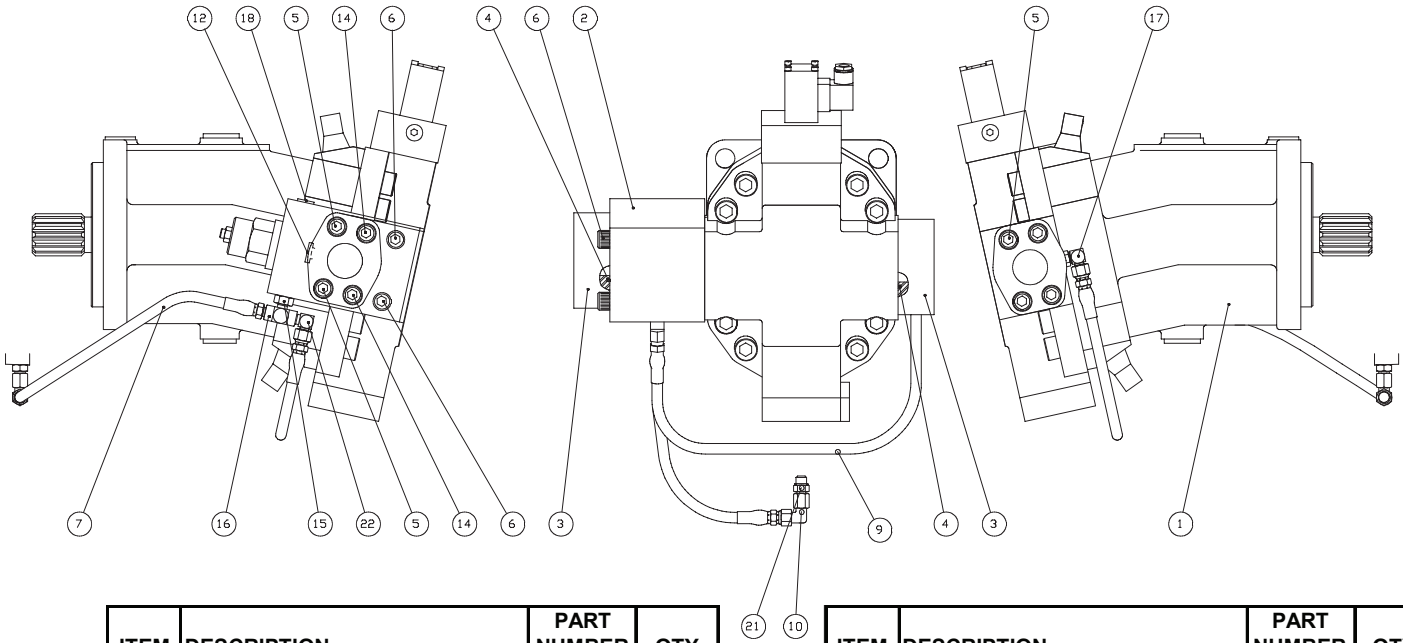
* NSS - Not Serviced Separately. Must replace entire sprag clutch assembly, Part No. 82499



TENSION ROLLER ASSEMBLY

ITEM	DESCRIPTION	PART NUMBER	QTY.
1	Roller	105993	1
2	Shaft, Roller	105998	1
3	Bearing Ball	11862	2
4	Switch Bracket	105999	1
6	Lever Arm	106003	1
7	Snap Ring	11953	2
8	Capscrew	104301	4
9	Washer	11072	4
10	Arm, Roller	106014	1
11	Arm, Roller	106015	1
12	Spring Pin	101981	2
13	Capscrew	104309	12
14	Lockwasher	27152	12
15	Washer	40162	10
16	Lever Arm	101878	1
17	Rollpin	12195	2
18	Tension Spring	101879	2
19	Bracket, Roller	101729	2
20	Bushing	101892	2
21	Rod End, Roller	101726	2
22	Lockwasher	11024	4
23	Nut, Hex	104254	4

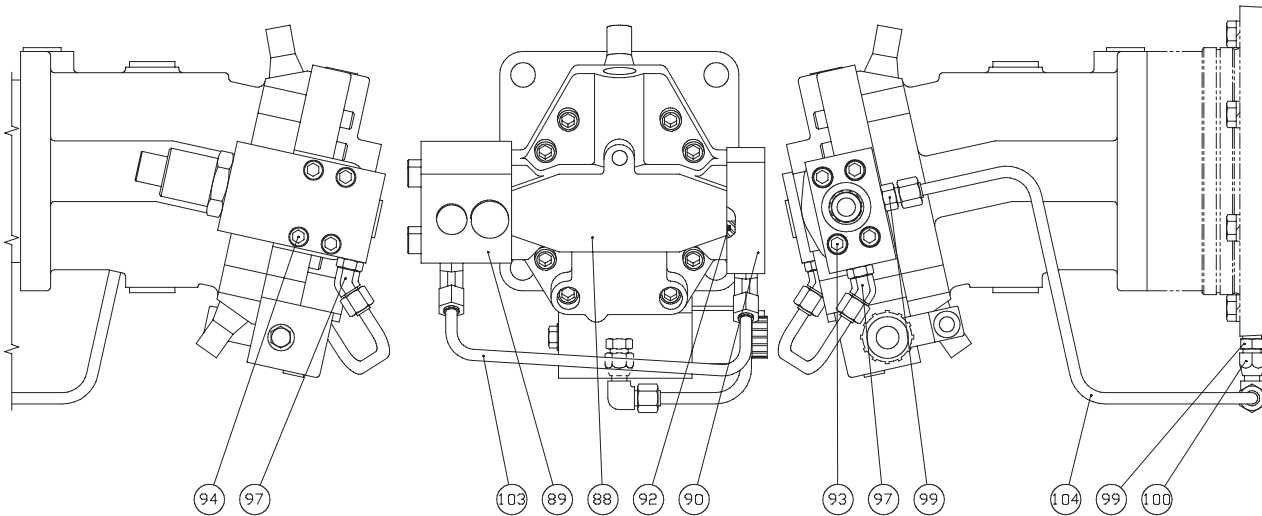
HYDRAULIC MOTOR SUB-ASSEMBLY (FOR WINCH 05633)



ITEM	DESCRIPTION	PART NUMBER	QTY
1	Hydraulic Motor	106262	1
2	Brake Valve	101673	1
3	Manifold	100520	1
4	O-Ring	13838	2
5	Capscrew (1/2 NC X 1-1/2 G8 Z)	21908	6
6	Capscrew (1/2 NC X 4-1/2 G8 Z)	23690	2
7	Hose Assembly	13707	1
9	Hose Assembly	25952	1
10	Elbow, 90 Deg. Swivel Nut	26140	1

ITEM	DESCRIPTION	PART NUMBER	QTY
12	Plug	69325	1
14	Capscrew (1/2 NC X 5-1/2 G8 Z)	23445	2
15	Adapter Fitting	100305	1
16	Tee, Male Branch	22934	1
17	Elbow Fitting	25302	1
18	Plug	25665	1
21	Adapter Fitting	25864	1
22	Elbow Fitting	21163	2

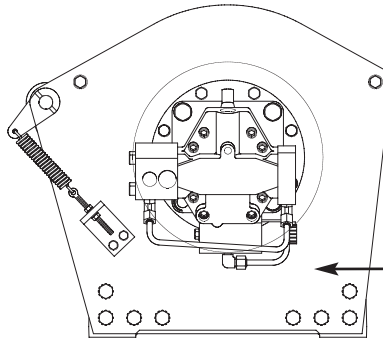
HYDRAULIC MOTOR SUB-ASSEMBLY (FOR WINCH 05634)



ITEM	DESCRIPTION	PART NUMBER	QTY.
88	Hydraulic Motor	106263	1
89	Brake Valve	101532	1
90	Manifold	28964	1
92	O-Ring	25366	1
93	Capscrew (7/16 NC X 1-1/2 Soc Hd G8)	21135	4
94	Capscrew (7/16 NC X 3-3/4 Soc Hd G8)	101150	4
97	Elbow, 45 degree	101720	2
99	Adapter	100946	2
100	Elbow, 90 degree	100945	1
103	Tube Assembly	102069	1
104	Tube Assembly	102068	1

MODEL NUMBER AND SERIAL NUMBER

When information on a hoist is needed, always refer to the model number and serial number. Both are located on the top of the motor side end plate as indicated.



MODEL NUMBER
AND
SERIAL NUMBER

EXPLANATION OF MODEL NUMBER

PD **17** **A - SPL - 47** **V065/042** - **27** **G**
 POWER MAX DESIGN SPECIAL GEAR MOTOR DRUM DRUM
 DRUM RATING SERIES RATIO SIZE SIZE OPTION

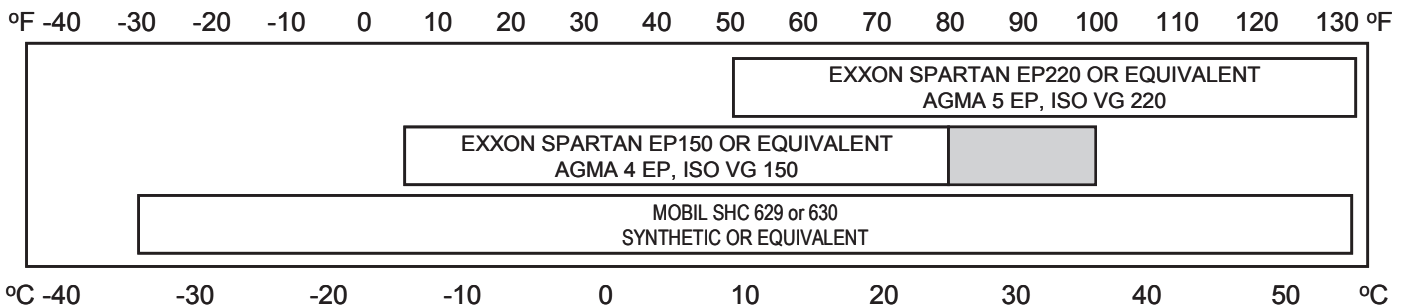
- PD** DESIGNATES POWER DRUM SERIES HOIST
- 17** DESIGNATES 17,000 LB FIRST LAYER LINE PULL
- A** DESIGNATES THE MODEL SERIES RELATING TO DESIGN CHANGES
- 47** DESIGNATES TOTAL GEAR REDUCTION
- V065/042** DESIGNATES VARIABLE DISPLACEMENT HYDRAULIC MOTOR IN CU IN./REV
 (065/042 = 6.5 CU IN. MAX. & 4.2 CU IN. MIN. DISPLACEMENT)
- 27** DESIGNATES THE DRUM SIZE
- G** DESIGNATES GROOVED DRUM

Oil Capacities - 01 Drum 33 pints (15.6 L) - 02 Drum 51 pints (24.1 L)

Capacities are approximate. Fill hoist to center of sight gauge in support endplate with drum in a horizontal position.

RECOMMENDED PLANETARY GEAR OIL

PREVAILING AMBIENT TEMPERATURE



NOTE: SHADED TEMPERATURE RANGE IN THE CHART ABOVE NOT RECOMMENDED FOR SEVERE APPLICATIONS SUCH AS: OFFSHORE CRANES, SUSTAINED FAST DUTY CYCLES OR FREQUENT LIFTING.

Texaco Meropa 150, previously used as factory fill, may no longer be widely available due to current market conditions. As of mid-year 2002, planetary hoists are factory filled with Exxon Spartan EP150, or equivalent. The chart below relates the Texaco products to 4 currently available oils. Consult your oil supplier for other equivalent oils if required.

Texaco	Exxon	Mobil	Shell	Chevron
Meropa 150	Spartan EP 150	Mobilgear 629	Omala 150	American Industrial Oils 150
Meropa 220	Spartan EP 220	Mobilgear 630	Omala 220	American Industrial Oils 220