

MODEL H60 WINCH for John Deere 750J CRAWLER TRACTORS

CARCO®

for JOHN DEERE

MODEL H60 FEATURES

- Precise Load Control with No Fall-Back
- Load can be "Feathered" Without Damaging Winch Components
- Patented Drum Release Clutch Maintains Rope Tension While Driving Away from a Load
- Hydraulic Motor and Gear Ratio Matched to Tractor Hydraulics to Maximize Available Power

MODEL H60 DESCRIPTION

- All Winch Components Enclosed in a Rigid, Cast Ductile Iron Housing
- Hydraulically Driven by the Tractor Hydraulic System, **NO PTO** Connection Required
- Bolt-On Fairlead Mounting Lugs and Heavy-Duty Rigid Draw Bar.
- Standard Freespool and Brake-Off

SPECIFICATIONS

GENERAL SPECIFICATIONS

Overall Winch Gear Ratio 139.3:1
 Cable Drum Barrel Diameter 10 in. (254 mm)
 Cable Drum Flange Diameter 20 in. (508 mm)
 Cable Drum Barrel Length 12 3/8 in. (314 mm)

HYDRAULIC SYSTEM

Gear Case Oil Capacity 20 qts. (19L)

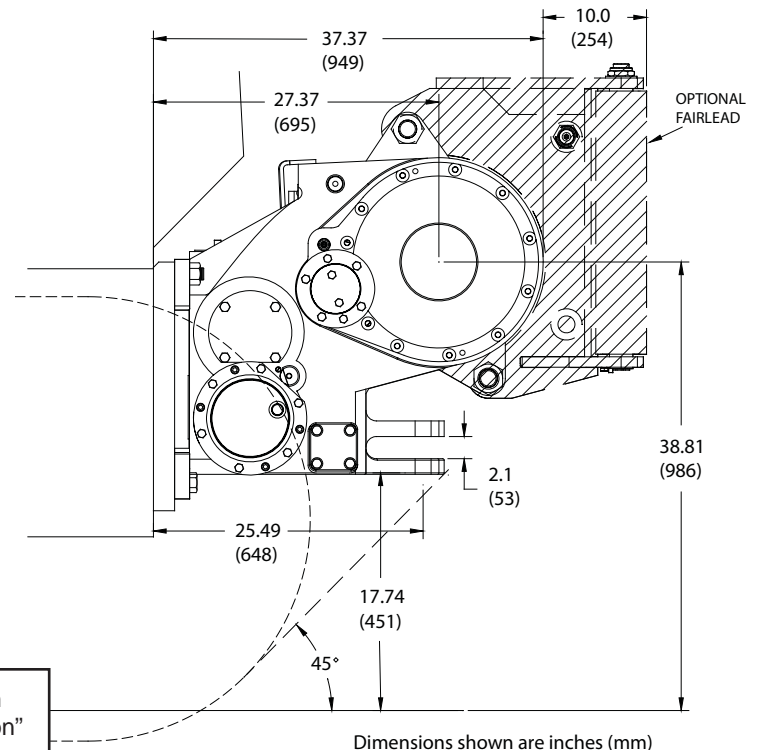
Static Brake Release Pressure
 approx 400 PSI (2760 kPa)

Brake-Off (Drum Clutch Release) Pressure
 approx 320 PSI (2205 kPa)

Applied Weight * 2600 lb (1180 kg)

OPTIONS

3 or 4 Roller Fairlead
 Extended Draw Bar



NOTE: Tractor **MUST** be equipped with John Deere "Winch Plumbing Installation" (JD Part Number AT311189)

Approved Cable Diameters	Maximum Theoretical Cable Capacity per SAE J1158†	Maximum Recommended Cable Capacity per SAE J706†	PACCAR Ferrule Part Number ‡
3/4 in (19 mm)	391 ft (119 M)	267 ft (81 M)	29424
7/8 in (22 mm)	281 ft (86 M)	180 ft (55 M)	29425
1 in (26 mm)	218 ft (66 M)	163 ft (50 M)	29426

* Base winch without mounting arrangement, oil, or wire rope.

† Refer to PACCAR Publication LIT2435 for more information on proper wire rope selection for PACCAR Winches.

‡ Use six-strand IWRC RRL Wire Rope with PACCAR Ferrules.

PACCAR WINCH DIVISION

P.O. BOX 547 BROKEN ARROW, OK U.S.A. 74013
 PHONE (918) 251-8511 FAX (918) 259-1575

www.paccarwinch.com

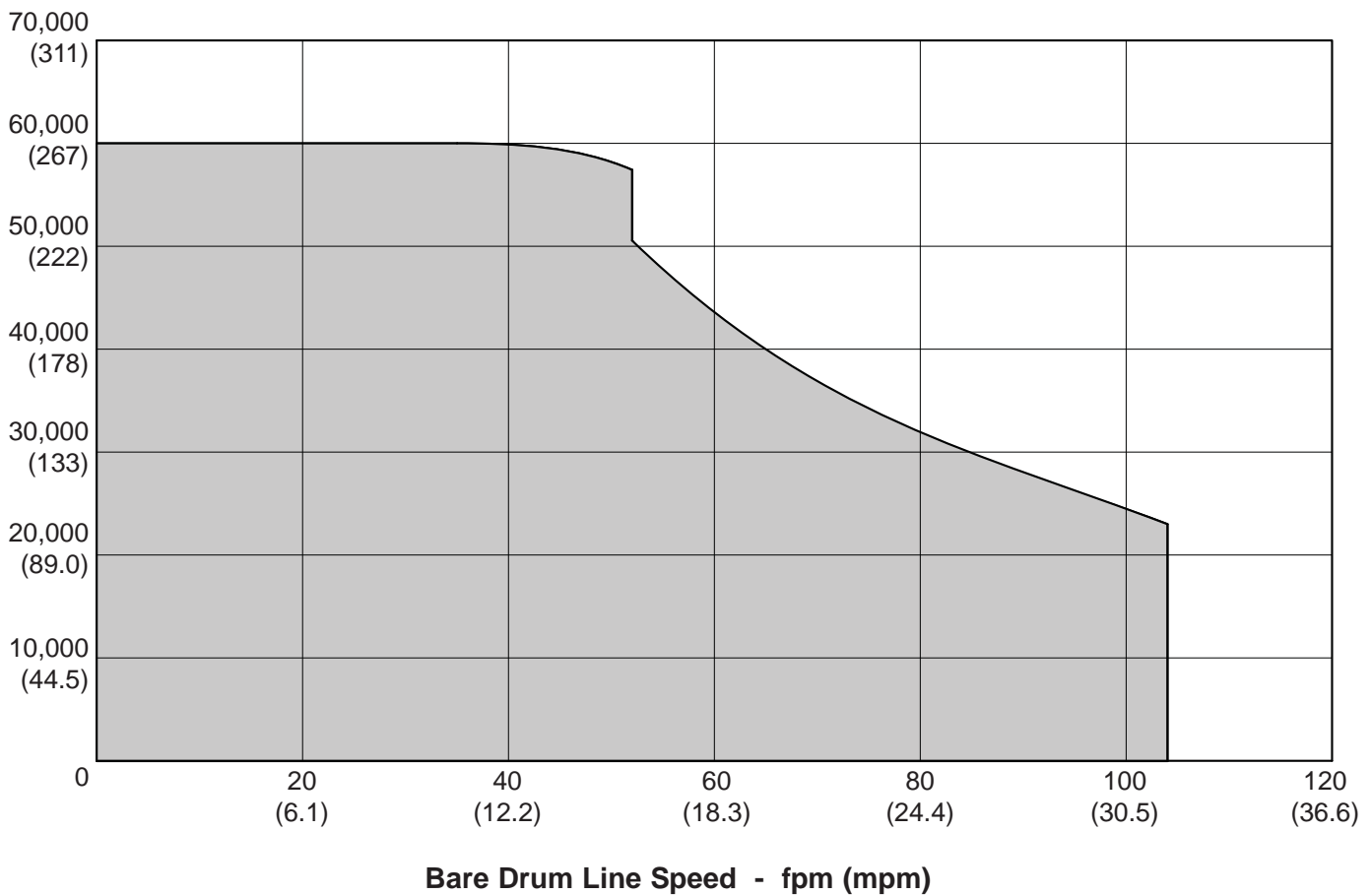
PERFORMANCE GRAPH:

Winch performance graph is based on utilization of the full flow and pressure available from the tractor high pressure hydraulic system. Performance data shown is calculated using 0.75 in. (19 mm) wire rope.

Maximum warrantable wire rope diameter is 1.0 in. (25 mm).

CARCO H60 WINCH ON JOHN DEERE 750J TRACTOR 3,600 psi (24,800 kPa) @ 55 gpm (208 lpm)

Bare Drum
Line Pull -
LBS (kN)



The H60 winch is capable of operating anywhere in the shaded area of the graph.