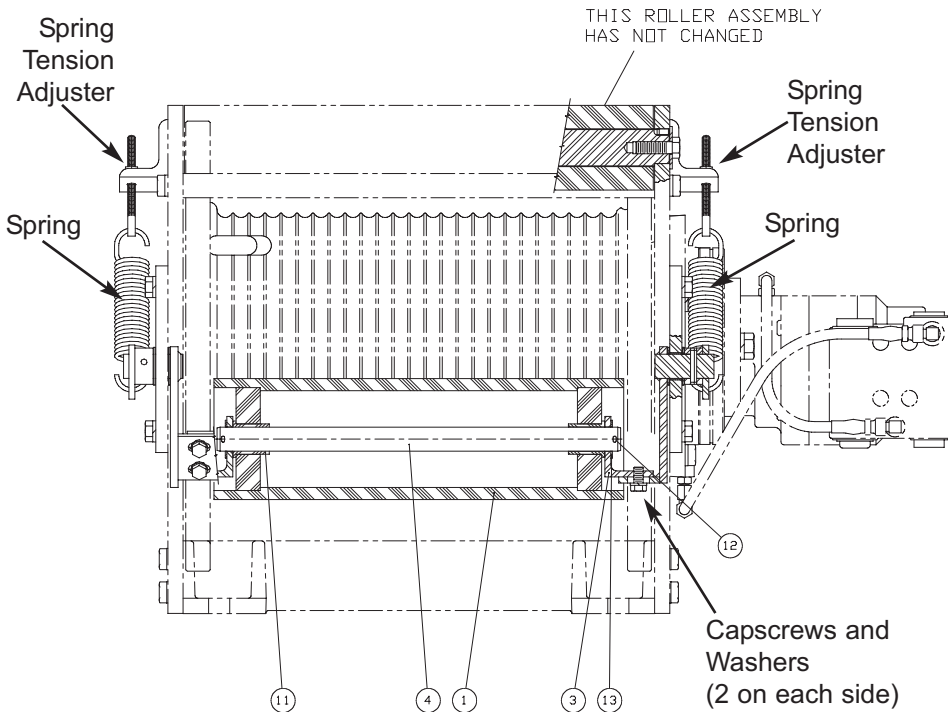


# BRADEN PD12C Roller Conversion Kit P.N. 63920

Parts Kit to convert early bushing roller assembly to current style with ball bearings.



## EARLY ROLLER ASSEMBLY

Release tension on roller by backing off both adjusting screws and removing the springs.

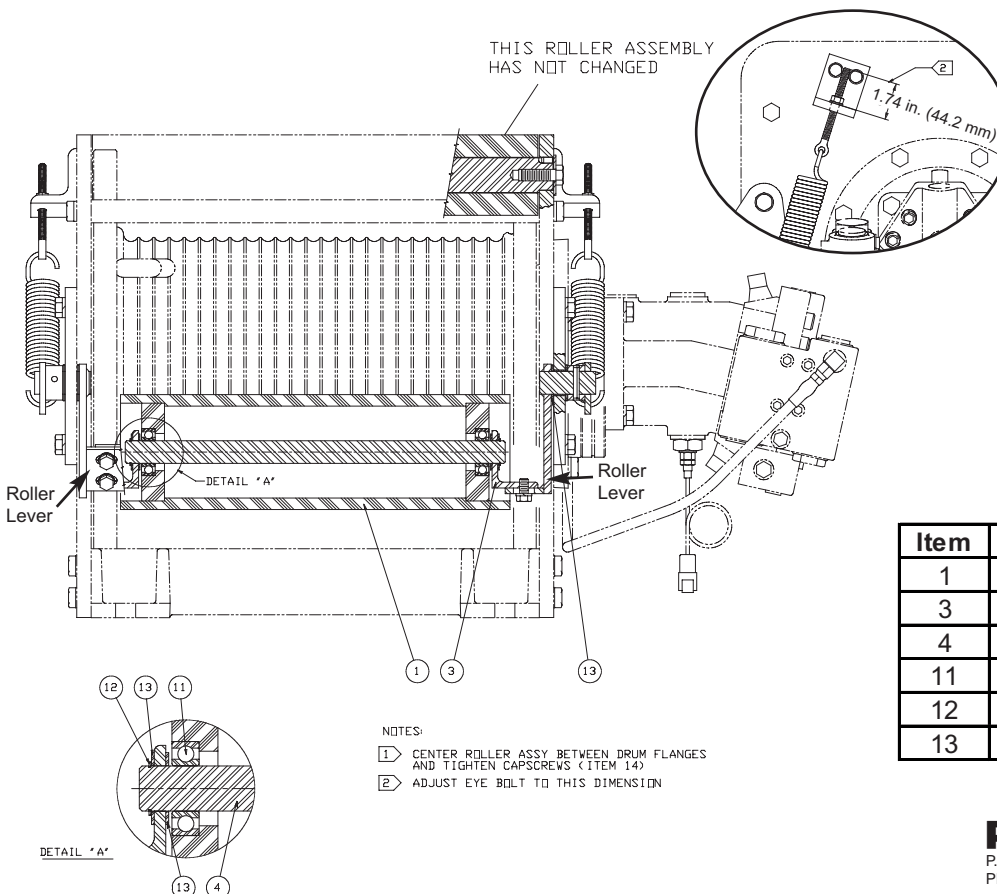
Remove the complete roller assembly by removing the four (4) capscrews and washers as shown.

## CURRENT ROLLER ASSEMBLY

Assemble all parts in kit as shown.

Attach new roller assembly to roller levers as shown, using the four(4) capscrews and washers from the original roller assembly. Center the roller between the drum flanges and tighten capscrews.

Attach springs between roller levers and eye bolts. Adjust eye bolt to dimension shown in insert at left.



## Parts included in kit 63920

Item	P.N.	Description	Qty
1	106316	Roller	1
3	106315	Roller Bracket	2
4	106313	Roller Shaft	1
11	11862	Ball Bearing	2
12	11953	Snap Ring	2
13	25361	Thrust Washer	4

- NOTES:
- 1 CENTER ROLLER ASSY BETWEEN DRUM FLANGES AND TIGHTEN CAPSCREWS (ITEM 14)
  - 2 ADJUST EYE BOLT TO THIS DIMENSION