

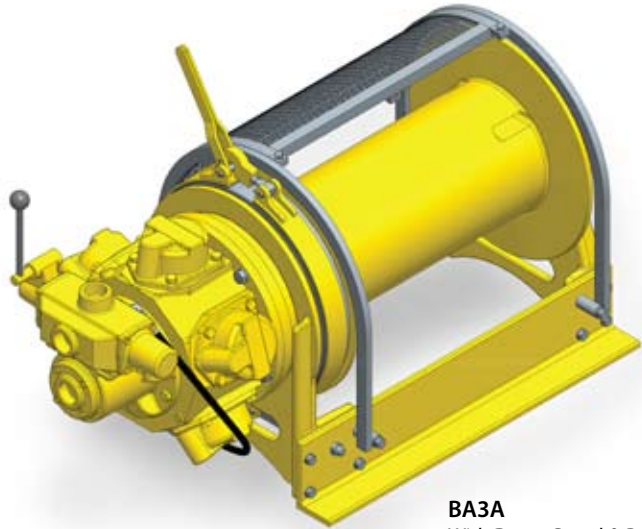
Air Winch Series

BA2A - BA5A 5,000 - 11,000 LB Capacity

BRADEN
PACCAR WINCH DIVISION



Gulf of Mexico Man Rider Rated



BA3A
With Drum Guard & Band-brake

Standard Features:

- Designed in accordance with ANSI/ASME B30.5 & B30.7
- 5:1 utility use design factor at rated load
- Enclosed oil bath "wet" disc brake for outstanding load control
- Overrunning clutch to prevent fall-back
- Winch mounted throttle
- Marine Grade polysiloxane paint

Optional:

- Manual band brake
- Zinc plated drum guard
- Personnel Rating in accordance with API 2C
- Zinc plated construction cage

Building on the Braden tradition of superior performance and reliability, the new Braden Air Series offer increased performance, superior load control and industry proven reliability. The Braden Air Series utilize the field proven components of "PD" Series winch family. Established reliability and performance, industry leading technology, and a solid network of product support all make Braden Air Winches the best value for your application.

Specifications

UTILITY RATING - 5:1 DESIGN FACTOR

90 psi (6.3 bar) air inlet pressure with motor running

MODEL NO.	5th LAYER LINE PULL		5th LAYER LINE SPEED		AVG. AIR CONSUMPTION AT RATED LOAD		MAX. STALL PULL 1ST LAYER**		PIPE INLET SIZE		HOSE SIZE	
	lbs	kg	fpm	mpm	scfm	m ³ /min	lbs	kg	in.	mm	in.	mm
BA2A	5,000	2,268	47	14	340	9.6	9,600	4,091	1	32	1 1/2	38
BA3A	7,000	3,175	132	40	700	19.9	14,800	4,545	1 1/2	38	2	50
BA5A	11,000	4,990	87	27	700	19.9	21,400	10,909	1 1/2	38	2	50

PERSONNEL RATING - 10:1 DESIGN FACTOR

MODEL NO.	5th LAYER LINE PULL		5th LAYER LINE SPEED	
	lbs	kg	fpm	mpm
BA2A	1,700	771	47	14
BA3A	2,300	1,043	132	40
BA5A	3,700	1,678	87	27

NOTE: Manual band brake and cable drum safety cage are required for man lifting operations and API-2C.



PACCAR WINCH DIVISION
P.O. BOX 547 BROKEN ARROW, OK U.S.A. 74013
PHONE (918) 251-8511 FAX (918) 259-1575
www.paccarwinch.com

Copyright 2010 PACCAR Inc
All Rights Reserved

LIT2287_R7_01-2011

Air Winch Series

BA2A - BA5A 5,000 - 11,000 LB Capacity



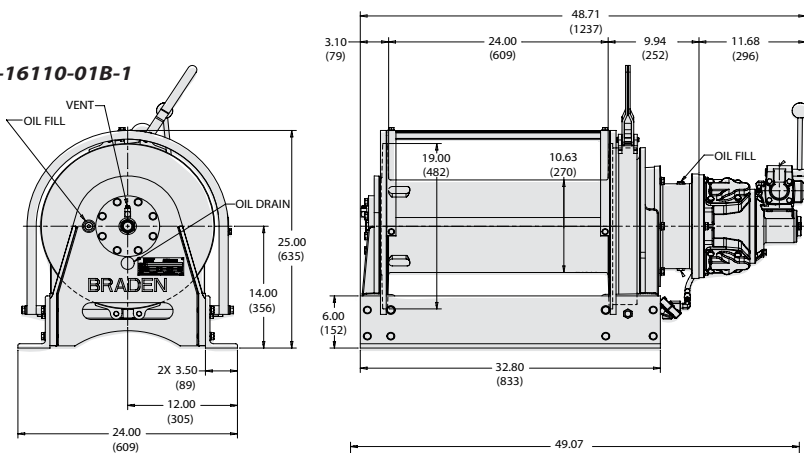
Wire Rope Storage Capacities

BA2A & BA3A DRUM CAPACITY (10.66" B x 19.00" F x 24.00" W)										BA5A DRUM CAPACITY (15.00" B x 26.50" F x 20.00" W)								
	D/d	1	2	3	4	5	6	7	8		D/d	1	2	3	4	5	6	7
1/2"	22.26:1	141	294	460	639	830	1034	1250	1479*	3/4"	21.00:1	109	228	358	498	649	810	982*
5/8"	18.01:1	114	240	379	531	695	872*											

* Layer does not meet ASME-ANSI B30.5
** Theoretical

Dimensions

BA2A-16110-01B-1



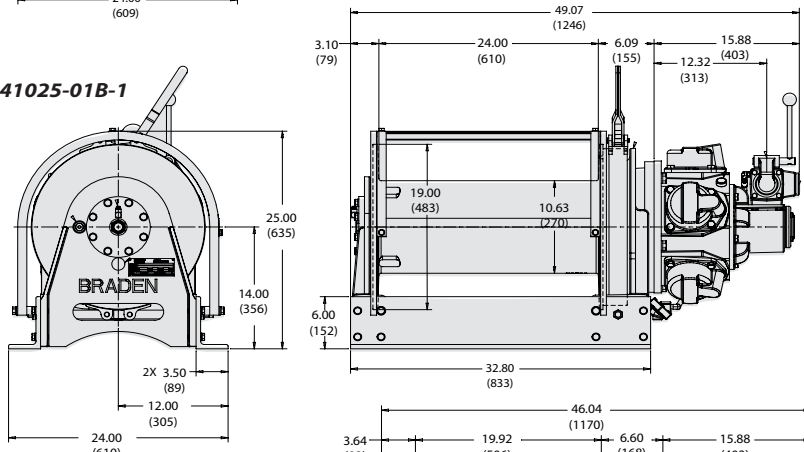
BA2A

90 psi (6.3 bar) AIR INLET PRESSURE WITH MOTOR RUNNING
Wire Rope Diameter: 1/2"

	LINE PULL		LINE SPEED		ROPE CAPACITY	
	LB	KG	FPM	MPM	FT	M
1	6,790	3,080	35	11	141	43
2	6230	2826	38	12	294	90
3	5760	2613	41	12	460	140
4	5350	2427	44	13	639	195
5*	5000	2268	47	14	830	253
6	4690	2127	50	15	1034	315

* WINCH IS RATED ON 5TH LAYER LINE PULL

BA3A-41025-01B-1



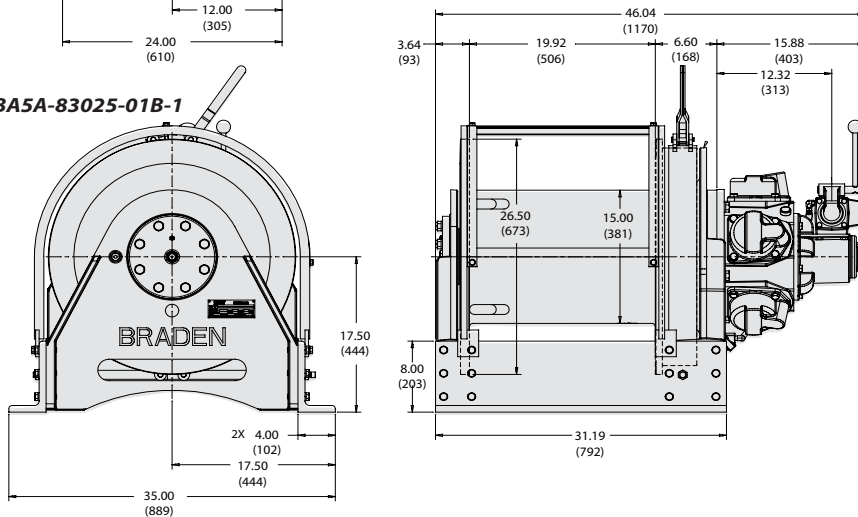
BA3A

90 psi (6.3 bar) AIR INLET PRESSURE WITH MOTOR RUNNING
Wire Rope Diameter: 5/8"

	LINE PULL		LINE SPEED		ROPE CAPACITY	
	LB	KG	FPM	MPM	FT	M
1	9820	4454	92	28	114	35
2	8920	4046	102	31	240	73
3	8170	3706	112	34	379	116
4	7540	3420	122	37	531	162
5*	7000	3175	132	40	695	212
6	6530	2962	142	43	872	266

* WINCH IS RATED ON 5TH LAYER LINE PULL

BA5A-83025-01B-1



BA5A

90 psi (6.3 bar) AIR INLET PRESSURE WITH MOTOR RUNNING
Wire Rope Diameter: 3/4"

	LINE PULL		LINE SPEED		ROPE CAPACITY	
	LB	KG	FPM	MPM	FT	M
1	15180	6886	63	19	109	33
2	13860	6287	69	21	228	69
3	12760	5788	75	23	358	109
4	11810	5357	81	25	498	152
5*	11000	4990	87	27	649	198
6	10290	4668	93	28	810	247

* WINCH IS RATED ON 5TH LAYER LINE PULL