

EXPLANATION OF MODEL NUMBER



- SD** DESIGNATES SWING DRIVE
- 40** DESIGNATES 40,000 INCH-POUND TORQUE RATING
- B** DESIGNATES THE MODEL SERIES RELATING TO DESIGN CHANGES

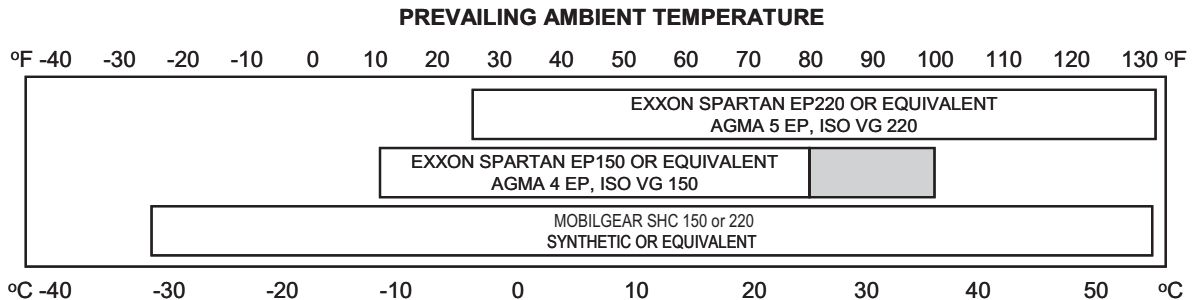
TO ORDER:

- (1) List model and serial numbers of the drive unit.
- (2) Refer to exploded view and select the component(s) needed and note item number.
- (3) Find item number on material list, show part number, description and quantity required on your order.
- (4) Refer to Parts List and show price for each component or assembly.

RECOMMENDED PLANETARY GEAR OIL

For simplicity, BRADEN has listed available products in each temperature range that have been tested and found to meet our specifications. This is not to say that other lubricant brands would not perform equally as well.

If the following lubricant brands are not available in your area, make certain your lubricant vendor supplies you with oil that is equivalent to those products listed below.

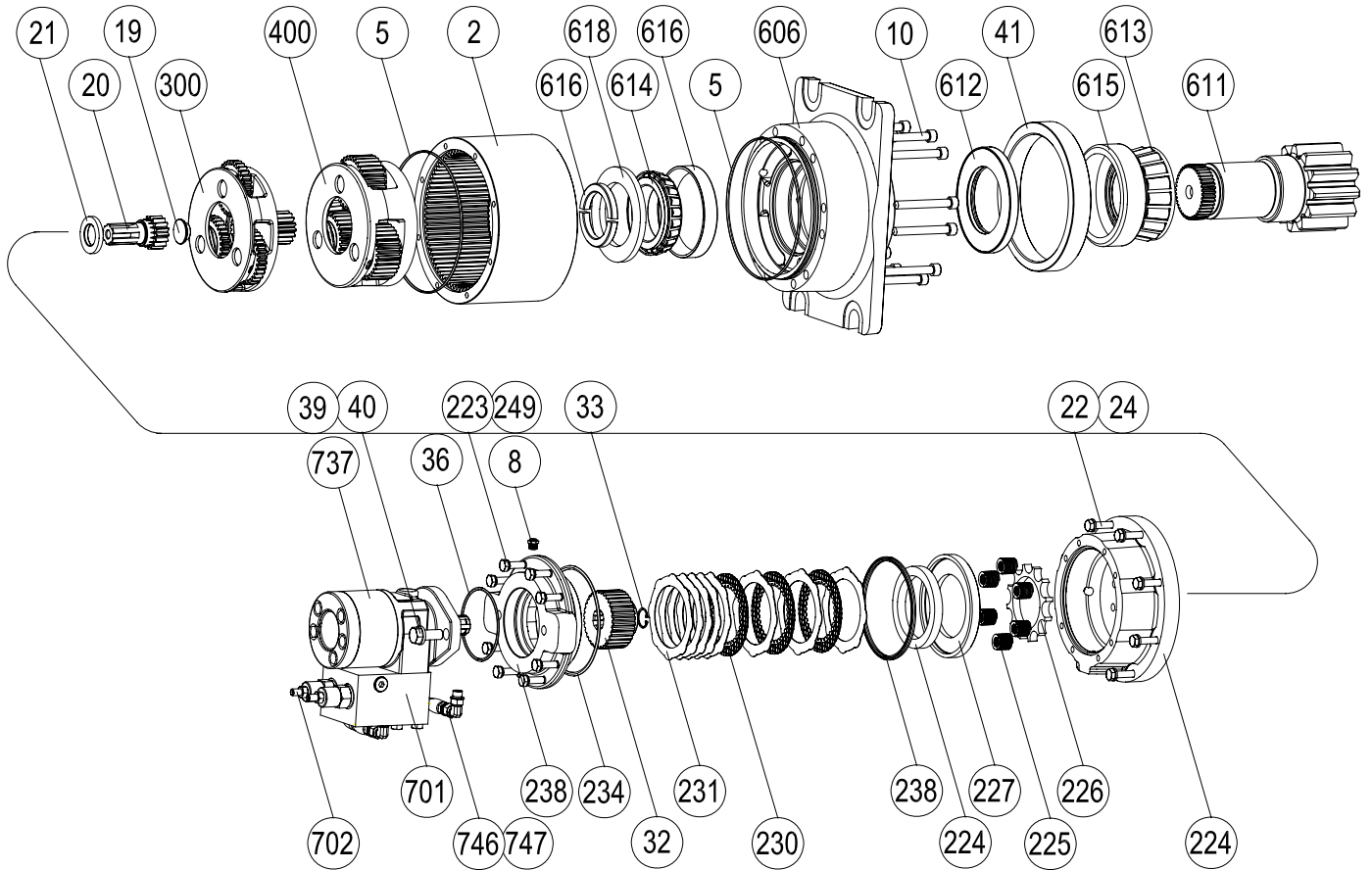


i **NOTE:** SHADED TEMPERATURE RANGE IN THE CHART ABOVE NOT RECOMMENDED FOR SEVERE APPLICATIONS SUCH AS: OFFSHORE CRANES, SUSTAINED FAST DUTY CYCLES OR FREQUENT LIFTING.

Texaco Meropa 150, previously used as factory fill, may no longer be widely available due to current market conditions. As of mid-year 2002, planetary hoists are factory filled with Exxon Spartan EP150, or equivalent. The chart below relates the Texaco products to 4 currently available oils. Consult your oil supplier for other equivalent oils if required.

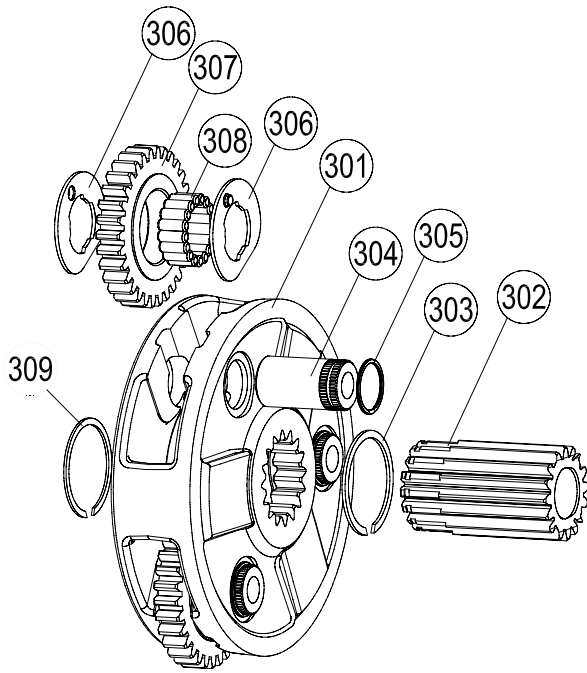
Texaco	Exxon	Mobil	Shell	Chevron
Meropa 150	Spartan EP 150	Mobilgear 629	Omala 150	Gear Compounds EP 150
Meropa 220	Spartan EP 220	Mobilgear 630	Omala 220	Gear Compounds EP 220

COMPONENT ASSEMBLY



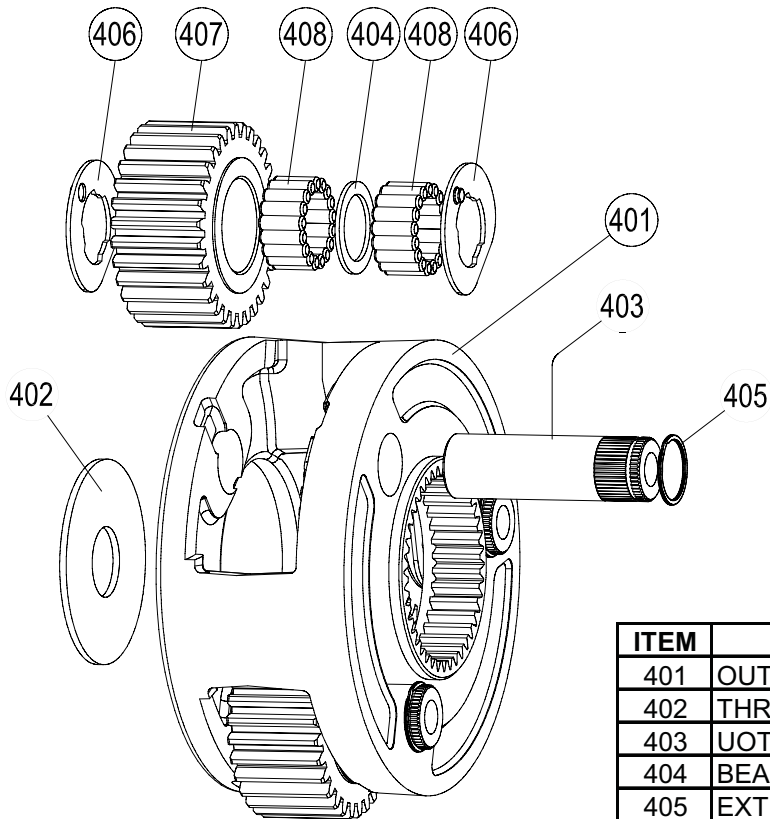
ITEM	DESCRIPTION	PART #	QTY	ITEM	DESCRIPTION	PART #	QTY
2	RING GEAR	105817	1	40	LOCKWASHER	11026	2
5	O-RING	28973	2	41	ECCENTRIC RING	103525	1
6	BEARING CARRIER	103500	1	134	O-RING	70138	1
8	RELIEF VALVE	18062	1	223	LOCKWASHER	103495	8
10	CAPSCREW	106324	12	224	BRAKE HOUSING	103482	1
11	OUTPUT PINION	105788	1	225	SPRING	26094	6
12	LIP SEAL	103519	1	226	SPRING LOCATOR	100136	1
13	TAPERED ROLLER BEARING	103505	1	227	SPRING PLATE	25552	1
14	TAPERED ROLLER BEARING	103506	1	228	U-CUP SEAL	25594	1
15	BEARING CUP	26384	1	229	BRAKE PLATE SPACER	103578	1
16	BEARING CUP	26383	1	230	FRICTION DISC	25541	3
17	SPLIT RING	105794	1	231	BRAKE DISC	102314	8
18	RETAINING SPLIT RING	105796	1	238	MOTOR ADAPTER	103474	1
19	THRUST PLUG	106325	1	249	CAPSCREW	103494	8
20	PRIMARY SUN GEAR	103523	1	300	INPUT PLANET CARRIER GROUP	83370	1
21	THRUST WASHER	106337	1	400	OUTPUT PLANET CARRIER GROUP	105812	1
22	CAPSCREW	21466	8	701	BRAKE VALVE MANIFOLD	105192	1
24	LOCKWASHER	11024	8	702	CBV CARTRIDGE	106685	2
32	BRAKE COUPLING	29929	1	737	HYDRAULIC MOTOR	106219	1
33	SNAP RING	27535	1	744	CAPSCREW	106032	4
36	O-RING	29677	1	746	90-DEGREE ELBOW FITTING	25302	2
39	CAPSCREW	104174	2	747	HOSE ASSEMBLY	25936	1

INPUT CARRIER ASSEMBLY



ITEM	DESCRIPTION	PART #	QTY
301	PRIMARY PLANET CARRIER	105811	1
302	SUN GEAR	105809	1
303	EXTERNAL RETAINING RING	105806	1
304	PRIMARY PLANET PIN	105808	3
305	EXTERNAL RETAINING RING	105807	3
306	THRUST WASHER	105804	6
307	PRIMARY PLANET GEAR	105813	3
308	ROLLER BEARING	105810	51
309	EXTERNAL RETAINING RING	105823	1

OUTPUT CARRIER ASSEMBLY



ITEM	DESCRIPTION	PART #	QTY
401	OUTPUT PLANET CARRIER	105812	1
402	THRUST SPACER	105805	1
403	UOUTPUT PLANET PIN	105816	3
404	BEARING SPACER	105815	3
405	EXTERNAL RETAINING RING	105807	3
406	THRUST WASHER	105804	6
407	OUTPUT PLANET GEAR	105814	3
408	ROLLER BEARING	105803	102

METRIC CONVERSION TABLE

MULTIPLY:	BY:	TO GET:	MULTIPLY:	BY:	TO GET:
LINEAR					
inches (in.)	X 25.4	= millimeters (mm)	millimeters (mm)	X 0.3937	= inches (in.)
feet (ft.)	X 0.3048	= meters (m)	meters (m)	X 3.281	= feet (ft.)
miles (mi.)	X 1.6093	= kilometers (km)	kilometers (km)	X 0.6214	= miles (mi.)
AREA					
inches ² (sq.in.)	X 645.15	= millimeters ² (mm ²)	millimeters ² (mm ²)	X 0.000155	= inches ² (sq.in.)
feet ² (sq.ft.)	X 0.0929	= meters ² (m ²)	meters ² (m ²)	X 10.764	= feet ² (sq.ft.)
VOLUME					
inches ³ (cu.in.)	X 0.01639	= liters (l)	liters (l)	X 61.024	= inches ³ (cu.in.)
quarts (qts.)	X 0.94635	= liters (l)	liters (l)	X 1.0567	= quarts (qts.)
gallons (gal.)	X 3.7854	= liters (l)	liters (l)	X 0.2642	= gallon (gal.)
inches ³ (cu.in.)	X 16.39	= centimeters ³ (cc)	centimeters ³ (cc)	X 0.06102	= inches ³ (cu.in.)
feet ³ (cu.ft.)	X 28.317	= liters (l)	liters (l)	X 0.03531	= feet ³ (cu.ft.)
feet ³ (cu.ft.)	X 0.02832	= meters ³ (m ³)	meters ³ (m ³)	X 35.315	= feet ³ (cu.ft.)
fluid ounce (fl.oz.)	X 29.57	= milliliters (ml)	milliliters (ml)	X 0.03381	= fluid ounce (fl.oz.)
MASS					
ounces (oz.)	X 28.35	= grams (g)	grams (g)	X 0.03527	= ounces (oz.)
pounds (lbs.)	X 0.4536	= kilograms (kg)	kilograms (kg)	X 2.2046	= pounds (lbs.)
tons (2000 lbs.)	X 907.18	= kilograms (kg)	kilograms (kg)	X 0.001102	= tons (2000 lbs.)
tons (2000 lbs.)	X 0.90718	= metric tons (t)	metric tons (t)	X 1.1023	= tons (2000 lbs.)
tons (long) (2240 lbs.)	X 1013.05	= kilograms (kg)	kilograms (kg)	X 0.000984	= tons (long) (2240 lbs.)
PRESSURE					
inches Hg (60°F)	X 3600	= kilopascals (kPa)	kilopascals (kPa)	X 0.2961	= inches Hg (60°F)
pounds/sq.in. (PSI)	X 6.895	= kilopascals (kPa)	kilopascals (kPa)	X 0.145	= pounds/sq.in. (PSI)
pounds/sq.in. (PSI)	X 0.0703	= kilograms/sq.cm. (kg/cm ²)	kilograms/sq.cm. (kg/cm ²)	X 14.22	= pounds/sq.in. (PSI)
pounds/sq.in. (PSI)	X 0.069	= bars	bars	X 14.5	= pounds/sq.in. (PSI)
inches H ₂ O (60°F)	X 0.2488	= kilopascals (kPa)	kilopascals (kPa)	X 4.0193	= inches H ₂ O (60°F)
bars	X 100	= kilopascals (kPa)	kilopascals (kPa)	X 0.01	= bars
POWER					
horsepower (hp)	X 0.746	= kilowatts (kW)	kilowatts (kW)	X 1.34	= horsepower (hp)
ft.-lbs./min.	X 0.0226	= watts (W)	watts (W)	X 44.25	= ft.-lbs./min.
TORQUE					
pound-inches (in.-lbs.)	X 0.11298	= newton-meters (N-m)	newton-meters (N-m)	X 8.851	= pound-inches (in.-lbs.)
pound-feet (ft.-lbs.)	X 1.3558	= newton-meters (N-m)	newton-meters (N-m)	X 0.7376	= pound-feet (ft.-lbs.)
pound-feet (ft.-lbs.)	X .1383	= kilograms/meter (kg-m)	kilogram/meter (kg-m)	X 7.233	= pound-feet (ft.-lbs.)
VELOCITY					
miles/hour (m/h)	X 0.11298	= kilometers/hour (km/hr)	kilometers/hour (km/hr)	X 0.6214	= miles/hour (m/h)
feet/second (ft./sec.)	X 0.3048	= meter/second (m/s)	meters/second (m/s)	X 3.281	= feet/second (ft./sec.)
feet/minute (ft./min.)	X 0.3048	= meter/minute (m/min)	meters/minute (m/min)	X 3.281	= feet/minute (ft./min.)
TEMPERATURE					
°Celsius = 0.556 (°F - 32)			°Fahrenheit = (1.8 X °C) + 32		
COMMON METRIC PREFIXES					
mega	(M)	= 1,000,000 or 10 ⁶	deci	(d)	= 0.1 or 10 ⁻¹
kilo	(k)	= 1,000 or 10 ³	centi	(c)	= 0.01 or 10 ⁻²
hecto	(h)	= 100 or 10 ²	milli	(m)	= 0.001 or 10 ⁻³
deka	(da)	= 10 or 10 ¹	micro	(µ)	= 0.000.001 or 10 ⁻⁶