

BRADEN

SD40B

MATERIAL LIST

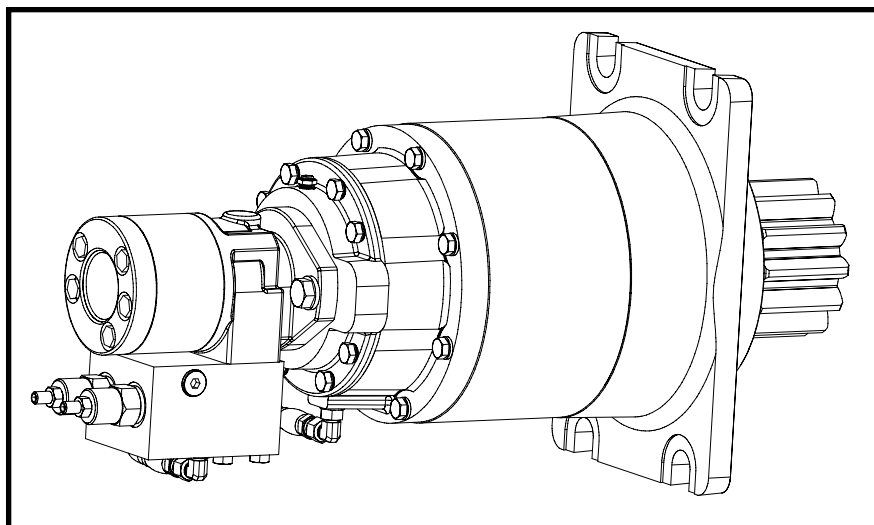
Covering Serial Numbers

0670738

0672796

0666903

FOR MODEL #05572 ONLY



PACCAR WINCH DIVISION
P.O. BOX 547 BROKEN ARROW, OK U.S.A. 74013
PHONE (918) 251-8511 FAX (918) 259-1575
www.paccarwinch.com

EXPLANATION OF MODEL NUMBER



- SD** DESIGNATES SWING DRIVE
- 40** DESIGNATES 40,000 INCH-POUND TORQUE RATING
- B** DESIGNATES THE MODEL SERIES RELATING TO DESIGN CHANGES

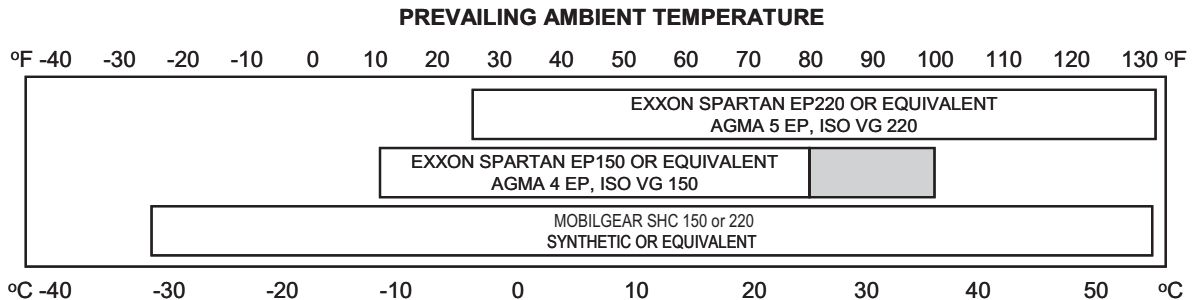
TO ORDER:

- (1) List model and serial numbers of the drive unit.
- (2) Refer to exploded view and select the component(s) needed and note item number.
- (3) Find item number on material list, show part number, description and quantity required on your order.
- (4) Refer to Parts List and show price for each component or assembly.

RECOMMENDED PLANETARY GEAR OIL

For simplicity, BRADEN has listed available products in each temperature range that have been tested and found to meet our specifications. This is not to say that other lubricant brands would not perform equally as well.

If the following lubricant brands are not available in your area, make certain your lubricant vendor supplies you with oil that is equivalent to those products listed below.

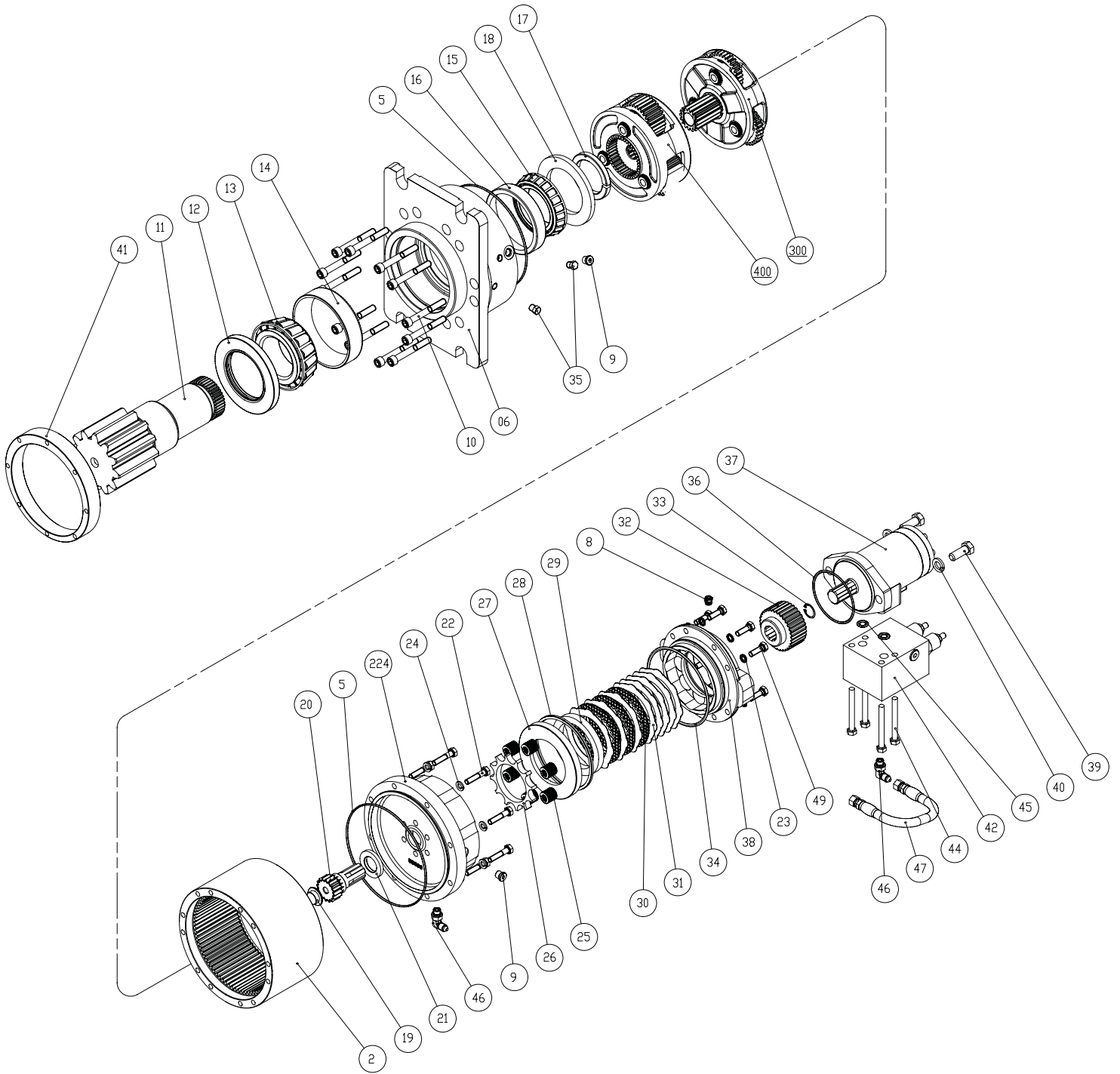


i **NOTE:** SHADED TEMPERATURE RANGE IN THE CHART ABOVE NOT RECOMMENDED FOR SEVERE APPLICATIONS SUCH AS: OFFSHORE CRANES, SUSTAINED FAST DUTY CYCLES OR FREQUENT LIFTING.

Texaco Meropa 150, previously used as factory fill, may no longer be widely available due to current market conditions. As of mid-year 2002, planetary hoists are factory filled with Exxon Spartan EP150, or equivalent. The chart below relates the Texaco products to 4 currently available oils. Consult your oil supplier for other equivalent oils if required.

Texaco	Exxon	Mobil	Shell	Chevron
Meropa 150	Spartan EP 150	Mobilgear 629	Omala 150	Gear Compounds EP 150
Meropa 220	Spartan EP 220	Mobilgear 630	Omala 220	Gear Compounds EP 220

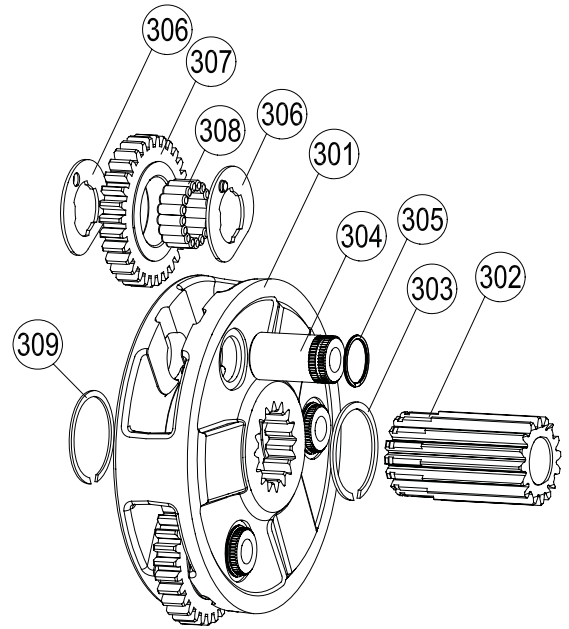
COMPONENT ASSEMBLY



Item #	Description	Part #	QTY	Item#	Description	Part #	QTY
001	MANIFOLD *	105192	1	029	BRAKE PLATE SPACER	103578	1
002	GEAR, RING *	105817	1	030	FRICITION DISC	25541	3
002	CBV CARTRIDGE *	106685	2	031	BRAKE DISC	102314	8
005	O-RING	28973	2	032	BRAKE COUPLING	29929	1
006	BEARING CARRIER - SD40	103500	1	033	SNAP RING	27535	1
008	RELIEF VALVE 7.5-15 PSI	18062	1	034	O-RING	70138	1
009	RETAINING RING, EXTERNAL *	105823	1	035	PLUG	23379	3
009	16496-4 PLUG	69325	2	036	O-RING	29677	1
010	CAPSCREW *	106324	12	037	HYD MOTOR, CL "H" 4.5 CI *	103524	1
011	PINION, OUTPUT	105788	1	038	MOTOR ADAPTER	103474	1
012	LIP SEAL	103519	1	039	CAPSCREW *	104174	2
013	BEARING, TAPERED ROLLER *	103505	1	040	LOCKWASHER *	11026	2
014	BEARING, TAPERED ROLLER	103506	1	041	ECCENTRIC RING *	106713	1
015	BEARING CONE	26384	1	042	VALVE, BRAKE *	106179	1
016	BEARING CUP	26383	1	044	CAPSCREW *	106032	4
017	SPLIT RING	105794	1	045	O-RING	12463	2
018	RETAINER, SPLIT RING	105796	1	046	ELBOW FITTING	25302	2
019	PLUG, THRUST	106325	1	047	HOSE ASSY	25936	1
020	PRIMARY SUN GEAR 16T	103523	1	048	SHIPPING PLUG	29965	2
021	WASHER, THRUST	106337	1	049	CAPSCREW, METRIC *	103494	8
022	CAPSCREW *	21466	8	200	BRAKE SUB-ASSY*	82969	1
023	LOCKWASHER, METRIC M8	103495	8	224	BRAKE HOUSING	103482	1
024	LOCKWASHER *	11024	8	300	PLANET CARRIER ASSY, PRIMARY	83370	1
025	SPRING	26094	4	400	PLANET CARRIER ASSY, OUTPUT	83525	1
026	SPRING LOCATOR	100136	1	600	BEARING CARRIER PARTS GROUP	83365	1
027	SPRING PLATE	25552	1	700	HYDRAULIC MOTOR GROUP (4.5)	83416	1
028	U-CUP SEAL	25594	1				

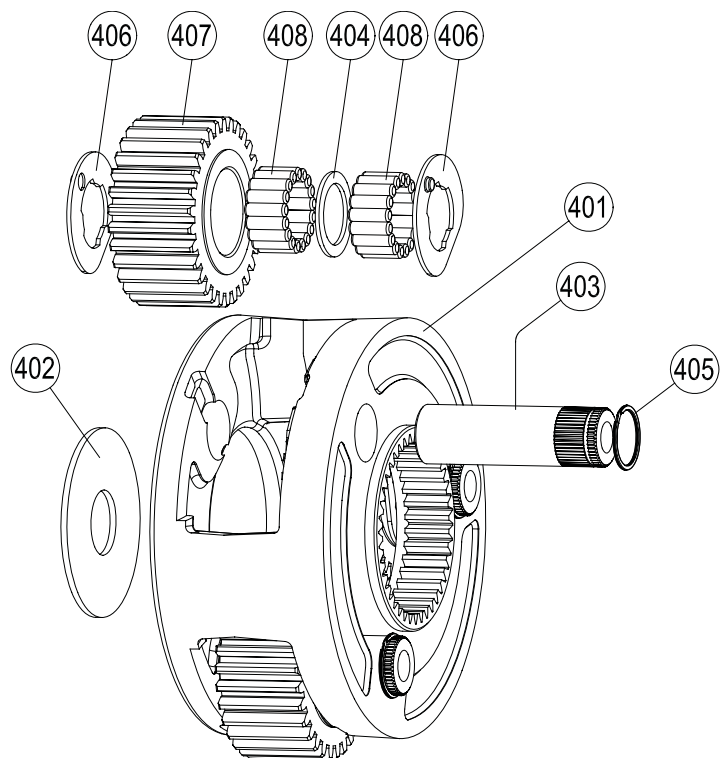
INPUT CARRIER ASSEMBLY

Item #	Description	Part #	QTY
300	PLANET CARRIER ASSY, PRIMARY	83370	1
001	CARRIER, PRIMARY PLANET *	105811	1
003	RETAINING RING, EXTERNAL *	105806	1
004	PIN, PRIMARY PLANET *	105808	3
005	RETAINING RING, EXTERNAL *	105807	3
006	WASHER, THRUST *	105804	6
007	GEAR, PRIMARY PLANET *	105813	3
008	BEARING, ROLLER *	105810	51



OUTPUT CARRIER ASSEMBLY

Item #	Description	Part #	QTY
400	PLANET CARRIER ASSY, OUTPUT	83525	1
001	CARRIER, OUTPUT PLANET *	106868	1
002	SPACER, THRUST *	105805	1
003	PIN, OUTPUT PLANET *	106869	3
004	SPACER, BEARING *	105815	3
005	RETAINING RING, EXTERNAL *	105807	3
006	WASHER, THRUST *	105804	6
007	GEAR, OUTPUT PLANET *	105814	3
008	BEARING, ROLLER *	105803	102



METRIC CONVERSION TABLE

MULTIPLY:	BY:	TO GET:	MULTIPLY:	BY:	TO GET:
LINEAR					
inches (in.)	X 25.4	= millimeters (mm)	millimeters (mm)	X 0.3937	= inches (in.)
feet (ft.)	X 0.3048	= meters (m)	meters (m)	X 3.281	= feet (ft.)
miles (mi.)	X 1.6093	= kilometers (km)	kilometers (km)	X 0.6214	= miles (mi.)
AREA					
inches ² (sq.in.)	X 645.15	= millimeters ² (mm ²)	millimeters ² (mm ²)	X 0.000155	= inches ² (sq.in.)
feet ² (sq.ft.)	X 0.0929	= meters ² (m ²)	meters ² (m ²)	X 10.764	= feet ² (sq.ft.)
VOLUME					
inches ³ (cu.in.)	X 0.01639	= liters (l)	liters (l)	X 61.024	= inches ³ (cu.in.)
quarts (qts.)	X 0.94635	= liters (l)	liters (l)	X 1.0567	= quarts (qts.)
gallons (gal.)	X 3.7854	= liters (l)	liters (l)	X 0.2642	= gallon (gal.)
inches ³ (cu.in.)	X 16.39	= centimeters ³ (cc)	centimeters ³ (cc)	X 0.06102	= inches ³ (cu.in.)
feet ³ (cu.ft.)	X 28.317	= liters (l)	liters (l)	X 0.03531	= feet ³ (cu.ft.)
feet ³ (cu.ft.)	X 0.02832	= meters ³ (m ³)	meters ³ (m ³)	X 35.315	= feet ³ (cu.ft.)
fluid ounce (fl.oz.)	X 29.57	= milliliters (ml)	milliliters (ml)	X 0.03381	= fluid ounce (fl.oz.)
MASS					
ounces (oz.)	X 28.35	= grams (g)	grams (g)	X 0.03527	= ounces (oz.)
pounds (lbs.)	X 0.4536	= kilograms (kg)	kilograms (kg)	X 2.2046	= pounds (lbs.)
tons (2000 lbs.)	X 907.18	= kilograms (kg)	kilograms (kg)	X 0.001102	= tons (2000 lbs.)
tons (2000 lbs.)	X 0.90718	= metric tons (t)	metric tons (t)	X 1.1023	= tons (2000 lbs.)
tons (long) (2240 lbs.)	X 1013.05	= kilograms (kg)	kilograms (kg)	X 0.000984	= tons (long) (2240 lbs.)
PRESSURE					
inches Hg (60°F)	X 3600	= kilopascals (kPa)	kilopascals (kPa)	X 0.2961	= inches Hg (60°F)
pounds/sq.in. (PSI)	X 6.895	= kilopascals (kPa)	kilopascals (kPa)	X 0.145	= pounds/sq.in. (PSI)
pounds/sq.in. (PSI)	X 0.0703	= kilograms/sq.cm. (kg/cm ²)	kilograms/sq.cm. (kg/cm ²)	X 14.22	= pounds/sq.in. (PSI)
pounds/sq.in. (PSI)	X 0.069	= bars	bars	X 14.5	= pounds/sq.in. (PSI)
inches H ₂ O (60°F)	X 0.2488	= kilopascals (kPa)	kilopascals (kPa)	X 4.0193	= inches H ₂ O (60°F)
bars	X 100	= kilopascals (kPa)	kilopascals (kPa)	X 0.01	= bars
POWER					
horsepower (hp)	X 0.746	= kilowatts (kW)	kilowatts (kW)	X 1.34	= horsepower (hp)
ft.-lbs./min.	X 0.0226	= watts (W)	watts (W)	X 44.25	= ft.-lbs./min.
TORQUE					
pound-inches (in.-lbs.)	X 0.11298	= newton-meters (N-m)	newton-meters (N-m)	X 8.851	= pound-inches (in.-lbs.)
pound-feet (ft.-lbs.)	X 1.3558	= newton-meters (N-m)	newton-meters (N-m)	X 0.7376	= pound-feet (ft.-lbs.)
pound-feet (ft.-lbs.)	X .1383	= kilograms/meter (kg-m)	kilogram/meter (kg-m)	X 7.233	= pound-feet (ft.-lbs.)
VELOCITY					
miles/hour (m/h)	X 0.11298	= kilometers/hour (km/hr)	kilometers/hour (km/hr)	X 0.6214	= miles/hour (m/h)
feet/second (ft./sec.)	X 0.3048	= meter/second (m/s)	meters/second (m/s)	X 3.281	= feet/second (ft./sec.)
feet/minute (ft./min.)	X 0.3048	= meter/minute (m/min)	meters/minute (m/min)	X 3.281	= feet/minute (ft./min.)
TEMPERATURE					
°Celsius = 0.556 (°F - 32)			°Fahrenheit = (1.8 X °C) + 32		
COMMON METRIC PREFIXES					
mega	(M)	= 1,000,000 or 10 ⁶	deci	(d)	= 0.1 or 10 ⁻¹
kilo	(k)	= 1,000 or 10 ³	centi	(c)	= 0.01 or 10 ⁻²
hecto	(h)	= 100 or 10 ²	milli	(m)	= 0.001 or 10 ⁻³
deka	(da)	= 10 or 10 ¹	micro	(µ)	= 0.000.001 or 10 ⁻⁶