

MODEL 50B-PS WINCH for Caterpillar D5N & D6N TRACTORS

CARCO® for CATERPILLAR

Caterpillar and CAT are Trademarks of Caterpillar Inc.

SPECIFICATIONS

CABLE DRUM SIZE

Barrel Diameter10 in.	(254 mm)
Flange Diameter19 7/8 in.	(504 mm)
Barrel Length12 3/8 in.	(314 mm)

HYDRAULIC SYSTEM

Oil Capacity78 qts	(74 L)
Hydraulic Pressure for Winch Control400 psi	(2,760 kPa)
Hydraulic Pump is Gear Type		
Accumulator is Spring-Type		
Applied Weight, without cable or oil2,600 lbs	(1,180 kg)

GEAR RATIOS

Winch Overall Ratio:	
Standard Speed47:1 (3 shaft)
Slow Speed112.8:1 (4 shaft)

NOTE: Other ratios may be available.
Contact factory for details.

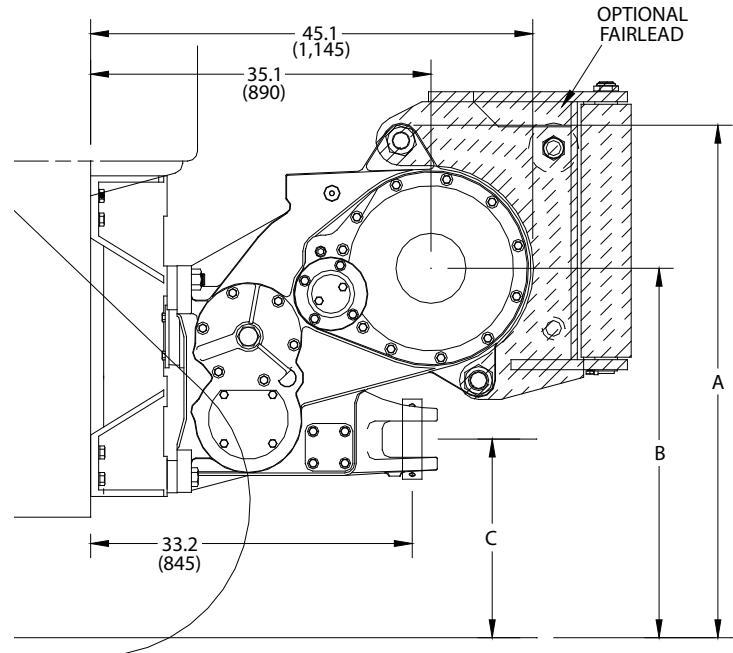
MODEL 50B-PS DESCRIPTION

- Internal Hydraulic System with Gear Type Pump, Pressure Circuit Filtration and Maintenance-Free Spring-Type Accumulator
- Single Lever Electronic Control of Hydraulically Actuated Multi-Disc Wet Clutches and Brake; Equal Speeds - Forward and Reverse
- Rigid Cast Nodular Iron Case with Pin-On Fairlead Mounting Lugs and Heavy-Duty Rigid Draw Bar.

OPTIONS

- Free Spool Drum
- Gear Ratios
- 3 Roller Fairlead
- 4 Roller Fairlead
- Extended Draw Bar

	D5N XL	D5N LGP	D6N XL	D6N LGP
A	52.3 in.	54.3 in.	55.0 in.	59.5 in.
	1,330 mm	1,380 mm	1,395 mm	1,510 mm
B	37.8 in.	39.8 in.	40.5 in.	45.0 in.
	960 mm	1,010 mm	1,030 mm	1,145 mm
C	20.7 in.	22.7 in.	23.4 in.	27.9 in.
	525 mm	575 mm	595 mm	710 mm



DIMENSIONS SHOWN ARE INCHES (mm)

Approved Cable Diameters	Maximum Theoretical Cable Capacity per SAE J1158†	Maximum Recommended Cable Capacity per SAE J706†	PACCAR Ferrule Part Number ‡
3/4 in (19 mm)	391 ft (119 M)	267 ft (81 M)	29424
7/8 in (22 mm)	281 ft (86 M)	180 ft (55 M)	29425

† Refer to PACCAR Publication LIT2435 for more information on proper wire rope selection for PACCAR Winches.

‡ Use six-strand IWRC RRL Wire Rope with PACCAR Ferrules.

PACCAR WINCH DIVISION

P.O. BOX 547 BROKEN ARROW, OK U.S.A. 74013

PHONE (918) 251-8511 FAX (918) 259-1575

www.paccarwinch.com

Winch line pull and line speed based on specifications noted below, with 1.0 inch (25 mm) diameter wire rope.

NOTE: These tractors are capable of producing input torque to the winch which can result in line pulls in excess of the maximum rated line pull. For pulls over the maximum rating, a multipart line and sheave block must be used.

STANDARD SPEED PERFORMANCE MODEL 50B-PS (Overall Ratio 47:1)

		D5N		D6N	
Bare Drum	Rated Line Pull (1)	31,600 lb	14,350 kg	36,600 lb	16,600 kg
	Maximum Line Pull (2)	64,200 lb	29,100 kg	69,200 lb	31,400 kg
	Rated Line Speed (3)	85 ft/min	26 m/min	97 ft/min	30 m/min
	Maximum Line Speed (4)	150 ft/min	46 m/min	147 ft/min	45 m/min
Full Drum	Rated Line Pull (1)	18,100 lb	8,200 kg	21,000 lb	9,500 kg
	Maximum Line Pull (2)	36,700 lb	16,650 kg	54,100 lb	24,550 kg
	Rated Line Speed (3)	148 ft/min	45 m/min	169 ft/min	52 m/min
	Maximum Line Speed (4)	263 ft/min	80 m/min	257 ft/min	78 m/min

SLOW SPEED PERFORMANCE MODEL 50B-PS (Overall Ratio 112.8:1)

		D5N		D6N	
Bare Drum	Rated Line Pull (1)	50,000 lb	22,650 kg	50,000 lb	22,650 kg
	Maximum Line Pull (2)	69,200 lb	31,400 kg	69,200 lb	31,400 kg
	Rated Line Speed (3)	35 ft/min	11 m/min	40 ft/min	12 m/min
	Maximum Line Speed (4)	63 ft/min	19 m/min	61 ft/min	19 m/min
Full Drum	Rated Line Pull (1)	43,300 lb	19,650 kg	50,000 lb	19,650 kg
	Maximum Line Pull (2)	69,200 lb	31,400 kg	69,200 lb	31,400 kg
	Rated Line Speed (3)	62 ft/min	19 m/min	70 ft/min	21 m/min
	Maximum Line Speed (4)	110 ft/min	34 m/min	107 ft/min	33 m/min

- (1) "Rated Line Pull" is lesser of winch catalog rating or actual linepull at maximum PTO horsepower.
- (2) "Maximum Line Pull" is lesser of actual linepull at maximum PTO output torque or catalog breaking strength of maximum optional size new IWRC IPS wire rope.
- (3) "Rated Line Speed" is actual linespeed at maximum PTO output horsepower.
- (4) "Maximum Line Speed" is no-load speed at maximum tractor engine RPM.
- (5) Maximum warrantable wire rope diameter is 1.0 inch (25 mm).