

# MODEL H110 WINCH for Caterpillar D7R Series II Differential Steering

# CARCO® for CATERPILLAR

Caterpillar and CAT are Trademarks of Caterpillar Inc.

## MODEL DESCRIPTION:

The H110 is a triple reduction, hydraulically driven planetary winch. The ripper section of the tractor main hydraulic valve will provide the winch motor with the maximum flow and pressure available. As the Carco H110 is hydraulically driven, no connection to the tractor PTO is required during installation.

The operator uses a console mounted joystick to obtain infinite winch speed control from 2 fpm (0.6 mpm) to 97 fpm (30 mpm). Load "fall-back" is prevented by the sprag type clutch in the multi-disc static brake. Actuating an electrical switch will release the multi-disc drum clutch which allows the tractor to drive away from a load.

Preventive maintenance is reduced to regular maintenance of the tractor hydraulic system and winch gear oil changes. There are **no mechanical adjustments required on the winch**; no shims, no preloads, etc. Anti-friction roller bearings and shaved planetary gears assure high efficiency and quiet operation. A roller fairlead is built into the winch case as standard equipment to protect the winch and reduce wire rope wear. The single horizontal roller supplied can be placed in either the high or low position. An optional fourth roller is available.

## SPECIFICATIONS:

### GENERAL SPECIFICATIONS

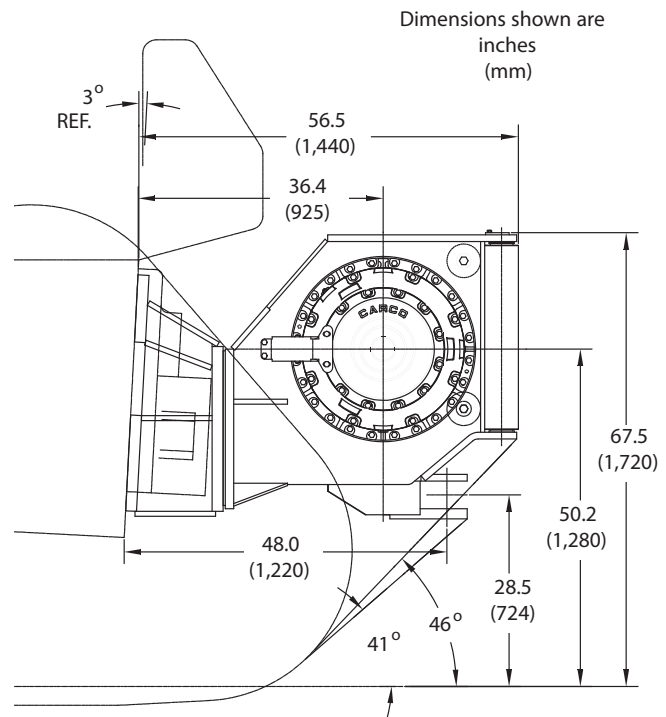
- Overall Winch Gear Ratio .....156:1
- Throat Clearance .....7.50 in. (191 mm)
- Cable Drum Barrel Diameter .....12.50 in. (318 mm)
- Cable Drum Flange Diameter .....24.00 in. (610 mm)
- Cable Drum Barrel Length .....13.25 in. (337 mm)
- Gear Oil Capacity .....16 qt. (15 L)

### HYDRAULIC SYSTEM:

- Infinitely variable 107 cc piston motor with patented Braden brake valve.

### OPTIONS:

- One additional horizontal fairlead roller



Approved Cable Diameters	Maximum Theoretical Cable Capacity per SAE J1158†	Maximum Recommended Cable Capacity per SAE J706†	PACCAR Ferrule Part Number ‡
1 in (26 mm)	326 ft (99 M)	268 ft (82 M)	29427
1-1/8 in (29 mm)	261 ft (80 M)	185 ft (56 M)	29428
1-1/4 in (32 mm)	207 ft (63 M)	119 ft (36 M)	29429

† Refer to PACCAR Publication LIT2435 for more information on proper wire rope selection for PACCAR Winches.  
‡ Use six-strand IWRC RRL Wire Rope with PACCAR Ferrules.

**PACCAR WINCH DIVISION**  
P.O. BOX 547 BROKEN ARROW, OK U.S.A. 74013  
PHONE (918) 251-8511 FAX (918) 259-1575  
[www.paccarwinch.com](http://www.paccarwinch.com)

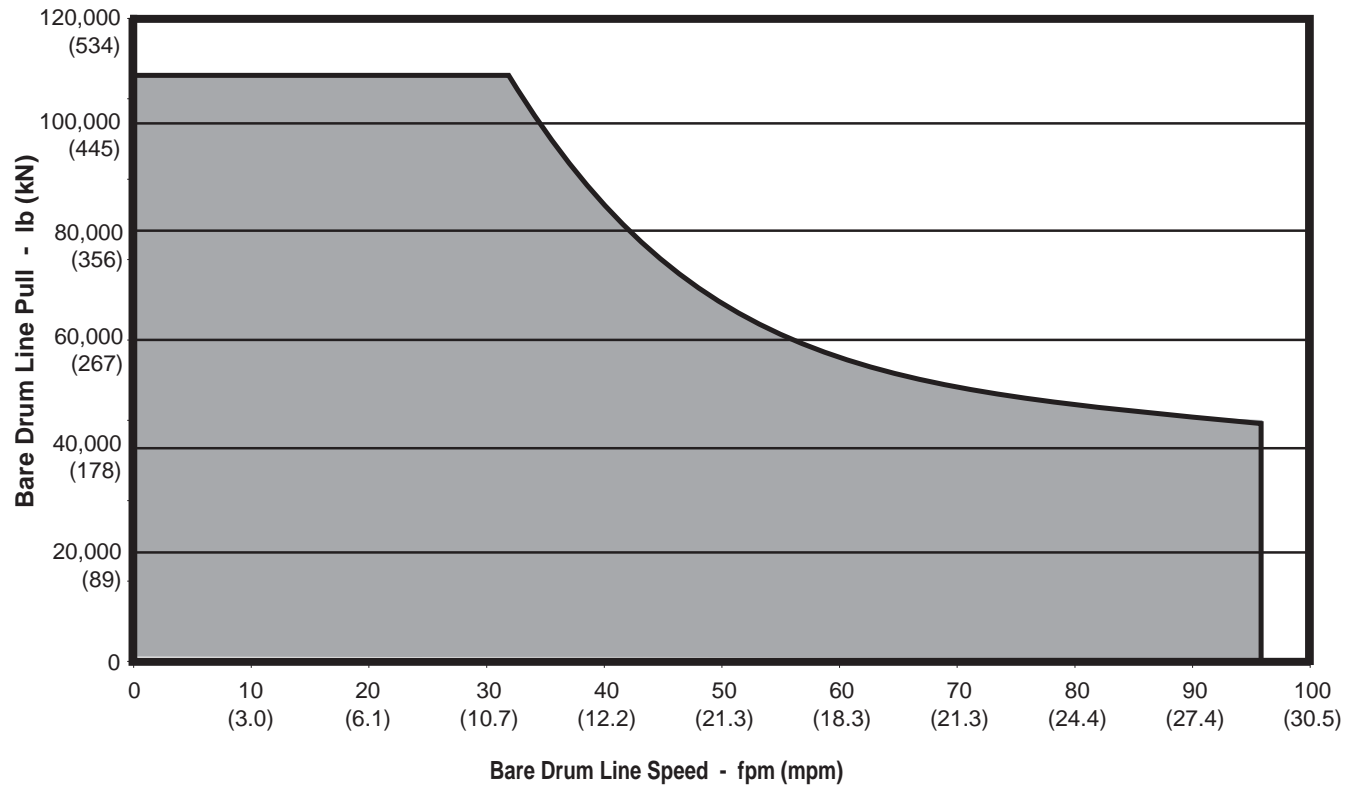
## PERFORMANCE GRAPH:

Winch performance graph is based on utilization of the full flow and pressure available from the tractor high pressure hydraulic system. Performance data shown is calculated using 1-1/4 in. (32 mm) wire rope.

Maximum rated first layer line pull is 110,000 LB (489 kN) and maximum rated cable diameter is 1-1/4 in. (32 mm).

### CATERPILLAR D7R Series II Diff. Steer

Winch Performance based on 42 gpm (159 lpm) @ 5,000 psi (34,500 kPa)



The H110 winch is capable of operating anywhere in the shaded area shown in the graph above.