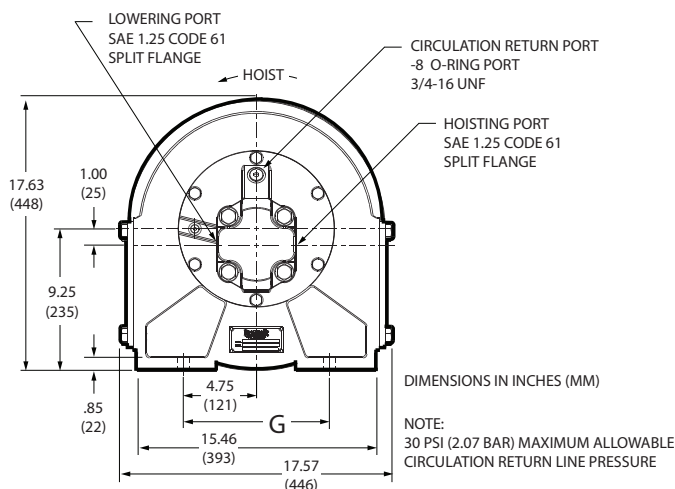
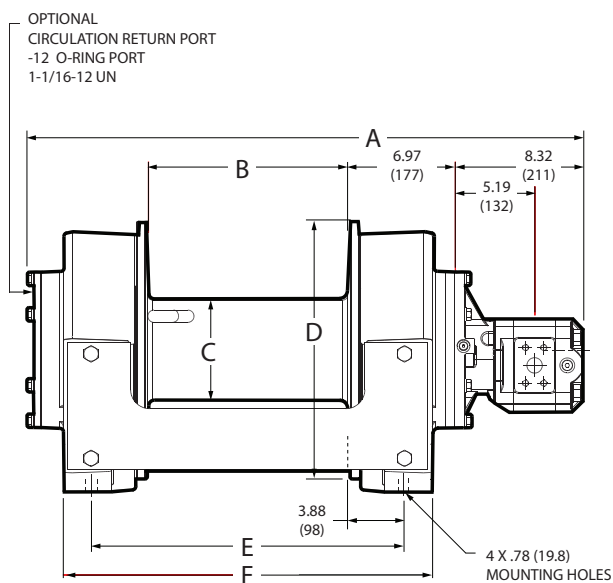


Gearmatic

MODEL GH15C EQUAL SPEED

Up To 15,000-POUND LINEPULL



Specifications

GH15C-34051-01, -02

5.1 cu in. Gear Motor (84cc)
2600 PSI (179 bar) @ 60 gpm (227 lpm)
Wire Rope Diameter: .75 in. (19 mm)

Layer	Line Pull		Line Speed	
	LB	KG	FPM	MPM
1	15,000	6,818	138	42
2	12,430	5,650	166	51
3	10,610	4,823	195	59
4	9,250	4,205	224	68
5	8,210	3,732	252	77
6	7,370	3,350	281	86

GH15C-34051-04

5.1 cu in. Gear Motor (84cc)
2750 PSI (190 bar) @ 60 gpm (227 lpm)
Wire Rope Diameter: .75 in. (19 mm)

Layer	Line Pull		Line Speed	
	LB	KG	FPM	MPM
1	10,000	4,545	216	66
2	8,830	4,014	245	75
3	7,910	3,595	273	83
4	7,160	3,255	302	92

Wire Rope Capacity

Layer	-01 Drum		-02 Drum		-04 Drum	
	FT	M	FT	M	FT	M
1	20	6	32	10	51	16
2	44	13	71	22	109	33
3	72	22	117	36	174	55
4	104	32	170	52	245	75
5	141	43	230	70		
6	182	55	296	90		

* Rope capacity based on 90% theoretical

Dimension Variables

	A	B	C	D	E	F	G
-01 Drum	31.16 (791)	8.00 (203)	6.50 (165)	16.75 (425)	15.75 (400)	18.73 (476)	9.50 (241)
-01 Drum Universal 11x17 (279x432) Bolt Pattern	31.16 (791)	8.00 (203)	6.50 (165)	16.75 (425)	17.00 (432)	19.00 (483)	11.00 (279)
-02 Drum	36.16 (918)	13.00 (330)	6.50 (165)	16.75 (425)	20.75 (527)	24.00 (610)	9.50 (241)
-04 Drum	36.16 (918)	13.00 (330)	10.60 (269)	16.75 (425)	20.75 (527)	24.00 (610)	9.50 (241)