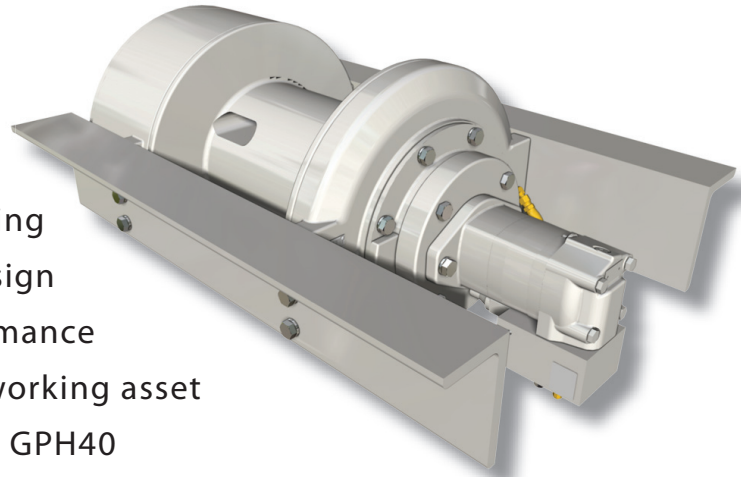


BRADEN® **GPH40A PLANETARY WINCH** 40,000 lb (18,000 kg)

The BRADEN GPH40 incorporates high-performance gearing and heavy-duty construction to deliver exceptional power and durability in the most demanding applications. The compact, low-profile design provides superior load control and performance in gin pole hoisting applications. A hard-working asset in the field and on the books, the BRADEN GPH40 is an easy decision for operators and fleet owners.

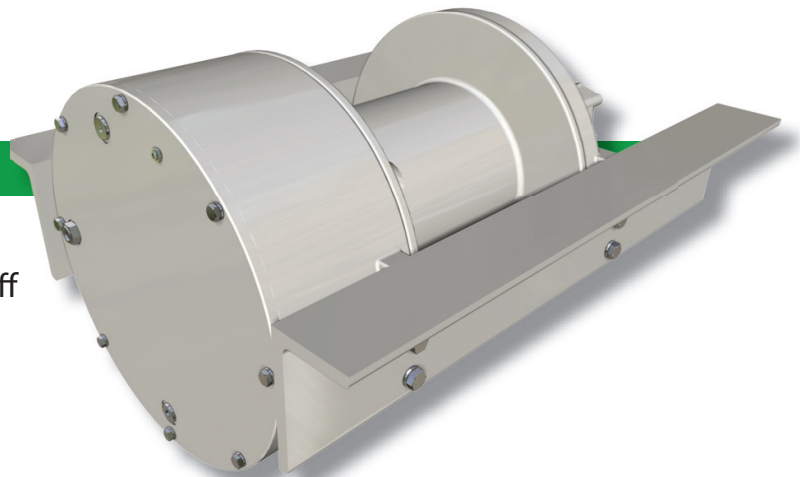


Features/Benefits

- Sealed three-stage high-efficiency planetary reduction gearing provides superior performance for long pulls
- Sprag clutch provides positive load holding for secure operation
- Drum capacity of 164 ft (50 M) of ¾-inch (19-mm) rope – sufficient for all gin pole lengths
- Reversible base angles allow flexibility for profile bed mounting as well as up or down orientation

Options

- Free-spool configuration for improved productivity in roll-off trailer applications



GPH40A PLANETARY WINCH 40,000 lb (18,180 kg)

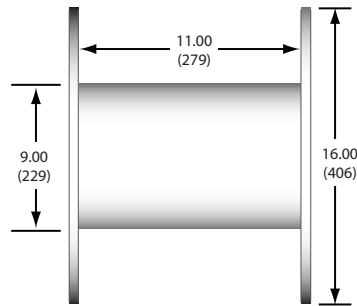
BRADEN®

Performance

GPH40A-69119-01 LM

MOTOR	119 (11.9 cu in.)	
PRESSURE	2,047 psi	
FLOW	30 gpm	
WIRE ROPE DIA	3/4 in.	
LAYER	LINE PULL (lb)	LINE SPEED (fpm)
1	40,000	20
2	34,650	23
3	30,580	26
4	27,360	29

MOTOR	119 (195 cc)	
PRESSURE	141 bar	
FLOW	113.6 lpm	
WIRE ROPE DIA	19 mm	
LAYER	LINE PULL (kg)	LINE SPEED (mpm)
1	18,145	6
2	15,715	7
3	13,870	8
4	12,410	9



DIMENSIONS IN INCHES (MM)

WIRE ROPE STORAGE, ft

LAYER	1	2	3	4	D/d	
WIRE ROPE DIA	3/4 in.	34	73	117	166	13:1

WIRE ROPE STORAGE, m

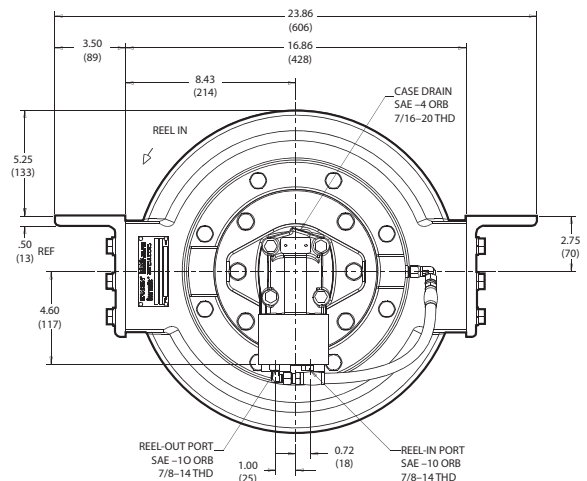
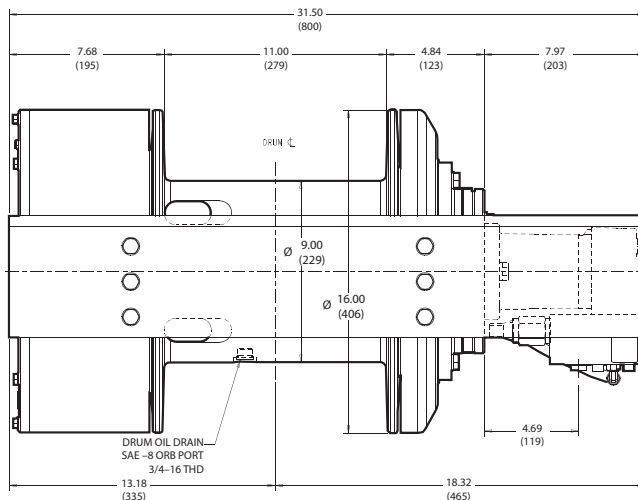
LAYER	1	2	3	4	D/d	
WIRE ROPE DIA	19 mm	10	22	36	51	13:1

D/d RATIO IS BASED ON PITCH DIAMETER OF WIRE ROPE AT FIRST LAYER

Dimensions

GPH40A-69119-01 LM

DIMENSIONS IN INCHES (MM)



www.paccarwinch.com