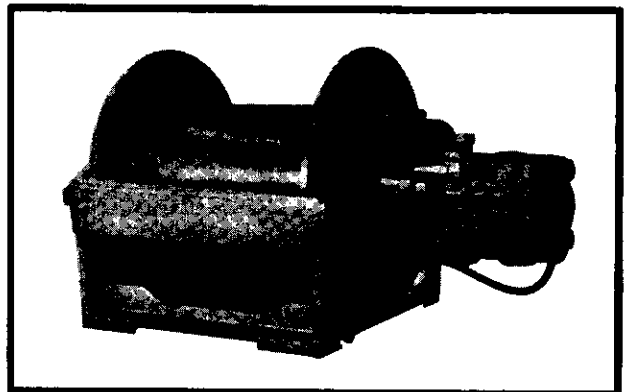


MATERIAL LIST

BRADEN
PD7A



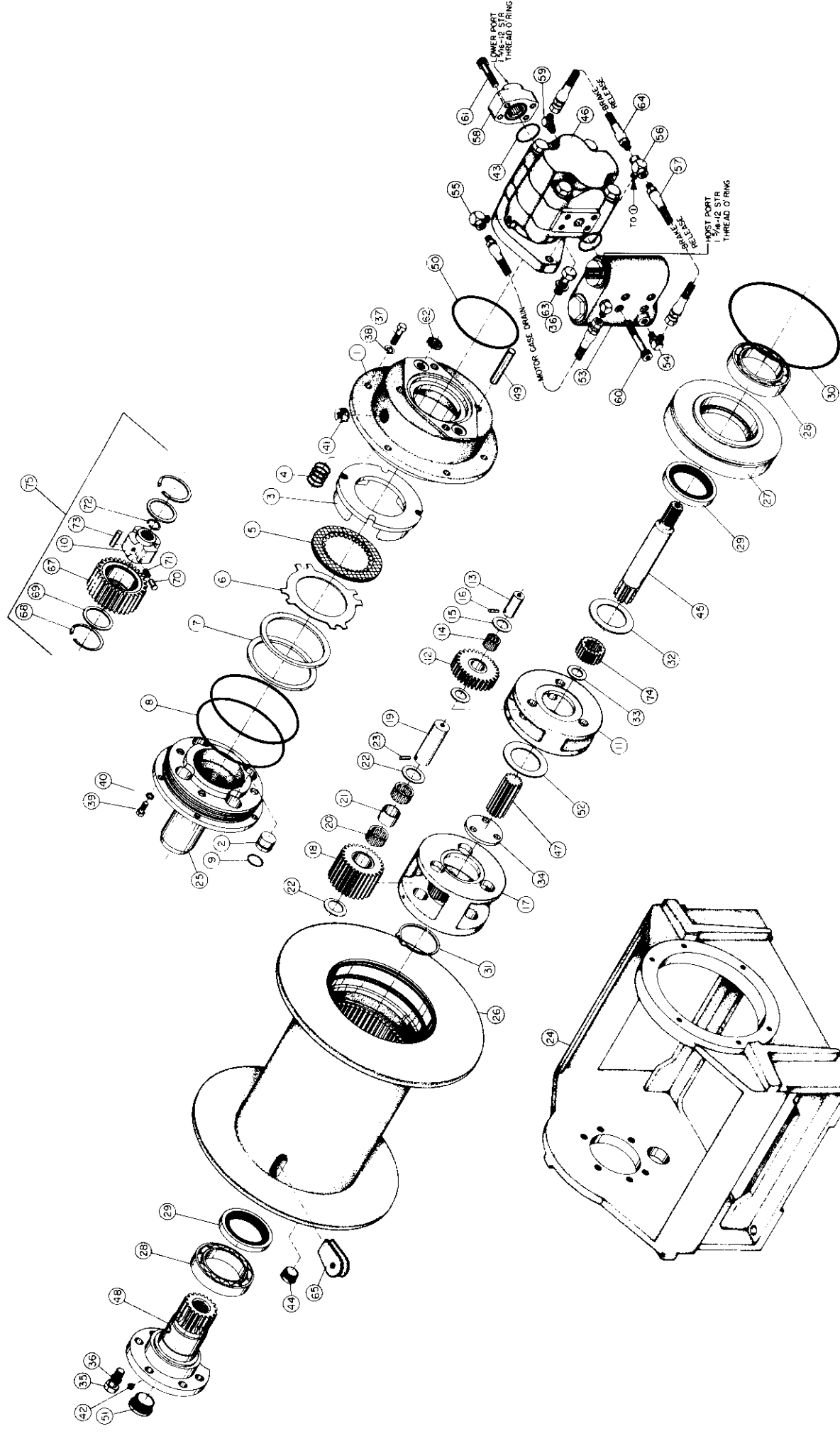
BRADEN PD7A COMPONENTS

BASIC MATERIAL LIST PD7A

| ITEM | QUANTITY | PART NO. | DESCRIPTION |
|------|----------|----------|---|
| 1 | 1 | 25206 | MOTOR SUPPORT |
| 2 | 4 | 25828 | BRAKE PISTON |
| 3 | 1 | 25200 | PRESSURE PLATE |
| 4 | 12 | 24916 | BRAKE SPRING |
| 5 | 4 | 21036 | DISC-FRICTION |
| 6 | 5 | 25199 | DISC-BRAKE |
| 7 | 2 | 24892 | SPACER |
| 8 | 2 | 10052 | O-RING |
| 9 | 4 | 24776 | O-RING |
| 13 | 3 | 25332 | PRIMARY PLANET GEAR SHAFT |
| 14 | 3 | 25333 | ROLLER BEARING |
| 15 | 6 | 24914 | THRUST WASHER |
| 18 | 3 | 12026 | ROLLPIN |
| 19 | 3 | 25666 | OUTPUT PLANET GEAR SHAFT |
| 20 | 6 | 24175 | ROLLER BEARING |
| 21 | 3 | 24890 | BEARING SPACER |
| 22 | 6 | 25361 | THRUST WASHER |
| 23 | 3 | 21049 | ROLLPIN |
| 24 | 1 | 25977 | BASE |
| 25 | 1 | 25205 | BRAKE CYLINDER |
| 26 | 1 | 76027 | CABLE DRUM |
| 27 | 1 | 76024 | CABLE DRUM CLOSURE |
| 28 | 2 | 25299 | BALL BEARING |
| 29 | 2 | 11428 | OIL SEAL |
| 30 | 1 | 22358 | O-RING |
| 31 | 1 | 25528 | SNAP RING |
| 32 | 1 | 25300 | THRUST WASHER |
| 34 | 1 | 25542 | THRUST PLATE |
| 35 | 6 | 13938 | CAPSCREW — HX HD 1/2 - 13 x 1 1/4 G5 |
| 36 | 8 | 11026 | LOCKWASHER 1/2 |
| 37 | 6 | 11776 | CAPSCREW — HX HD 3/4 - 16 x 1 1/4 G5 |
| 38 | 6 | 18003 | LOCKWASHER 3/4 |
| 39 | 6 | 11758 | CAPSCREW — HX HD 1/4 - 20 x 3/4 G5 |
| 40 | 6 | 11015 | LOCKWASHER 1/4 |
| 41 | 1 | 19045 | PLUG — MID 1987 AND EARLIER |
| 42 | 1 | 10074 | VENT PLUG |
| 43 | 2 | 25368 | O-RING |
| 44 | 1 | 32411 | DRAIN PLUG |
| 46 | 1 | 25386 | HYDRAULIC MOTOR — CODE 020 |
| 48 | 1 | 25515 | HYDRAULIC MOTOR — CODE 029 |
| 49 | 1 | 25669 | BEARING SUPPORT |
| 50 | 4 | 24701 | DOWEL PIN |
| 51 | 1 | 21063 | O-RING |
| 52 | 1 | 24420 | OIL LEVEL PLUG |
| 53 | 1 | 76142 | THRUST WASHER |
| 54 | 1 | 81715 | BRAKE VALVE |
| 55 | 1 | 25302 | ELBOW |
| 56 | 1 | 24236 | REDUCER ELBOW |
| 57 | 1 | 22934 | TEE-MALE BRANCH |
| 58 | 2 | 13711 | HOSE — 10 INCH (254 mm) |
| 59 | 1 | 25539 | SPLIT FLANGE ADAPTER |
| 60 | 1 | 25131 | ELBOW |
| 61 | 4 | 25622 | CAPSCREW — SOC HD 3/4 - 16 x 2 1/4 G5 |
| 62 | 4 | 13544 | CAPSCREW — SOC HD 3/4 - 16 x 1 1/4 G5 |
| 63 | 2 | 25829 | SEAL WASHER |
| 64 | 2 | 13413 | CAPSCREW — HX HD 1/2 - 13 x 1 1/4 G5 |
| 65 | 1 | 13705 | HOSE — 14 INCH (355 mm) |
| 66 | 1 | 74780 | CABLE ANCHOR 1/2 in. — 3/8 in. (10x14 mm) |
| 75 | 1 | 81738 | BRAKE CLUTCH ASSEMBLY |

BRAKE CLUTCH ASSEMBLY NO. 81738

| ITEM | QUANTITY | PART NO. | DESCRIPTION |
|------|----------|----------|-----------------|
| 10 | 1 | NSS | BRAKE CAM |
| 87 | 1 | NSS | BRAKE RACE |
| 88 | 2 | 12913 | RETAINING RING |
| 89 | 2 | 12592 | ROLLER RETAINER |
| 71 | 4 | 24351 | ROTOR PLUNGER |
| 72 | 1 | 24350 | RETAINING RING |
| 73 | 4 | 11104 | ROLLER |

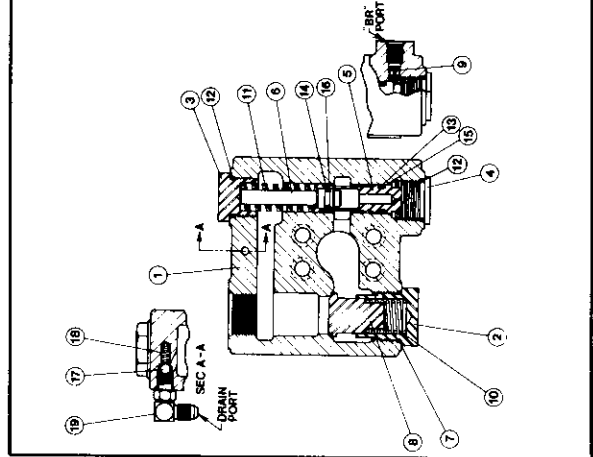


O-RING & SEAL KIT PD7A NO. 61690

| ITEM | QUANTITY | PART NO. | DESCRIPTION |
|------|----------|----------|---------------------------|
| 8 | 2 | 10052 | O-RING |
| 9 | 4 | 24776 | O-RING |
| 29 | 2 | 11428 | OIL SEAL |
| 30 | 1 | 22358 | O-RING MID 1986 & LATER |
| | | 70140 | O-RING MID 1986 & EARLIER |
| 43 | 2 | 25366 | O-RING |
| 50 | 1 | 21063 | O-RING |
| | | 23950 | O-RING — DRAIN PLUG |
| | | 24186 | O-RING — OIL LEVEL PLUG |

BRAKE VALVE ASSEMBLY NO. 81715 1 in. (25 mm) MOTOR PORT

| ITEM | QUANTITY | PART NO. | DESCRIPTION |
|------|----------|----------|--------------------|
| 1 | 1 | NSS | VALVE HOUSING |
| 2 | 1 | 24424 | SPRING RETAINER |
| 3 | 1 | 24183 | SPRING RETAINER |
| 4 | 1 | 22450 | PLUG |
| 5 | 1 | NSS | SPOOL |
| 6 | 1 | NSS | DAMPER PISTON |
| 7 | 1 | 24186 | O-RING |
| 8 | 1 | 24423 | CHECK VALVE POPPET |
| 9 | 1 | 24200 | PILOT ORIFICE |
| 10 | 1 | 24190 | CHECK VALVE SPRING |
| 11 | 1 | 24192 | SPOOL SPRING |
| 12 | 2 | 23801 | O-RING |
| 13 | 1 | 24193 | O-RING |
| 14 | 1 | 24194 | O-RING |
| 15 | 1 | 24196 | BACK-UP RING |
| 16 | 1 | 24196 | BACK-UP RING |
| 17 | 1 | 21156 | CHECK BALL (1/4") |
| 18 | 1 | 25480 | CHECK BALL SPRING |
| 19 | 1 | 25302 | ELBOW FITTING |
| 20 | 1-AR | 25661 | SHIM |



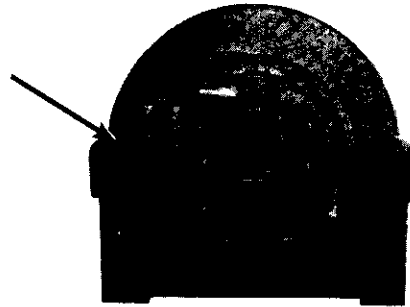
MATERIAL LIST VARIABLES PD7A

| ITEM | QTY. | DESCRIPTION | PART NO. | PART NO. | PART NO. |
|------|------|--------------------------|----------|----------|----------|
| 11 | 1 | PRIMARY PLANET CARRIER | 25512 | 25513 | 25329 |
| 12 | 3 | PRIMARY PLANET GEAR | 26273 | 26275 | 26271 |
| 17 | 1 | OUTPUT PLANET CARRIER | 25514 | 25514 | 25202 |
| 18 | 3 | OUTPUT PLANET GEAR | 26274 | 26274 | 26272 |
| 33 | 1 | THRUST WASHER | 27426 | 24913 | 24913 |
| 45 | 1 | PRIMARY SUN GEAR | 25507 | 25511 | 25596 |
| 47 | 1 | OUTPUT SUN GEAR | 25509 | 25509 | 24891 |
| 74 | 1 | PRIMARY SUN GEAR ADAPTER | 25598 | — | — |

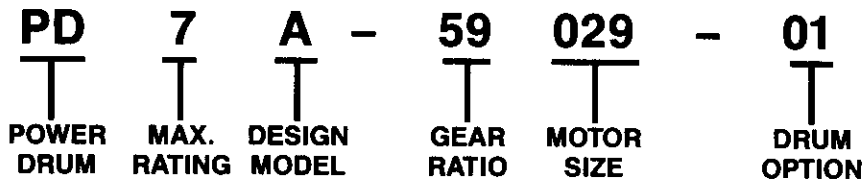
NSS — NOT SERVICED SEPARATELY. ORDER COMPLETE VALVE ASSEMBLY.
AR — AS REQUIRED.

FOR BEST RESULTS, USE ONLY GENUINE BRADEN REPLACEMENT PARTS

Serial Numbers and Model Numbers are located to the left hand side of the hydraulic motor, stamped into the base. Always refer to the Serial Number and Model Number when requesting information or service parts.



EXPLANATION OF MODEL NUMBER



- PD DESIGNATES POWER DRUM
- 7 DESIGNATES 7,500 LB. APPROXIMATE FIRST LAYER LINE PULL
- A DESIGNATES THE MODEL SERIES RELATING TO DESIGN CHANGES
- 59 DESIGNATES TOTAL GEAR REDUCTION
- 029 DESIGNATES HYDRAULIC MOTOR DISPLACEMENT IN CU IN/REV (DECIMAL POINT ELIMINATED. EXAMPLE 029 = 2.9 CU IN/REV)
- 01 DESIGNATES THE DRUM OPTION

TO ORDER —

- (1) List model and serial numbers of the winch.
- (2) Refer to exploded view and select the component(s) needed and note item number.
- (3) Find item number on material list, show part number, description and quantity required on your order.
- (4) Refer to Parts Price list and show price for each component or assembly.

RECOMMENDED GEAR OIL

We have published the following specification to help you determine which lubricant is best suited to your application. Your lubricant supplier should assure you that his product meets these specifications. If there is still any doubt as to the suitability of a lubricant, contact the Braden Service Department.

