

BRADEN

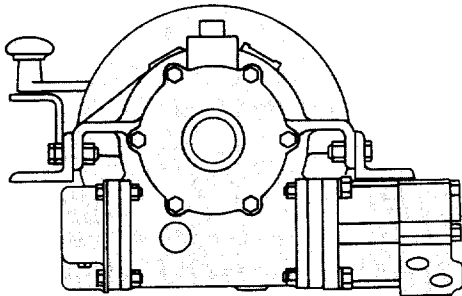
AHSU3/AMSU3

HYDRAULIC DRIVEN

10,000 LB. 1st LAYER LINE PULL

The BRADEN MODEL AMSU3 is offered with several Hydraulic Drive Options to best suit the application requirement.

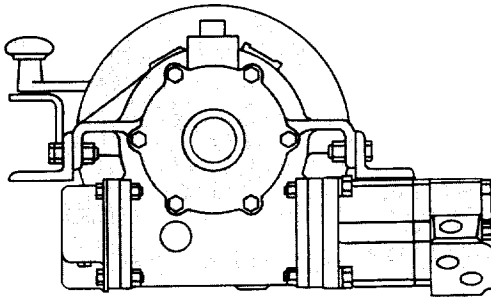
DIRECT MOUNT SINGLE SPEED MOTOR



AHSU3 SINGLE SPEED

The extremely compact "Direct Mount" option allows for easy installation which is especially useful on front mounted units by reducing both motor length and weight. The "Direct Mount" option is offered as a complete assembly which includes a high efficiency, high torque Char-Lynn 2000 series motor.

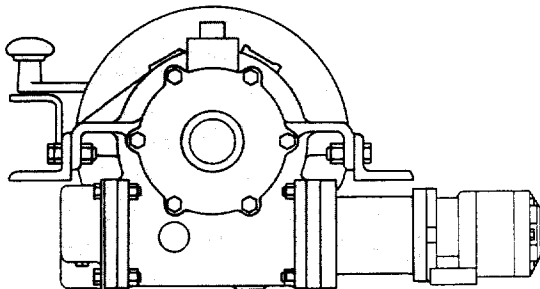
DIRECT MOUNT TWO SPEED MOTOR



AHSU3 TWO SPEED

The Two-Speed "Direct Mount" option offers all the advantages above plus the added convenience of time saving two speed operation. The high speed mode allows the line speed to be doubled at light loads while retaining maximum line pull in the low speed mode. The "Direct Mount" Two-Speed option is offered as a complete assembly which includes a high efficiency, high torque Char-Lynn 2000 series motor.

CONVENTIONAL ADD-ON ADAPTERS



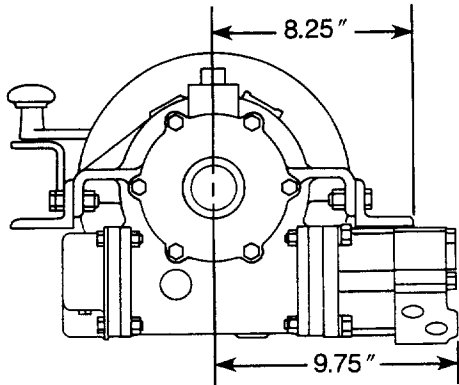
AMSU3 WITH ADD-ON ADAPTER

Conventional "Add-on" hydraulic motor adapters are also offered for a highly versatile package. Adapters are available with various mounting flange and shaft configurations to fit most common hydraulic motors (motors purchased separately).

PACCAR WINCH DIVISIONS

P.O. BOX 547 • BROKEN ARROW, OK 74013
PHONE: (918) 251-8511 • TELEX: 492340 • FAX: (918) 258-4822

BRADEN MODEL AHSU3/AMSU3

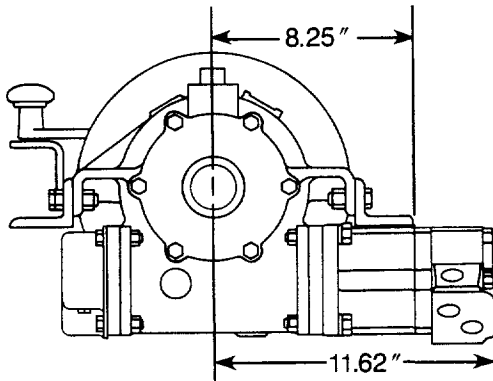


DIRECT MOUNT SINGLE SPEED

AHSU3 with CHAR-LYNN 2000 SERIES
9.6 cu. in. Hydraulic Motor

2500 PSI @ flows up to 18 GPM
10,000 lbs. 1st Layer Line Pull
16 FPM 1st Layer Line Speed (@ 18 GPM)

Field Conversion Kit Part No. 61846*

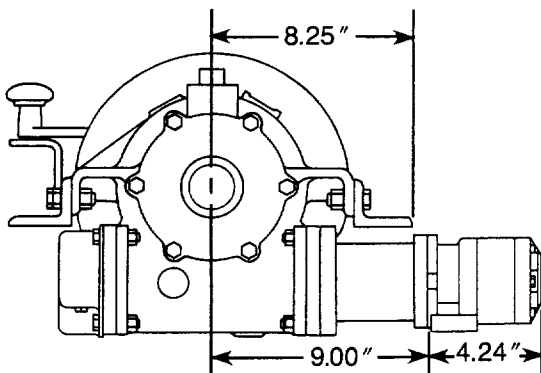


DIRECT MOUNT TWO SPEED

AHSU3 with CHAR-LYN 2000 SERIES
9.6/4.8 cu. in. Two Speed Hydraulic Motor

2500 PSI @ Flows Up to 18 GPM
Low Speed
10,000 lbs. 1st Layer Line Pull
16 FPM 1st Layer Line Speed (@ 18 GPM)
High Speed
4,050 lbs. 1st Layer Line Pull (Static)
32 FPM 1st Layer Line Speed (@ 18 GPM)

Field Conversion Kit Part No. 61847*



CONVENTIONAL ADD-ON ADAPTERS AND MOTORS FOR AMSU3

KIT NO.	MOTOR FLANGE	MOTOR SHAFT
61343	SAE "A" 2 Bolt or 4 Bolt (Mod.)	6B Spline
61332	SAE "A" 2 Bolt or 4 Bolt (Mod.)	1" Keyed
61347	SAE "B" 2 Bolt or 4 Bolt	1" Keyed

PART NO. 61852 - Nichols 050 Series Motor - 10.6 cu. in.
ADAPTER AND MOTOR KIT
2500 PSI @ Flows up to 20 GPM
10,000 LBS. 1st Layer Line Pull (Static)
16 FPM 1st Layer Line Speed (@ 20 GPM)
Motor Length = 4.24" ("A"-2 Bolt Flange, 6B Spline)
And Motor Adapter

*Kit contains all parts including motor to convert AMSU3 to AHSU3.

