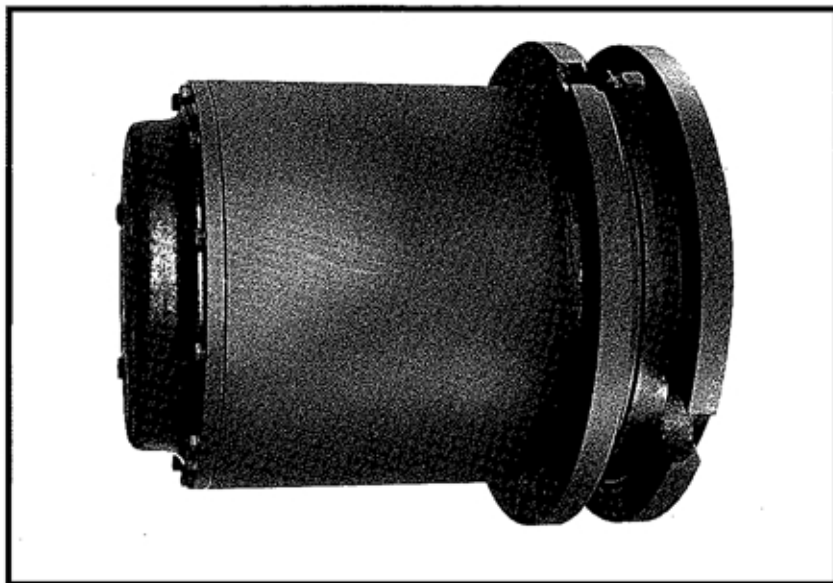


BRADEN

MODEL TD400A

- **Optional input drive adapters available**
- **Planetary gearing provides high mechanical efficiency**
- **Metal face O-ring seals provide positive sealing**
- **Tapered roller bearings provide high radial and thrust load capacity**
- **Optional reduction ratios from 14:1 to 129:1**
- **Integral multiple disc brake with over-running clutch, or effective both directions**
- **Compact design suitable for track, wheel and drum drive applications**
- **Available in double or triple planetary configurations**



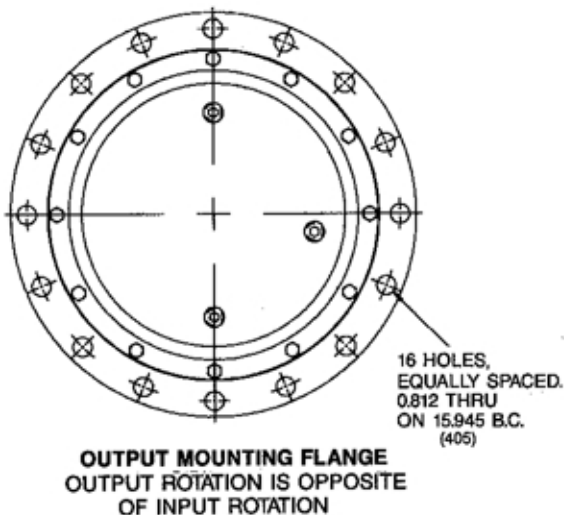
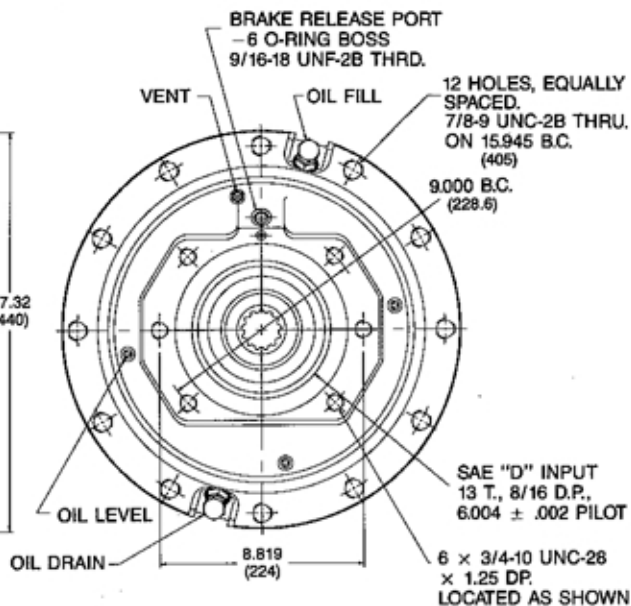
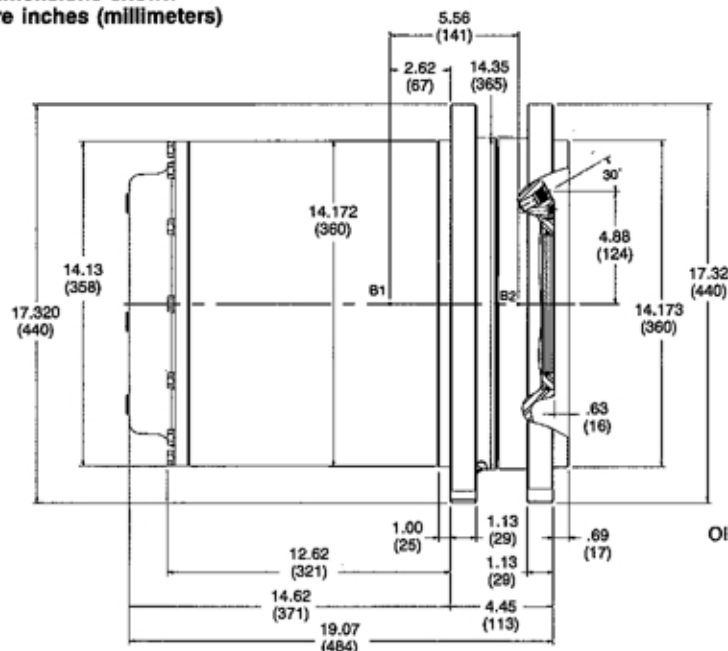
600,000 LB-IN OUTPUT HIGH EFFICIENCY PLANETARY TRACK DRIVE

Distributed by:

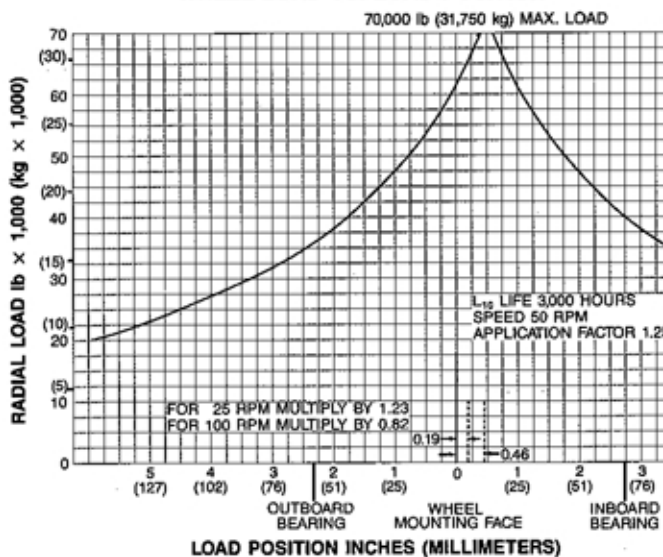
BRADEN TD400A

DIMENSIONAL INFORMATION

Dimensions shown
are inches (millimeters)



**TD400
WHEEL LOAD VS. LOAD POSITION**



SPECIFICATIONS: TD400A-69B-03536

Rated Output Torque	600,000 lb•in. (67,800 N•m)
Rated Output Speed	25 rpm
Reduction Ratio (Range)	14:1 to 129:1
Motor Mounting Pad	SAE "C" OR "D" OR METRIC "PLUG-IN"
Brake Torque Rating	9,500 lb•in. (1,073 N•m)
Brake Release Pressure	250 psi (17.6 kg/cm ²)
Weight	580 lb (263 kg)

PACCAR WINCH DIVISIONS

P.O. BOX 547 • BROKEN ARROW, OK 74013
PHONE: (918) 251-8511 • FAX: (918) 258-4822