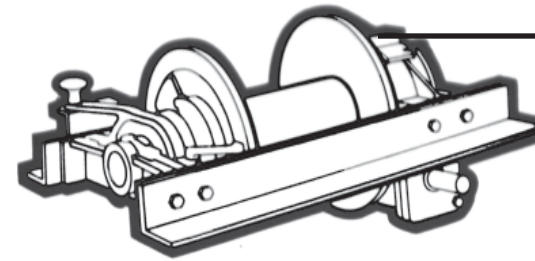
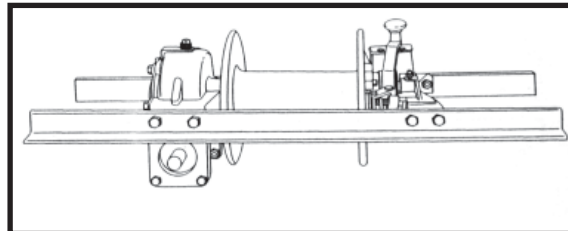


# MATERIAL LIST

## BRADEN

AMSU3  
AHSU3



**WINCH MODEL NUMBER**  
**WINCH SERIAL NUMBER**

Most Braden winches have a raised pad on the housing which is embossed with the model and serial numbers of the winch. Since both of these numbers are extremely important in the shipment of the proper replacement parts, your order should always reference these numbers.

**FOR BEST RESULTS, USE ONLY FACTORY CERTIFIED REPLACEMENT PARTS!**

### TO ORDER:

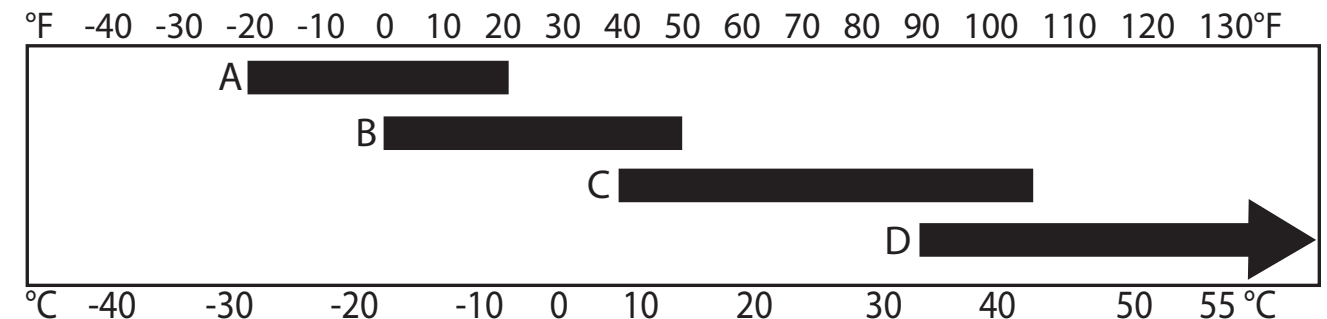
- 1) List model and serial numbers of the winch.
- 2) Refer to illustrations and select the component(s) needed and note item number.
- 3) Find item number on material list, show part number, description and quantity on your order.
- 4) Refer to parts price list and show price for each component or assembly.

### SPECIFICATIONS

#### RECOMMENDED PLANETARY GEAR OIL:

We have published the following specification to help you determine which lubricant is best suited to your application. For simplicity, Braden has listed one readily available product in each temperature range which has been tested and found to meet our specifications. This is not to say that other lubricant brands would not perform equally as well.

If the following lubricant brands are not available in your area, make certain your lubricant vendor supplies you with oil that is equivalent to those products listed below.



- °C -40 -30 -20 -10 0 10 20 30 40 50 55°C
- A. AGMA Grade 3 EP; Mobilgear 600xp 100 or equivalent  
 B. AGMA Grade 5 EP; Mobilgear 600xp 220 or equivalent  
 C. AGMA Grade 7 EP; Mobilgear 600xp 460 or equivalent  
 D. AGMA Grade 8 EP; Mobilgear 600xp 680 or equivalent

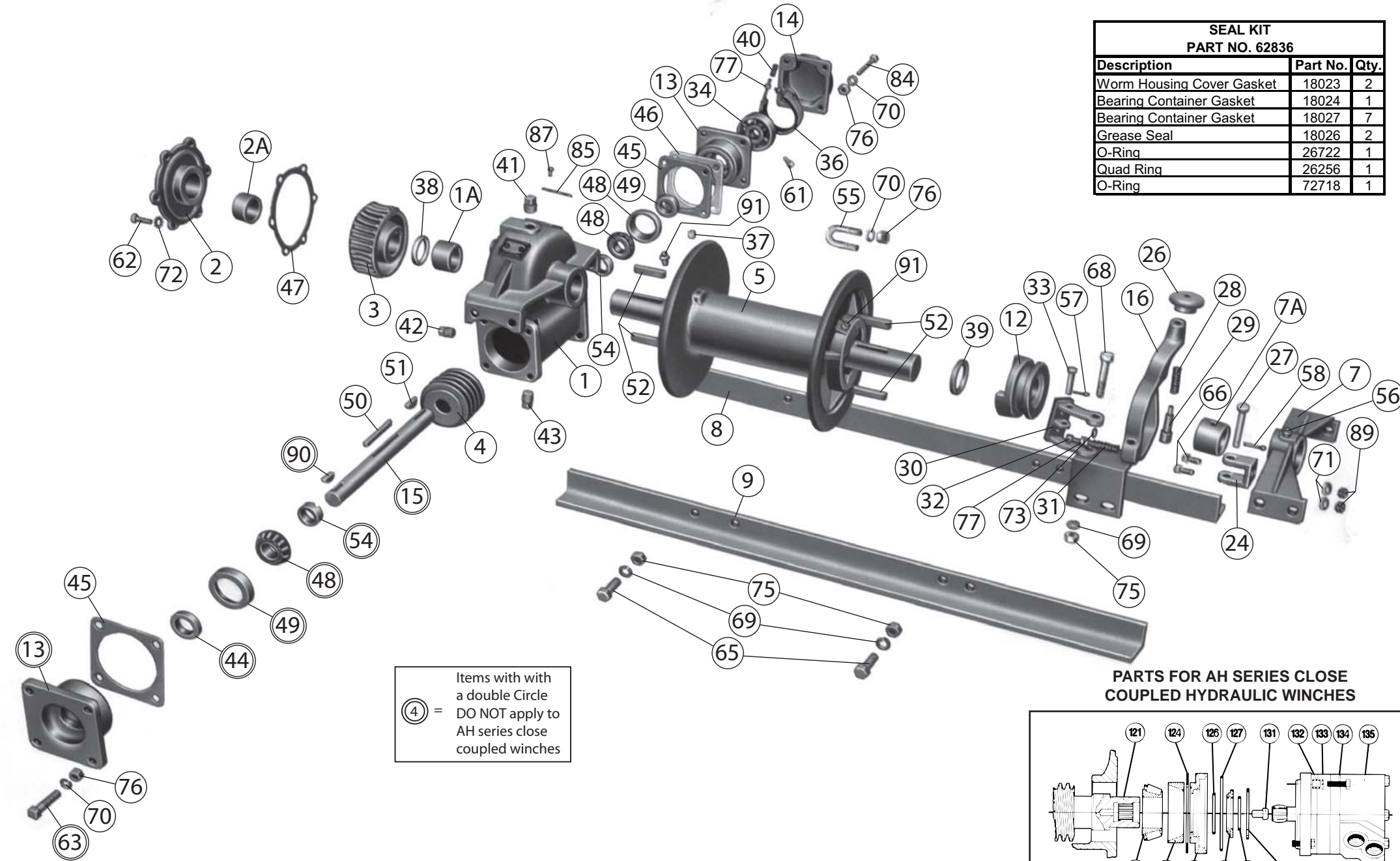
#### Brand recommendations in tier C climate range:

- MOBIL Mobilgear 600xp 460
- SHELL Omala 460
- CHEVRON Gear Compounds EP460
- TEXACO Meropa 460

### ⚠ WARNING ⚠

**DO NOT** use aftermarket additives in worm gear oil. Some additives may contain substances which could cause glazing of the brake discs or impede the firm locking action in the brake rotor assembly. Both symptoms could reduce load control which may result in property damage, severe personal injury or death

# BRADEN AMSU3-10F, AMSU3-FEB, AMSU3-10FEEB, AND AH SERIES WITH CLOSE COUPLED HYDRAULIC MOTORS

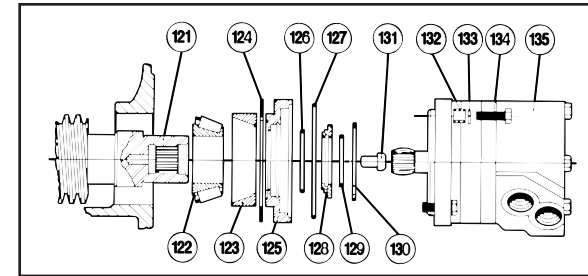


SEAL KIT PART NO. 62836		
Description	Part No.	Qty.
Worm Housing Cover Gasket	18023	2
Bearing Container Gasket	18024	1
Bearing Container Gasket	18027	7
Grease Seal	18026	2
O-Ring	26722	1
Quad Ring	26256	1
O-Ring	72718	1

GASKET KIT - PART NO. 61023 (AMU3 ONLY)			
ITEM	DESCRIPTION	PART NO.	QTY.
44	Grease Seal	18026	2
45	Bearing Container Gasket	18027	6
46	Bearing Container Gasket	18024	1
47	Worm Housing Cover Gasket	18023	2

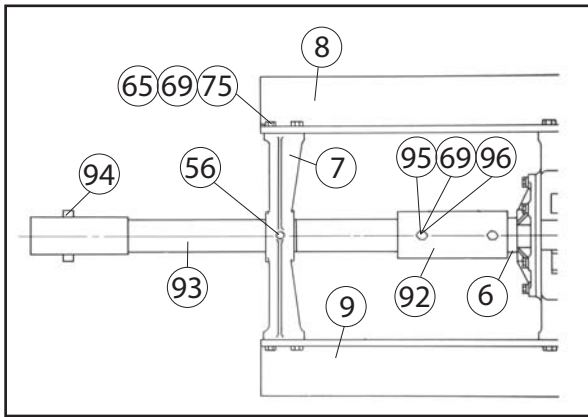
BASIC MATERIAL LIST			
ITEM	DESCRIPTION	PART NO.	QTY.
1	Worm Hsg. Assy. (includes Item 1A)	81068	1
1A	Worm Hsg. Bushing	12904	1
2	Worm Hsg. Cover (includes Item 2A)	81037	1
2A	Worm Hsg. Bushing	18078	1
3	Worm Gear, Left	11237	1
	Worm Gear, Right	11238	1
4	Worm, Left	18011	1
	Worm, Right	18012	1
5	Cable Drum	18040	1
12	Sliding Clutch	18039	1
13	Container-Bearing	23303	2
14	Brake Housing	18032	1
16	Shifter Fork	11376	1
24	Shifter Fork Bracket	11346	1
25	Shifter Fork Locating Bracket	11377	1
26	Shifter Fork Handle	18022	1
27	Pivot Pin	18021	1
28	Shifter Fork Spring	11310	1
29	Handle Stem	11309	1
30	Brake Shoe Assembly	88003	1
31	Drag Brake Spring	11372	1
32	Brake Shoe Link	18018	1
33	Pin, Clevis (Brake Shoe Link)	18017	1
34	Brake Drum	18028	1
36	Brake Band Assembly	21925	1
37	Set Screw	12206	1
38	Thrust Ring	11240	1
39	Retainer Ring	18019	1
40	Brake Band Spring	18029	1
41	Plug	22775	1
42	Pipe Plug	18009	1
43	Plug	19045	1
44	Grease Seal	18026	2
45	Bearing Container Gasket (1/32)	18027	4
46	Bearing Container Gasket (1/64)	18024	3
47	Worm Housing Cover Gasket	18023	3
48	Bearing Cone	18015	2
49	Bearing Cup	18016	2
50	Worm Key	18030	1
51	Key	10078	1
52	Key	18020	4
54	Worm Bearing Spacer	11308	2
55	Cable Clamp	11513	1
57	Cotter Pin	11078	1
58	Cotter Pin	18008	1
61	Set Screw	12075	1
62	Capscrew (3/8 - 16 NC x 1 G8 Z)	104309	6
63	Capscrew (3/8 - 16 NC x 2 G8 Z)	104136	4
66	Capscrew (1/4 - 20 NC x 2 G8 Z)	21462	2
70	Lockwasher (3/8)	27152	10
71	Lockwasher (1/4)	11015	2
72	Washer (3/8 external tooth)	11013	6
73	Washer (1/4)	11072	1
76	Nut (3/8 - 16 NC)	11780	10
77	Nut (1/4 - 28 NF JAM)	13468	6
84	Capscrew (3/8 - 16 NC x 1-3/4 G8 Z)	104311	4
85	SAE Plate - AMSU3-10F	23247	1
86	Warning Plate	23310	1
87	Drive Screw	11842	4
89	Nut (1/4 - 20 NC)	11761	2
91	Grease Fitting	11799	2

## PARTS FOR AH SERIES CLOSE COUPLED HYDRAULIC WINCHES



MATERIAL LIST VARIABLES AH SERIES			
ITEM	DESCRIPTION	PART NO.	QTY.
121	Worm Shaft	26020	1
122	Bearing Cone	26258	1
123	Bearing Cup	26257	1
124	Bearing Container Gasket (1/64)	18024	3
	Bearing Container Gasket (1/32)	18027	4
125	Bearing Container	26017	1
126	O-Ring	26722	1
127	O-Ring	72718	1
128	Seal Container	26255	1
129	Snap Ring	25700	1
130	Quad Ring	26256	1
131	Rest Button	26263	1
132	Bushing	26351	4
133	Lockwasher (3/8)	27152	4
134	Capscrew (3/8 - 16 x 2-1/4 G8 Z)	104134	4
134A	Hex Nut (3/8)	11780	4
	Motor (9.7 cu. in.) Std.	26311	1
	Motor (6.2 cu. in.) Optional	26309	1
	Motor (Two Speed)	101165	1

## PARTS FOR "EB AND EEB" EXTENSION SHAFT



MATERIAL LIST VARIABLES							
ITEM	DESCRIPTION	AMU3-10F		AMU3-10FEB		AMU3-10FEEB	
		PART NO.	QTY.	PART NO.	QTY.	PART NO.	QTY.
6	Cable Drum Shaft	11201	1	13624	1	13624	1
7	Bearing Leg Assembly (Includes Item 7A)	81069	1	81069	2	81069	3
7A	Worm Housing Bushing	18078	1	18078	2	18078	3
8	Front Base Angle	12899	1	13627	1	13627	1
9	Rear Base Angle	12900	1	13628	1	13628	1
15	Worm Shaft	23470	1	23470	1	23470	1
56	Grease Fitting	18047	1	18047	2	18047	3
65	Capscrew (1/2 - 13 NC x 1-1/2 G8 Z)	104322	8	104322	12	104322	16
68	Capscrew (1/2 - 13 NC x 1-1/4 G8 Z)	104174	1	104174	1	104174	1
69	Lockwasher (1/2)	11026	9	11026	15	11026	19
75	Nut (1/2 - 13 NC)	101439	9	101439	13	101439	17
90	Key	18044	1	18044	1	18044	1
92	Coupling	---	---	22921	1	22921	2
93	Extension Shaft	---	---	13625	1	13625	2
94	Capstan Pin	---	---	11980	1	11980	2
95	Capscrew (1/2 - 20 NF x 3-1/2 G8 Z)	---	---	21686	2	21686	4
96	Nut (1/2 - 20 NF)	---	---	22701	2	22701	4