

# MODEL 50B-PS WINCH for Dresser TD 12 (Power Shift) TRACTORS

# CARCO®

## for DRESSER

Model 50B-PSC Specifications on Reverse Side

### SPECIFICATIONS

#### CABLE DRUM SIZE

Barrel Diameter .....10 in. (254 mm)  
 Flange Diameter .....19 7/8 in. (504 mm)  
 Barrel Length .....12 3/8 in. (314 mm)

#### MAXIMUM CABLE CAPACITY & FERRULE

3/4 in. (19 mm) . . .319 ft (97 m) Ferrule P/N 29424 (Standard)  
 7/8 in. (22 mm) . . .226 ft (69 m) Ferrule P/N 29425 (Optional)  
 1 in. (25 mm) . . .154 ft (47 m) Ferrule P/N 29426 (Optional)

NOTE: Use six strand IWRC wire rope with Carco ferrules.

#### HYDRAULIC SYSTEM

Oil Capacity .....78 qts (74 L)  
 Hydraulic Pressure for Winch Control is 400 psi (28.1 kg/CM<sup>2</sup>)  
 Hydraulic Pump is Gear Type

Applied Weight, w/oil, w/o cable. . . 2,320 lbs. (1,053 kg)  
 Winch Overall Ratio (Standard PS): 47.0  
 Optional Ratios: Consult Factory

#### OPTIONS

- Free Spool Drum
- Gear Ratios
- 3 Roller Fairlead
- 4 Roller Fairlead
- Extended Draw Bar

#### PERFORMANCE:

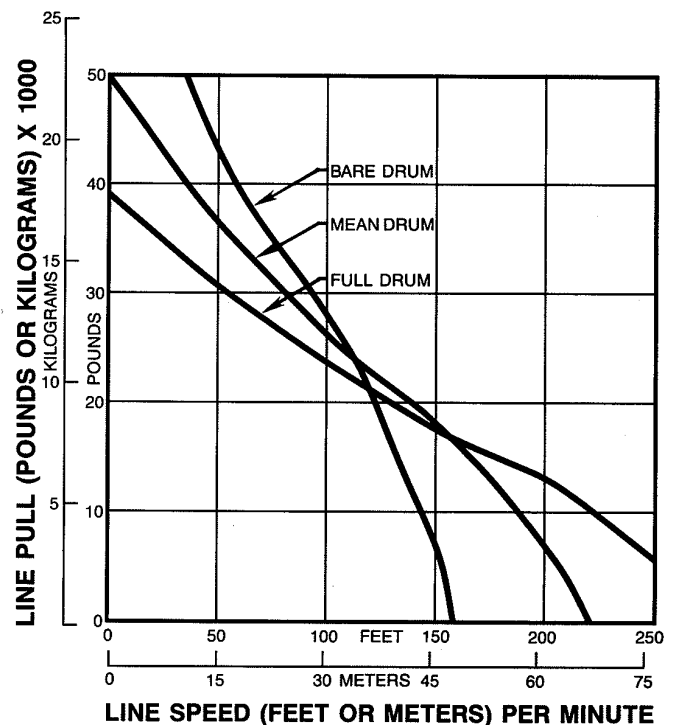
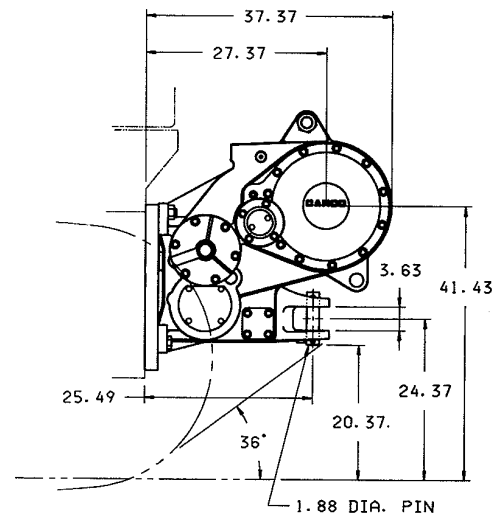
WINCH LINE SPEED AND LINE PULL specifications based on 110 tractor HP at 2400 rpm. Graph is based on power-take-off at full engine throttle.

Winch line speeds and line pulls will vary with torque converter output. Torque converter output is dependent on engine load and speed. This tractor is capable of producing input torque to the winch which can result in line pulls in excess of the rated capacity 50,000 pounds (22,680 kg). For pull over 50,000 pounds, a multipart line and sheave blocks must be used.

Note - Maximum rated line pull is 50,000 lbs. (22,680 kg) and maximum warrantable wire rope diameter is 0.75 inches (19 mm).

#### MODEL DESCRIPTION:

Internal Hydraulic System, Single Lever Control, with Hydraulically Actuated Clutches, Equal Speeds - Forward and Reverse, Multidisc Wet Brake, Heavy Duty Rigid Draw Bar



### PACCAR WINCH DIVISION

P.O. BOX 547 BROKEN ARROW, OK U.S.A. 74013  
 PHONE (918) 251-8511 FAX (918) 259-1575

[www.paccarwinch.com](http://www.paccarwinch.com)

# MODEL 50B-PSC WINCH for Dresser TD 12 (Power Shift) TRACTORS

# CARCO®

## for DRESSER

### SPECIFICATIONS

#### CABLE DRUM SIZE

Barrel Diameter	.....10 in.	(254 mm)
Flange Diameter	.....19 7/8 in.	(504 mm)
Barrel Length	.....12 3/8 in.	(314 mm)

#### MAXIMUM CABLE CAPACITY & FERRULE

3/4 in. (19 mm)	...319 ft (97 m)	Ferrule P/N 29424 (Standard)
7/8 in. (22 mm)	...226 ft (69 m)	Ferrule P/N 29425 (Optional)
1 in. (25 mm)	...154 ft (47 m)	Ferrule P/N 29426 (Optional)

NOTE: Use six strand IWRC wire rope with Carco ferrules.

#### HYDRAULIC SYSTEM

Oil Capacity	.....78 qts (74 L)
Hydraulic Pressure for Winch Control	is 400 psi (28.1 kg/CM <sup>2</sup> )
Hydraulic Pump	is Gear Type

Applied Weight, w/oil, w/o cable. . . . 2,320 lbs. (1,053 kg)

Winch Overall Ratio (Standard PSC): 112.8

Optional Ratios: Consult Factory

#### OPTIONS

- Free Spool Drum
- 3 Roller Fairlead
- 4 Roller Fairlead
- Extended Draw Bar

#### PERFORMANCE:

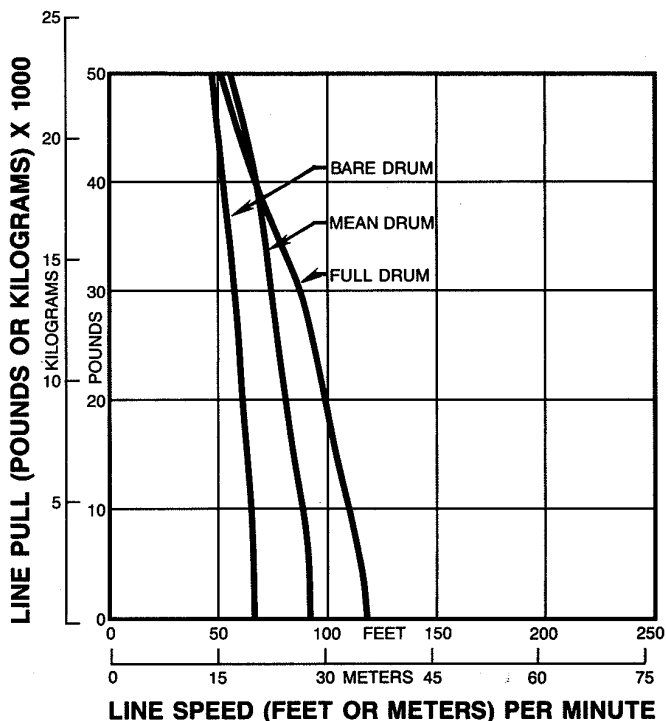
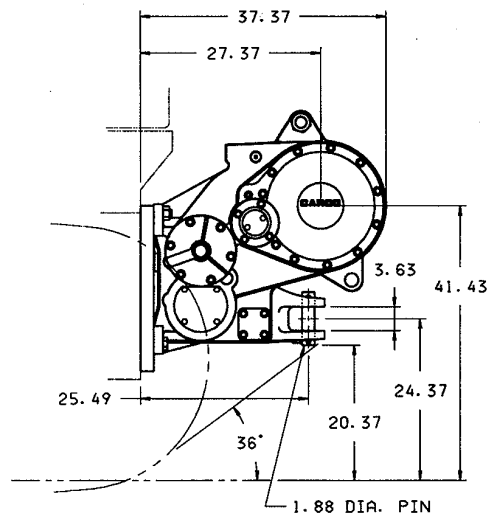
WINCH LINE SPEED AND LINE PULL specifications based on 110 tractor HP at 2400 rpm. Graph is based on power-take-off at full engine throttle.

Winch line speeds and line pulls will vary with torque converter output. Torque converter output is dependent on engine load and speed. This tractor is capable of producing input torque to the winch which can result in line pulls in excess of the rated capacity 50,000 pounds (22,680 kg). For pull over 50,000 pounds, a multipart line and sheave blocks must be used.

Note - Maximum rated line pull is 50,000 lbs. (22,680 kg) and maximum warrantable wire rope diameter is 0.75 inches (19 mm).

#### MODEL DESCRIPTION:

Internal Hydraulic System, Dual Lever Control, with Hydraulically Actuated Clutches, Equal Speeds - Forward and Reverse, Manual Override Multidisc Wet Brake, Heavy Duty Rigid Draw Bar



## PACCAR WINCH DIVISION

P.O. BOX 547 BROKEN ARROW, OK U.S.A. 74013

PHONE (918) 251-8511 FAX (918) 259-1575

[www.paccarwinch.com](http://www.paccarwinch.com)