

# MODEL 70A-PS WINCH for Dresser TD15E (Power Shift) TRACTORS

# CARCO®

## for DRESSER

Model 70A-PSC Specifications on Reverse Side

### SPECIFICATIONS

#### CABLE DRUM SIZE

Barrel Diameter .....10 in. (254 mm)  
 Flange Diameter .....19 7/8 in. (504 mm)  
 Barrel Length .....12 3/8 in. (314 mm)

#### MAXIMUM CABLE CAPACITY & FERRULE

3/4 in. (19 mm) . . . . .319 ft (97 m) Ferrule P/N 29424 (Optional)  
 7/8 in. (22 mm) . . . . .226 ft (69 m) Ferrule P/N 29425 (Standard)  
 1 in. (25 mm) . . . . .154 ft (47 m) Ferrule P/N 29426 (Optional)

NOTE: Use six strand IWRC wire rope with Carco ferrules.

#### HYDRAULIC SYSTEM

Oil Capacity .....78 qts (74 Liters)  
 Hydraulic Pressure  
 for Winch Control is. . . . . 400 psi (28.1 kg/CM<sup>2</sup>)  
 Hydraulic Pump is Gear Type

Applied Weight, w/Oil, w/o Cable. . . 2,420 lbs. (1,099 kg)  
 Winch Overall Ratio (Standard PS): 40:4  
 Optional Ratios: Consult Factory

#### OPTIONS

- Free Spool Drum
- Gear Ratios
- 3 Roller Fairlead
- 4 Roller Fairlead
- Extended Draw Bar

#### PERFORMANCE:

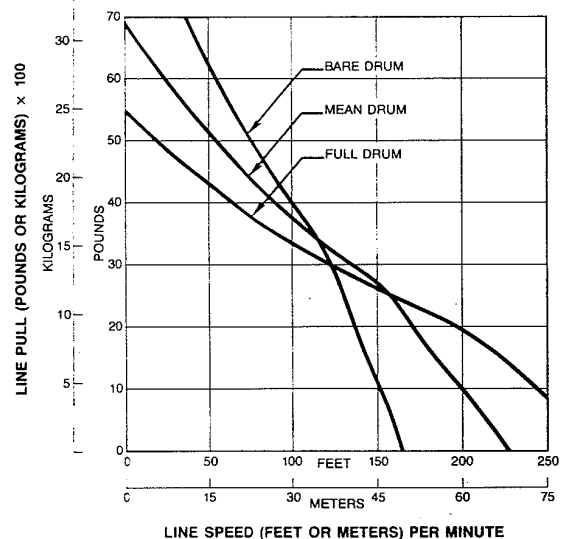
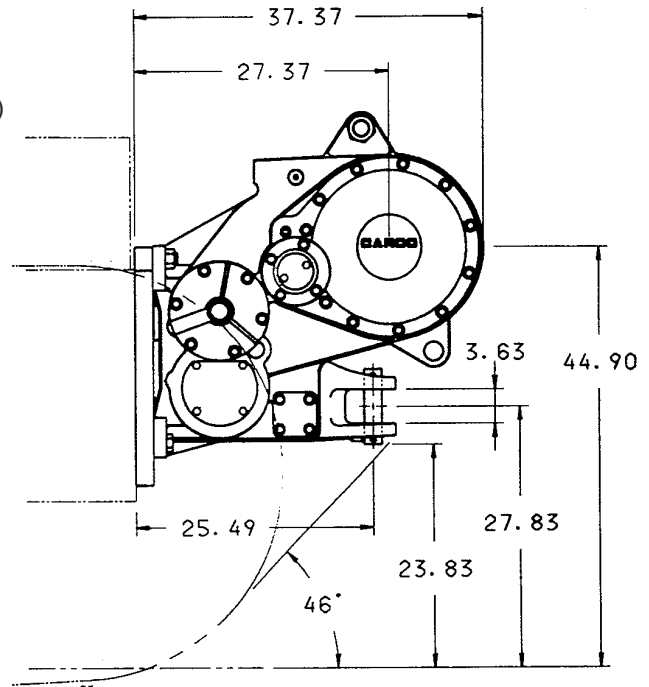
WINCH LINE SPEED AND LINE PULL specifications based on 165 tractor HP at 2100 rpm. Graph is based on power-take-off at full engine throttle.

Winch line speeds and line pulls will vary with torque converter output. Torque converter output is dependent on engine load and speed. This tractor is capable of producing input torque to the winch which can result in line pulls in excess of the rated capacity 70,000 pounds (31,750 kg). For pull over 70,000 pounds, a multipart line and sheave blocks must be used.

Note - Maximum rated line pull is 70,000 lbs. (31,750 kg) and maximum warrantable wire rope diameter is 1.0 inch (25 mm).

#### MODEL DESCRIPTION:

Internal Hydraulic System, Single Lever Control, with Hydraulically Actuated Clutches, Equal Speeds - Forward and Reverse, Multidisc Oil Brake, Heavy Duty Rigid Draw Bar



## PACCAR WINCH DIVISION

P.O. BOX 547 BROKEN ARROW, OK U.S.A. 74013  
 PHONE (918) 251-8511 FAX (918) 259-1575

[www.paccarwinch.com](http://www.paccarwinch.com)

# MODEL 70A-PSC WINCH for Dresser TD15E (Power Shift) TRACTORS

# CARCO®

## for DRESSER

### SPECIFICATIONS

#### CABLE DRUM SIZE

Barrel Diameter . . . . .10 in. (254 mm)  
 Flange Diameter . . . . .19 7/8 in. (504 mm)  
 Barrel Length . . . . .12 3/8 in. (314 mm)

#### MAXIMUM CABLE CAPACITY & FERRULE

3/4 in. (19 mm) . . . . .319 ft (97 m) Ferrule P/N 29424 (Optional)  
 7/8 in. (22 mm) . . . . .226 ft (69 m) Ferrule P/N 29425 (Standard)  
 1 in. (25 mm) . . . . .154 ft (47 m) Ferrule P/N 29426 (Optional)  
 NOTE: Use six strand IWRC wire rope with Carco ferrules.

#### HYDRAULIC SYSTEM

Oil Capacity . . . . .78 qts (74 L)  
 Hydraulic Pressure  
 for Winch Control is. . . . . 400 psi (28.1 kg/CM<sup>2</sup>)  
 Hydraulic Pump is Gear Type

Applied Weight, w/oil, w/o cable. . . 2,420 lbs. (1,099 kg)  
 Winch Overall Ratio (Standard PS): 85.3

#### OPTIONS

- Free Spool Drum
- 3 Roller Fairlead
- 4 Roller Fairlead
- Extended Draw Bar

#### PERFORMANCE:

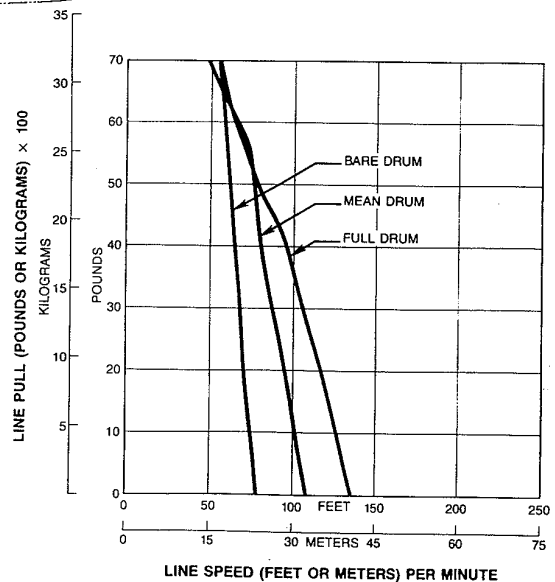
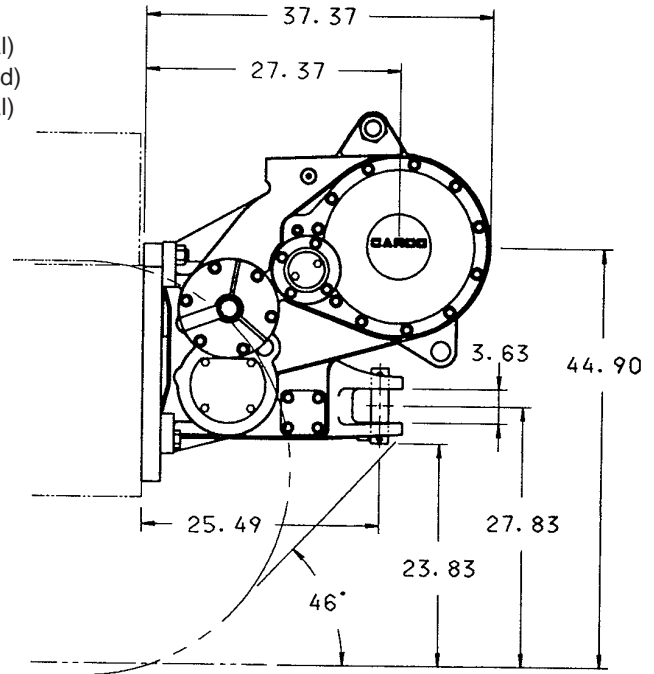
WINCH LINE SPEED AND LINE PULL specifications based on 165 tractor HP at 2100 rpm. Graph is based on power-take-off at full engine throttle.

Winch line speeds and line pulls will vary with torque converter output. Torque converter output is dependent on engine load and speed. This tractor is capable of producing input torque to the winch which can result in line pulls in excess of the rated capacity 70,000 pounds (31,750 kg). For pull over 70,000 pounds, a multipart line and sheave blocks must be used.

Note - Maximum rated line pull is 70,000 lbs. (31,750 kg) and maximum warrantable wire rope diameter is 1.0 inch (25 mm).

#### MODEL DESCRIPTION:

Internal Hydraulic System, Dual Lever Control, with Hydraulically Actuated Clutches, Equal Speeds - Forward and Reverse, Manual Override Multidisc Oil Brake, Heavy Duty Rigid Draw Bar



**PACCAR WINCH DIVISION**  
 P.O. BOX 547 BROKEN ARROW, OK U.S.A. 74013  
 PHONE (918) 251-8511 FAX (918) 259-1575  
[www.paccarwinch.com](http://www.paccarwinch.com)