

MODEL 50B-PS WINCH for Caterpillar D5H-XL SERIES II TRACTORS

CARCO®

for CATERPILLAR

Caterpillar and Cat are Trademarks of Caterpillar Inc.

MODEL DESCRIPTION:

Internal hydraulic system with suction and pressure circuit filtration, gear type pump and maintenance-free spring-type accumulator. Single lever control of hydraulically actuated multi-disc wet clutches and brake. Equal speed gearing forward and reverse. Rigid cast nodular iron case with cast, pin-on fairlead mounting lugs and heavy duty drawbar.

SPECIFICATIONS:

CABLE DRUM SIZE:

Barrel Diameter 10 in. (254 mm)
 Flange Diameter 19⁷/₈ in. (504 mm)
 Barrel Length 13 in. (330 mm)
 Applied Weight w/o Oil,
 w/o Cable 2,600 lb (1180 kg)
 Maximum Cable Capacity & Ferrule
 3/4 in. (19 mm) 400 ft (122 m) P/N 29424

HYDRAULIC SYSTEM:

Oil Capacity 85 qt (80 L)
 Hydraulic Pressure for
 Winch Control 400 psi (2758 kPa)
 Hydraulic Pump is Gear-Type
 Accumulator is Spring-Type

OPTIONS:

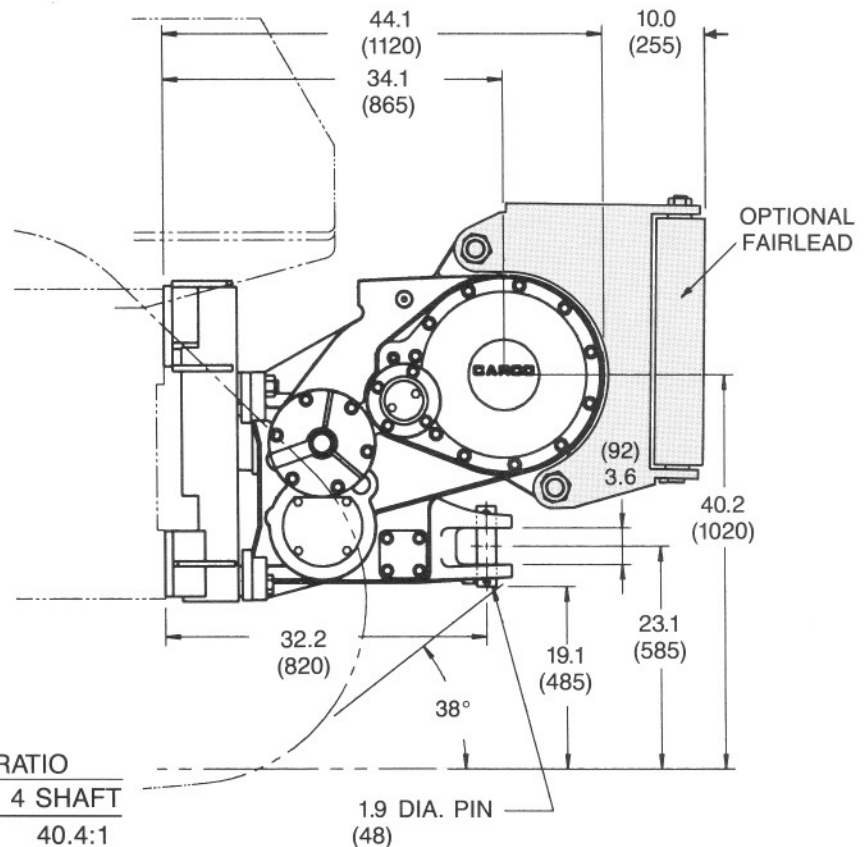
- Slow Speed Gear Ratio
- Free Spooling Drum
- 3 or 4 Roller Fairlead
- Logging Arch
- * Manual Override Brake System
(Includes Slow Speed Gear Ratio)

* The Manual Override (MOR) brake system utilizes the same brake housing, brake springs and brake discs as the standard brake but adds an additional MOR brake piston which is controlled by a separate control valve installed near the operator to provide very precise load control. Please refer to the Operators Manual, publication PC-104 and the Service Manual, publication PC-137 for additional information **before** ordering the Manual Override Brake option.

GEAR RATIOS:

Winch Overall Ratio:
 Standard Speed 47.0:1
 Slow Speed 112.8:1
 Optional Ratios:

CODE	BEVEL GEAR RATIO	OVERALL RATIO	
		3 SHAFT	4 SHAFT
A	1.00:1	22.3:1	40.4:1
B	1.27:1	28.3:1	51.4:1
C	1.64:1	36.6:1	66.3:1
D	2.11:1	47.0:1	85.3:1
E	2.78:1	62.2:1	112.8:1



PACCAR WINCH DIVISIONS

P.O. BOX 547 • BROKEN ARROW, OK 74013
 PHONE: (918) 251-8511 • FAX: (918) 258-4822

PERFORMANCE GRAPHS:

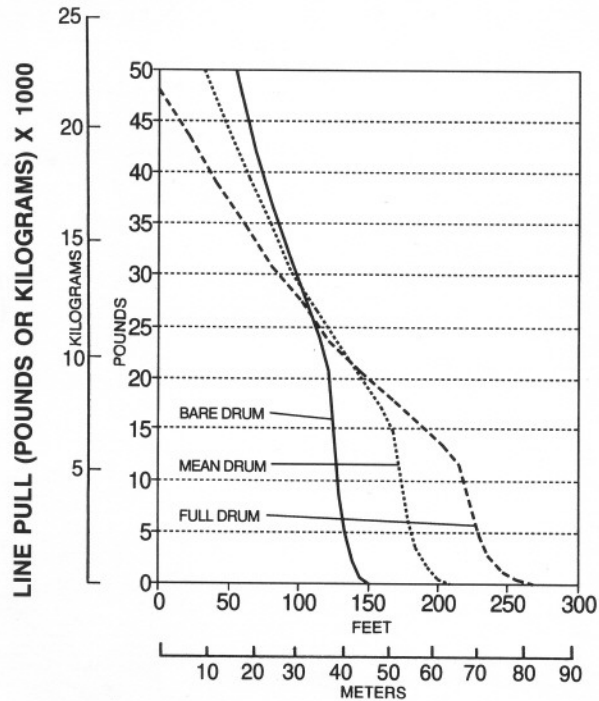
Winch performance graphs are based on power-take-off at full engine throttle. Performance data shown is calculated at rated winch efficiency of 93% using .75 inch (19 mm) cable.

Winch line speeds and line pulls will vary with torque convertor output. Torque convertor output is dependent on engine load and speed. This tractor is capable of producing input torque to the winch which can result in line pulls in excess of the rated capacity 50,000 lb (222 kN). For pull over 50,000 lb, a multipart line and sheave blocks must be used.

Maximum rated line pull is 50,000 lb (222 kN) and maximum rated cable diameter is .75 in. (19 mm).

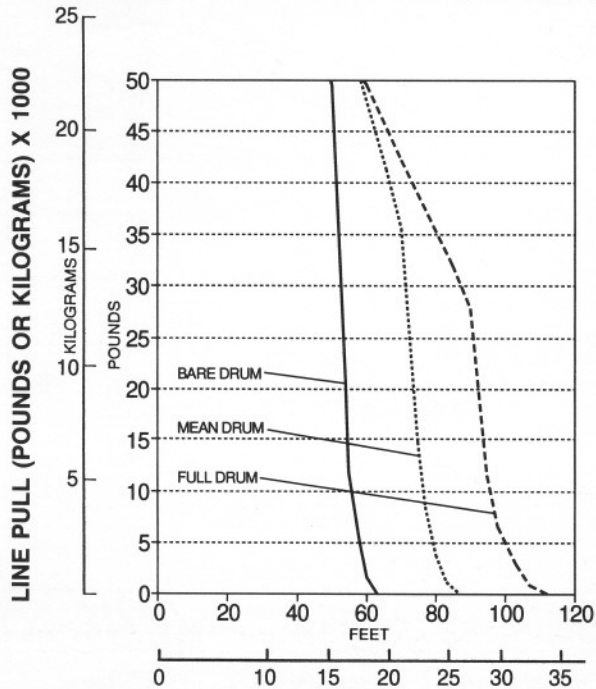
D5H-XL SERIES II — 130 HP @ 2200 RPM

STANDARD SPEED D — 3 SHAFT 2.11:1, 47.0:1 OAR



LINE SPEED (FEET OR METERS) PER MINUTE

SLOW SPEED E — 4 SHAFT 2.79:1, 112.80:1 OAR



LINE SPEED (FEET OR METERS) PER MINUTE