

MODEL 50B-PS WINCH for Caterpillar D5M TRACTORS

CARCO® for CATERPILLAR

Caterpillar and CAT are Trademarks of Caterpillar Inc.

SPECIFICATIONS

CABLE DRUM SIZE

Barrel Diameter10 in. (254 mm)
 Flange Diameter19 7/8 in. (504 mm)
 Barrel Length13 in. (330 mm)

MAXIMUM CABLE CAPACITY & FERRULE

3/4 in. (19 mm)400 ft (122 m) Ferrule P/N 29424

HYDRAULIC SYSTEM

Oil Capacity78 qts (74 L)
 Hydraulic Pressure for
 Winch Control400 psi (2760 kPa)
 Hydraulic Pump is Gear Type
 Accumulator is Spring-Type
 Applied Weight,
 without cable or oil2,600 lbs (1,180 kg)

GEAR RATIOS

Winch Overall Ratio:
 Standard Speed47.0:1
 Slow Speed112.8:1

Optional Ratios:

Code	Bevel Gear Ratio	Overall Ratio	
		3 Shaft	4 Shaft
D	2.11:1	47.0:1	85.3:1
E	2.78:1	62.2:1	112.8:1

	A	B	C	D
D5M XL	37.8	20.7	16.7	38°
	(960)	(526)	(424)	38°
D5M LGP	39.8	22.7	18.7	40°
	(1,010)	(577)	(475)	40°

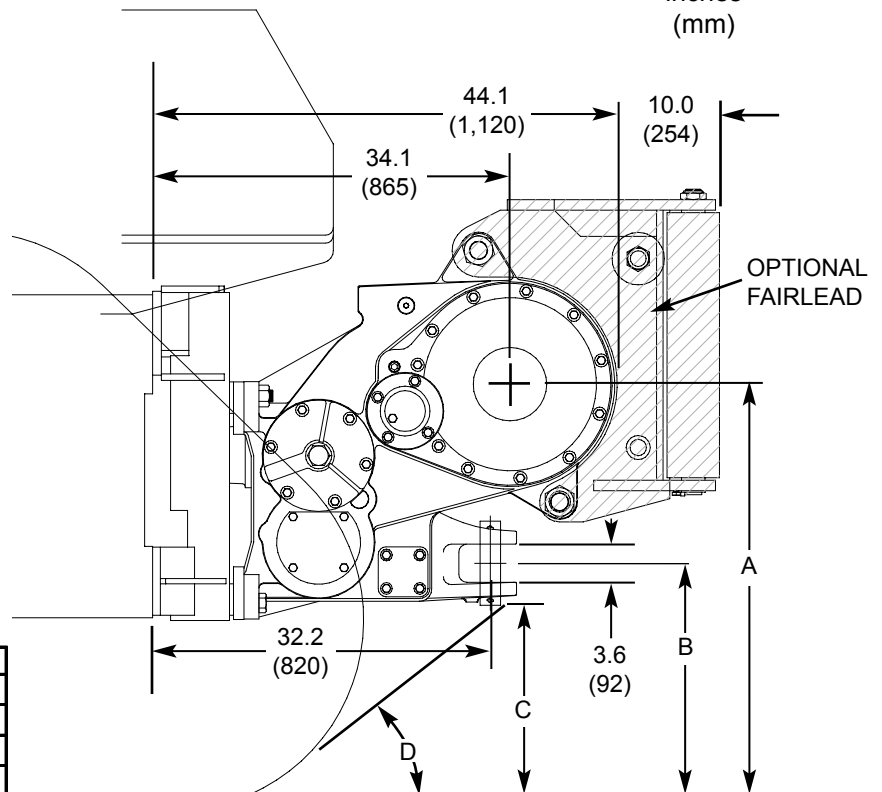
MODEL 50B-PS DESCRIPTION

- Internal Hydraulic System with Gear Type Pump, Pressure Circuit Filtration and Maintenance-Free Spring-Type Accumulator
- Single Lever Push-Pull Cable Control of Hydraulically Actuated Multi-Disc Wet Clutches and Brake; Equal Speeds - Forward and Reverse
- Rigid Cast Nodular Iron Case with Pin-On Fairlead Mounting Lugs and Heavy-Duty Rigid Draw Bar.

OPTIONS

- Free Spool Drum
- Gear Ratios
- 3 Roller Fairlead
- 4 Roller Fairlead
- Electronic Joystick Control

Dimensions shown are
inches
(mm)



PACCAR WINCH DIVISION

P.O. BOX 547 BROKEN ARROW, OK U.S.A. 74013
 PHONE (918) 251-8511 FAX (918) 259-1575

www.paccarwinch.com

Winch line pull and line speed based on specifications noted below, with 0.75 inch (19 mm) diameter wire rope. Performance data shown is theoretical and calculated at 93% efficiency.

NOTE: These tractors are capable of producing input torque to the winch which can result in line pulls in excess of the maximum rated line pull. For pulls over the maximum rating, a multipart line and sheave block must be used.

STANDARD SPEED PERFORMANCE MODEL 50B-PS (Overall Ratio 47.0:1)

D5M			
	Tractor Rating	110 hp @ 2,100 rpm	82 kW @ 2,100 rpm
Bare Drum	Rated Linepull	26,730 lbs	12,120 kg
	Maximum Linepull	51,200* lbs	23,245* kg
	Rated Linespeed	97 fpm	30 mpm
	Maximum Linespeed	151 fpm	46 mpm
Full Drum	Rated Linepull	15,020 lbs	6,813 kg
	Maximum Linepull	36,760 lbs	16,674 kg
	Rated Linespeed	173 fpm	53 mpm
	Maximum Linespeed	269 fpm	82 mpm

SLOW SPEED PERFORMANCE MODEL 50B-PS (Overall Ratio 112.8:1)

D5M			
	Tractor Rating	110 hp @ 2,100 rpm	82 kW @ 2,100 rpm
Bare Drum	Rated Linepull	51,200* lbs	23,245* kg
	Maximum Linepull	51,200* lbs	23,245* kg
	Rated Linespeed	41 fpm	12 mpm
	Maximum Linespeed	63 fpm	19 mpm
Full Drum	Rated Linepull	36,020 lbs	16,338 kg
	Maximum Linepull	51,200* lbs	23,245* kg
	Rated Linespeed	72 fpm	22 mpm
	Maximum Linespeed	112 fpm	34 mpm

* Maximum line pull limited by breaking strength of 0.75 inch (19 mm) IWRC IPS wire rope.