

MODEL 50B-PS WINCH for Caterpillar D6M TRACTORS

CARCO® for CATERPILLAR

Caterpillar and CAT are Trademarks of Caterpillar Inc.

SPECIFICATIONS

CABLE DRUM SIZE

Barrel Diameter10 in. (254 mm)
 Flange Diameter19 7/8 in. (504 mm)
 Barrel Length13 in. (330 mm)

MAXIMUM CABLE CAPACITY & FERRULE

3/4 in. (19 mm) . . .400 ft (122 m) Ferrule P/N 29424 (Recomm.)
 7/8 in. (22 mm) . . .290 ft (88 m) Ferrule P/N 29425 (Optional)

HYDRAULIC SYSTEM

Oil Capacity78 qts (74 L)
 Hydraulic Pressure for
 Winch Control400 psi (2,760 kPa)
 Hydraulic Pump is Gear Type
 Accumulator is Spring-Type
 Applied Weight,
 without cable or oil2,600 lbs (1,180 kg)

MODEL 50B-PS DESCRIPTION

- Internal Hydraulic System with Gear Type Pump, Pressure Circuit Filtration and Maintenance-Free Spring-Type Accumulator
- Single Lever Push-Pull Cable Control of Hydraulically Actuated Multi-Disc Wet Clutches and Brake; Equal Speeds - Forward and Reverse
- Rigid Cast Nodular Iron Case with Pin-On Fairlead Mounting Lugs and Heavy-Duty Rigid Draw Bar.

OPTIONS

- Free Spool Drum
- Gear Ratios
- 3 Roller Fairlead
- 4 Roller Fairlead
- Electronic Joystick Control

GEAR RATIOS

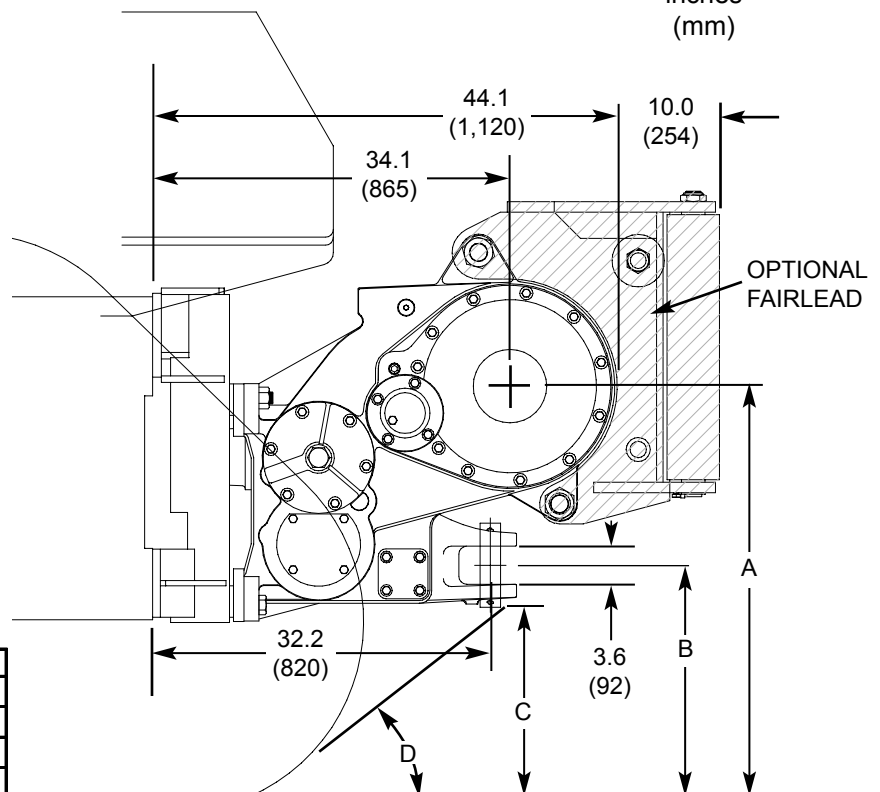
Winch Overall Ratio:
 Standard Speed47.0:1
 Slow Speed112.8:1

Optional Ratios:

Code	Bevel Gear Ratio	Overall Ratio	
		3 Shaft	4 Shaft
D	2.11:1	47.0:1	85.3:1
E	2.78:1	62.2:1	112.8:1

	A	B	C	D
D6M XL	40.5 (1,030)	23.4 (594)	19.4 (493)	38° 38°
D6M LGP	45.0 (1,140)	27.9 (709)	23.9 (607)	42° 42°

Dimensions shown are
inches
(mm)



PACCAR WINCH DIVISION

P.O. BOX 547 BROKEN ARROW, OK U.S.A. 74013
 PHONE (918) 251-8511 FAX (918) 259-1575

www.paccarwinch.com

Winch line pull and line speed based on specifications noted below, with 0.75 inch (19 mm) diameter wire rope. Performance data shown is theoretical and calculated at 93% efficiency.

NOTE: These tractors are capable of producing input torque to the winch which can result in line pulls in excess of the maximum rated line pull. For pulls over the maximum rating, a multipart line and sheave block must be used.

STANDARD SPEED PERFORMANCE MODEL 50B-PS (Overall Ratio 47.0:1)

D6M			
	Tractor Rating	140 hp @ 2,200 rpm	104 kW @ 2,200 rpm
Bare Drum	Rated Linepull	37,510 lbs	17,014 kg
	Maximum Linepull	69,200* lbs	31,417* kg
	Rated Linespeed	94 fpm	29 mpm
	Maximum Linespeed	143 fpm	44 mpm
Full Drum	Rated Linepull	21,080 lbs	9,562 kg
	Maximum Linepull	53,590 lbs	24,471 kg
	Rated Linespeed	168 fpm	51 mpm
	Maximum Linespeed	254 fpm	77 mpm

SLOW SPEED PERFORMANCE MODEL 50B-PS (Overall Ratio 112.8:1)

D6M			
	Tractor Rating	140 hp @ 2,200 rpm	104 kW @ 2,200 rpm
Bare Drum	Rated Linepull	69,200* lbs	31,417* kg
	Maximum Linepull	69,200* lbs	31,417* kg
	Rated Linespeed	39 fpm	12 mpm
	Maximum Linespeed	60 fpm	18 mpm
Full Drum	Rated Linepull	50,570 lbs	22,938 kg
	Maximum Linepull	69,200* lbs	31,417* kg
	Rated Linespeed	70 fpm	21 mpm
	Maximum Linespeed	106 fpm	32 mpm

* Maximum line pull limited by breaking strength of optional size 0.88 inch (22 mm) IWRC IPS wire rope.