

MODEL 70A-PS WINCH for Caterpillar D6R TRACTORS

CARCO® for CATERPILLAR

Caterpillar and CAT are Trademarks of Caterpillar Inc.

SPECIFICATIONS

CABLE DRUM SIZE

Barrel Diameter10 in. (254 mm)
 Flange Diameter19 7/8 in. (504 mm)
 Barrel Length13 in. (330 mm)

MAXIMUM CABLE CAPACITY & FERRULE

7/8 in. (22 mm) .. .290 ft (88 m) Ferrule P/N 29425 (Recomm.)
 1 in. (25 mm) .. .220 ft (67 m) Ferrule P/N 29426 (Optional)

HYDRAULIC SYSTEM

Oil Capacity66 qts (63 L)
 Hydraulic Pressure for
 Winch Control400 psi (2,760 kPa)
 Hydraulic Pump is Gear Type
 Accumulator is Spring-Type
 Applied Weight,
 without cable or oil2,600 lbs (1,180 kg)

MODEL 70A-PS DESCRIPTION

- Internal Hydraulic System with Gear Type Pump, Pressure Circuit Filtration and Maintenance-Free Spring-Type Accumulator
- Single Lever Electronic Control of Hydraulically Actuated Multi-Disc Wet Clutches and Brake; Equal Speeds - Forward and Reverse
- Rigid Cast Nodular Iron Case with Pin-On Fairlead Mounting Lugs and Heavy-Duty Rigid Draw Bar.

OPTIONS

- Free Spool Drum
- Gear Ratios
- 3 Roller Fairlead
- 4 Roller Fairlead

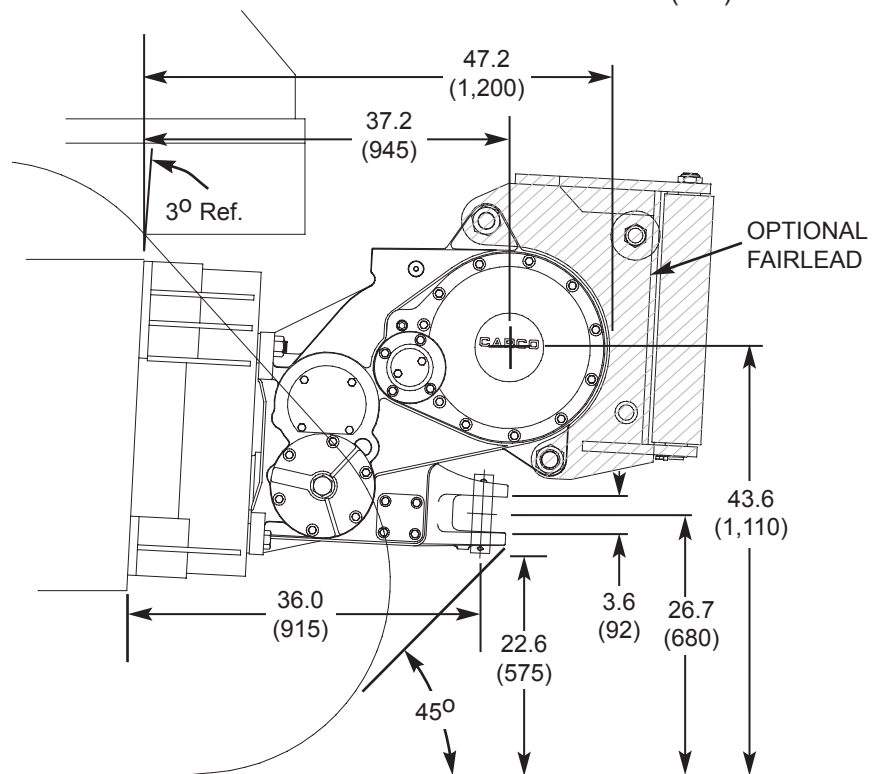
GEAR RATIOS

Winch Overall Ratio:
 Standard Speed51.4:1
 Slow Speed112.8:1

Optional Ratios:

Code	Bevel Gear Ratio	Overall Ratio
B	1.27:1	51.4:1
C	1.64:1	66.3:1
D	2.11:1	85.3:1
E	2.78:1	112.8:1

Dimensions shown are
inches
(mm)



PACCAR WINCH DIVISION

P.O. BOX 547 BROKEN ARROW, OK U.S.A. 74013
 PHONE (918) 251-8511 FAX (918) 259-1575

www.paccarwinch.com

Winch line pull and line speed based on specifications noted below, with 1.0 inch (25 mm) diameter wire rope. Performance data shown is theoretical and calculated at 93% efficiency.

NOTE: These tractors are capable of producing input torque to the winch which can result in line pulls in excess of the maximum rated line pull. For pulls over the maximum rating, a multipart line and sheave block must be used.

STANDARD SPEED PERFORMANCE MODEL 70A-PS (Overall Ratio 51.4:1)

D6R			
	Tractor Rating	165 hp @ 1,800 rpm	123 kW @ 1,800 rpm
Bare Drum	Rated Linepull	54,180 lbs	24,576 kg
	Maximum Linepull	89,800* lbs	40,733* kg
	Rated Linespeed	78 fpm	24 mpm
	Maximum Linespeed	122 fpm	37 mpm
Full Drum	Rated Linepull	31,570 lbs	14,320 kg
	Maximum Linepull	64,970 lbs	29,470 kg
	Rated Linespeed	134 fpm	41 mpm
	Maximum Linespeed	209 fpm	64 mpm

SLOW SPEED PERFORMANCE MODEL 70A-PS (Overall Ratio 112.8:1)

D6R			
	Tractor Rating	165 hp @ 1,800 rpm	123 kW @ 1,800 rpm
Bare Drum	Rated Linepull	89,800* lbs	40,733* kg
	Maximum Linepull	89,800* lbs	40,733* kg
	Rated Linespeed	35 fpm	11 mpm
	Maximum Linespeed	55 fpm	17 mpm
Full Drum	Rated Linepull	69,340 lbs	31,453 kg
	Maximum Linepull	89,800* lbs	40,733* kg
	Rated Linespeed	61 fpm	19 mpm
	Maximum Linespeed	95 fpm	29 mpm

* Maximum line pull limited by breaking strength of optional size 1.0 inch (25 mm) IWRC IPS wire rope.